

PD-POC Double Pilot Operated Check Valve

DESCRIPTION

8 size, 3/4-16 thread, "Power" series, double pilot operated check valve.

OPERATION

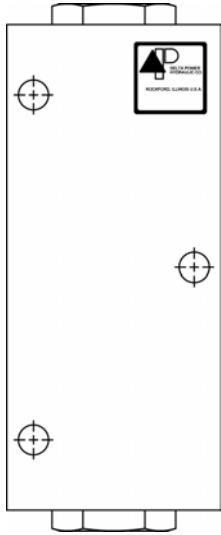
The PD-POC allows flow to pass from (V1) to (C1) and (V2) to (C2). The valve blocks flow from (C1) to (V1) and from (C2) to (V2). Blocked flow is released when pilot pressure is applied to port opposite valve (V1) and/or port (V2) accordingly.

The valve has a 4:1 pilot ratio, so at least .250 of the load pressure at port (C1) or (C2) is required at the pilot lines (ports (V2) or (V1) respectively) to open the flow passage to allow flow from ports (C1) or (C2) respectively.

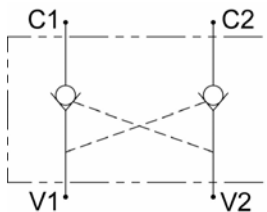
The check is spring-biased at 50 psi (3.4 bar) to assure holding in static or no-load conditions.

FEATURES

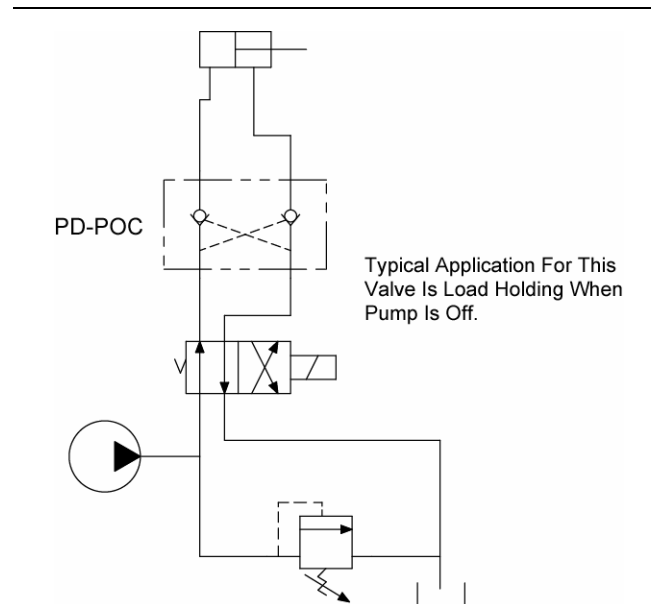
- Hardened internal parts for long life.
- Anodized aluminum body for corrosion protection.



HYDRAULIC SYMBOL



TYPICAL SCHEMATIC

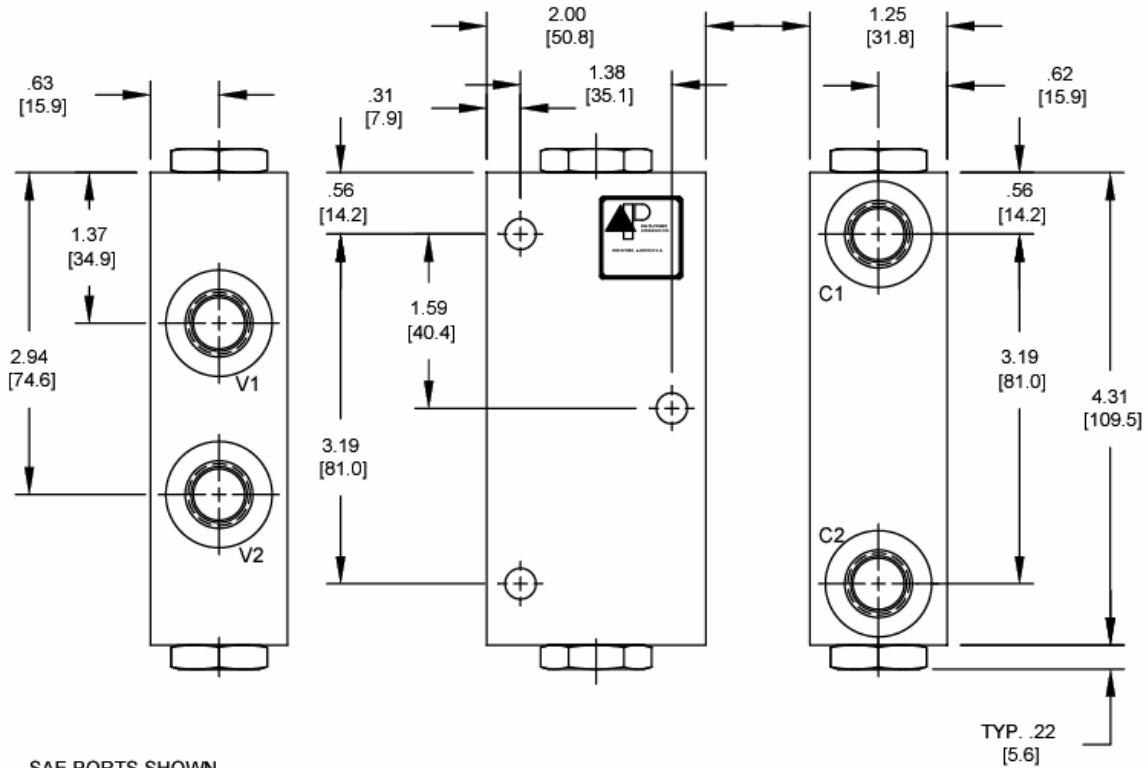


VALVE SPECIFICATIONS

Nominal Flow	10 GPM (38 LPM)
Rated Operating Pressure	3500 PSI (241 bar)
Typical Internal Leakage (150 SSU)	0-5 drops/min
Viscosity Range	36 to 3000 SSU (3 to 647 cSt)
Filtration	30 micron nominal
Pilot Ratio	4 : 1
Media Operating Temperature Range	-40° to 250° F (-40° to 120° C)
Weight	1.2 lbs. (.53kg)
Operating Fluid Media	General Purpose Hydraulic Fluid
Cartridge Torque Requirements	25 ft-lbs (34 Nm)
Cartridge Crack Pressure	50 PSI (3.4 bar)

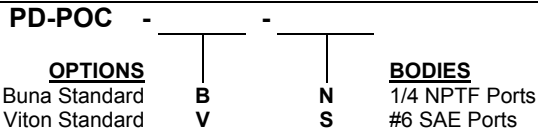
WARNING: The specifications/application data shown in our catalogs and data sheets are intended only as a general guide for the product described (herein). Any specific application should not be undertaken without independent study, evaluation, and testing for suitability.

DIMENSIONS



SAE PORTS SHOWN
MTG. HOLES ARE .28 DIA.
O-RINGS ARE STANDARD ON PISTON ASSEMBLY
CHECK VALVE USED IS A PB-CVC

ORDERING INFORMATION



WARNING: The specifications/application data shown in our catalogs and data sheets are intended only as a general guide for the product described (herein). Any specific application should not be undertaken without independent study, evaluation, and testing for suitability.

Phone: (815) 397-6628

Fax: (815) 397-2526

E-mail: delta@delta-power.com