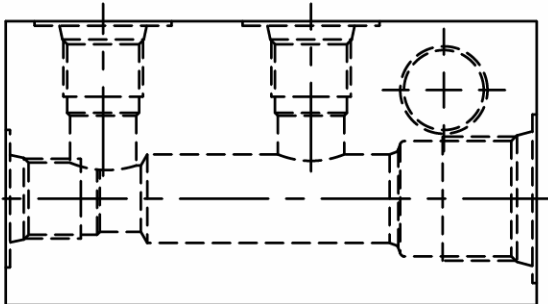


*Pre-Engineered Circuit, Option Model M**

BASE BODY - 20200013 = #6 SAE



BODY WEIGHT: 1.09 lbs. [.49 kg.]

DESCRIPTION

Pre-engineered circuit, option model M*

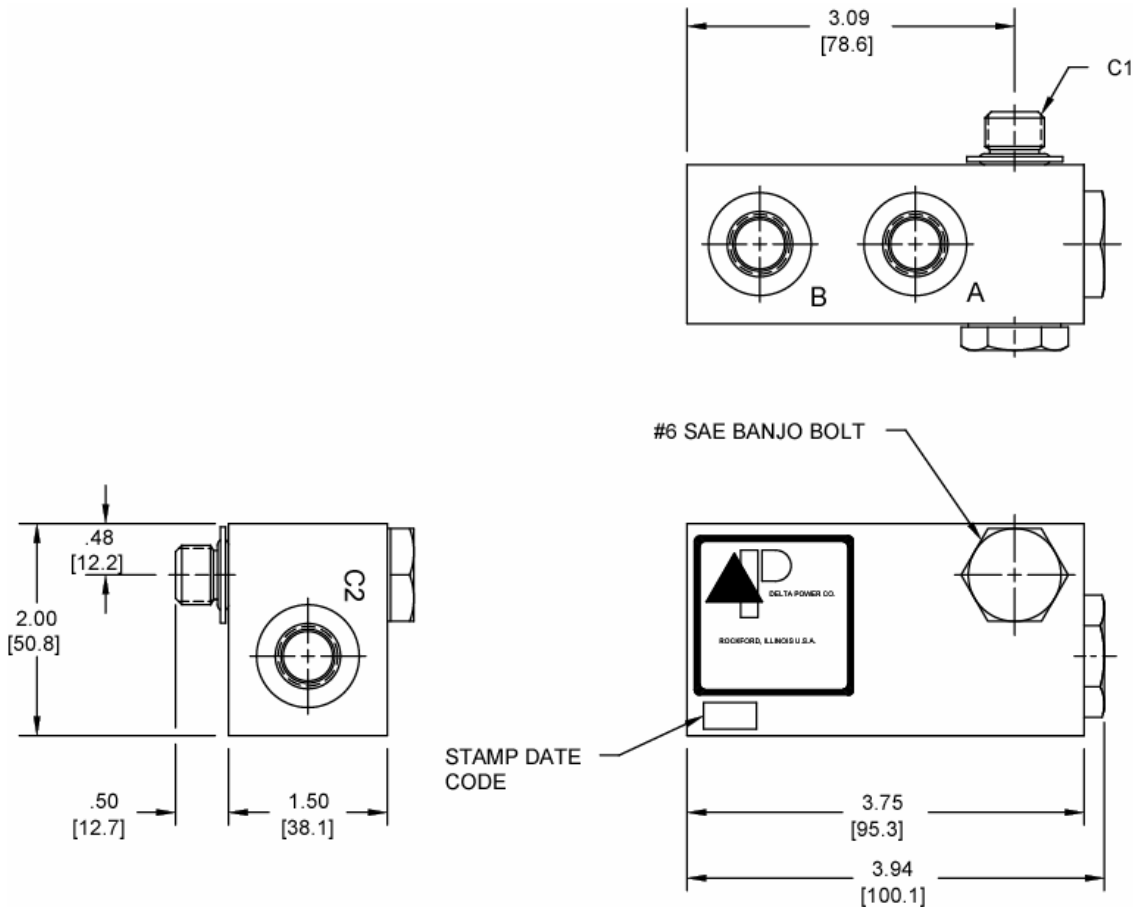
OPERATION

See typical schematic for specific operation.

VALVE SPECIFICATIONS

Nominal Flow	12 GPM (45 LPM)
Rated Operating Pressure	3500 PSI (241 bar)
Viscosity Range	36 to 3000 SSU (3 to 647 cSt)
Filtration	30 micron nominal
Media Operating Temperature Range	-40° to 250° F (-40° to 120° C)
Operating Fluid Media	General Purpose Hydraulic Fluid
Ratio	4 : 1
Cartridge Size	M20 X 1.5
Cartridge Torque Requirements	30 ft-lbs (40.6 Nm)

DIMENSIONS



WARNING: The specifications/application data shown in our catalogs and data sheets are intended only as a general guide for the product described (herein). Any specific application should not be undertaken without independent study, evaluation, and testing for suitability.

Phone: (815) 397-6628

Fax: (815) 397-2526

E-mail: delta@delta-power.com