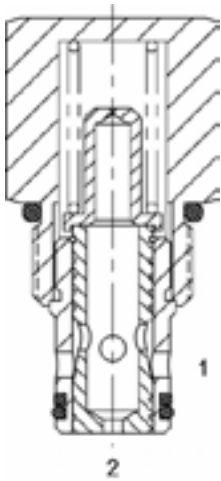


**DE-FCB FIXED FLOW CONTROL VALVE, PRESSURE COMPENSATED**



**DESCRIPTION**

10 size, 7/8-14 thread, "Delta" series, fixed pressure compensated, flow control valve.

**OPERATION**

The DE-FCB maintains a constant flow rate out of (1) regardless of load pressure changes in the circuit downstream of (1). The valve begins to respond to load changes when the flow through the valve creates a pressure differential across the control orifice, in excess of the spring load. Consult chart for regulation performance. Reverse flow (1) to (2) returns through the control orifice and is non-compensated.

**FEATURES**

- Hardened parts for long life.
- Industry common cavity.

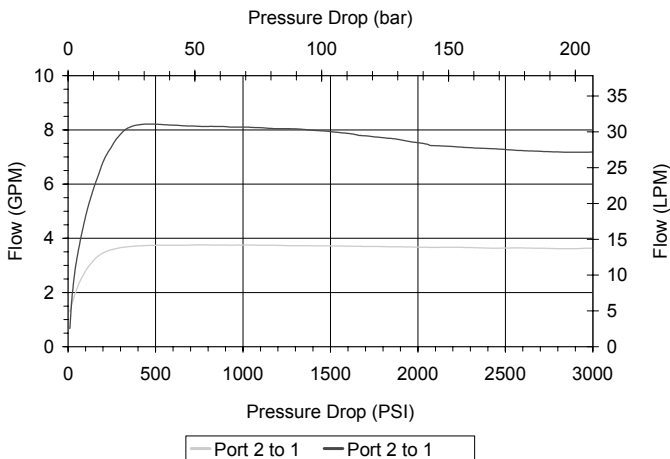
**HYDRAULIC SYMBOL**



*Low pressure drop version for low differential circuits.*

**PERFORMANCE**

Actual Test Data (Cartridge Only)



**VALVE SPECIFICATIONS**

Max Regulated Flow	8 GPM (30 LPM)
Rated Operating Pressure	3500 PSI (241 bar)
Viscosity Range	36 to 3000 SSU (3 to 647 cSt)
Filtration	ISO 18/16/13
Media Operating Temp. Range	-40° to 250°F (-40° to 120°C)
Weight	.29 lbs (.13 kg)
Operating Fluid Media	General Purpose Hydraulic Fluid
Cartridge Torque Requirements	30 ft-lbs (40.6 Nm)
Cavity	DELTA 2W
Cavity Form Tool (Finishing)	40500000
Seal Kit	21191204

**WARNING:** the specifications/application data shown in our catalogs and data sheets are intended only as a general guide for the product described (herein). Any specific application should not be undertaken without independent study, evaluation, and testing for suitability.

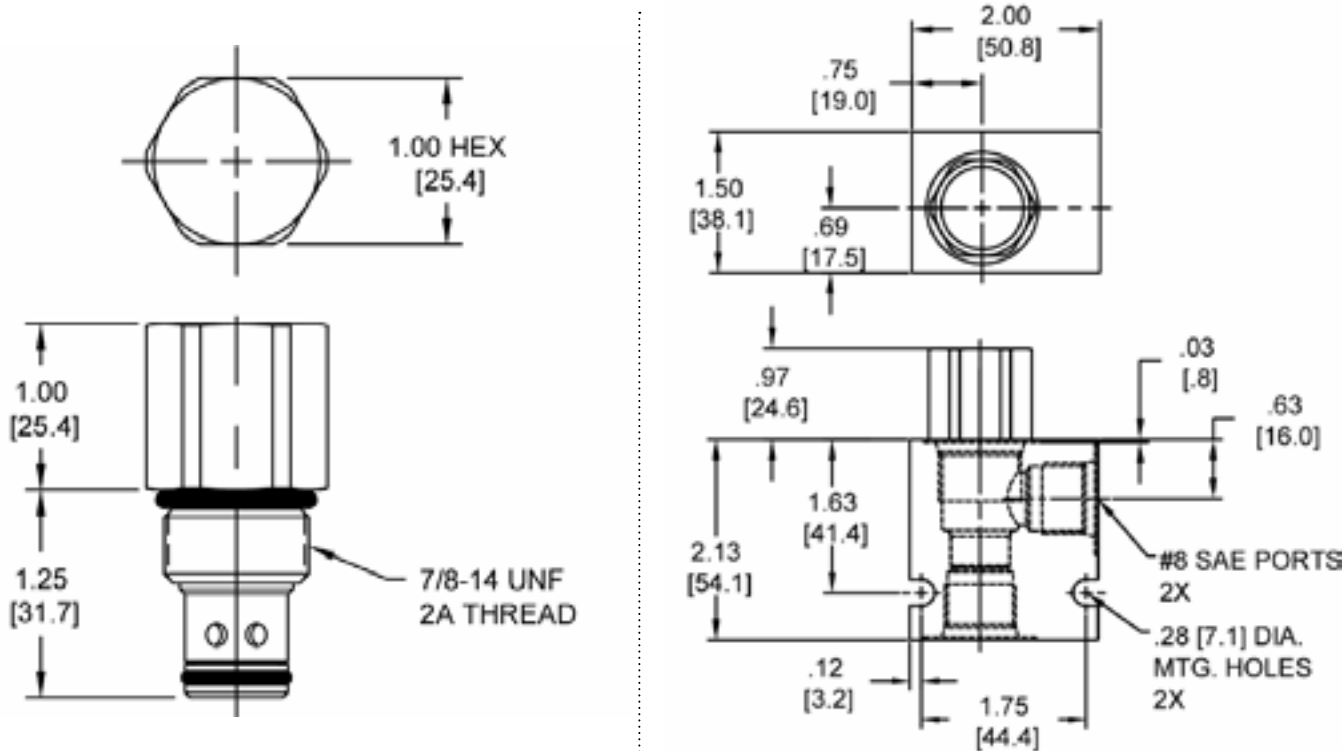


4484 Boeing Drive Rockford, IL 61109 • USA • Phone +1 (815) 397-6628 • Fax +1 (815) 397-2526  
 mail: delta@delta-power.com • www.delta-power.com



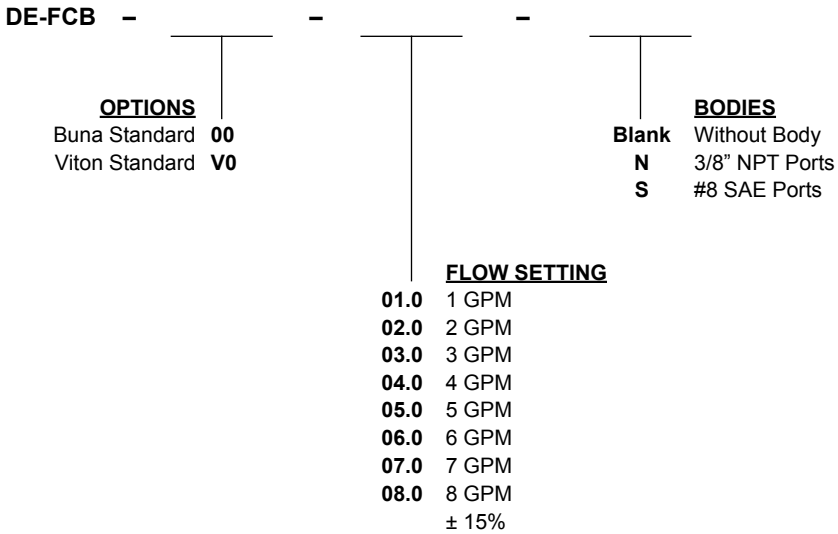
Via Malavolti, 36 • 41122 Modena • ITALY • Phone +39 (059) 254895 • Fax +39 (059) 253512  
 mail: tecnord@tecnord.com • www.tecnord.com

DIMENSIONS



Body Weight: .47 lbs (.21 kg)

ORDERING INFORMATION



W6 / 2020

**WARNING:** the specifications/application data shown in our catalogs and data sheets are intended only as a general guide for the product described (herein). Any specific application should not be undertaken without independent study, evaluation, and testing for suitability.



4484 Boeing Drive Rockford, IL 61109 • USA • Phone +1 (815) 397-6628 • Fax +1 (815) 397-2526  
 mail: delta@delta-power.com • www.delta-power.com



Via Malavolti, 36 • 41122 Modena • ITALY • Phone +39 (059) 254895 • Fax +39 (059) 253512  
 mail: tecnord@tecnord.com • www.tecnord.com