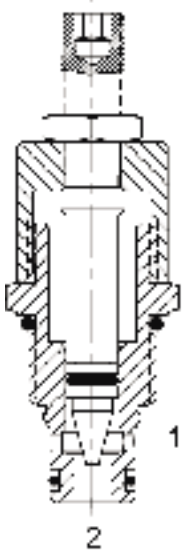


PB-NVA ADJUSTABLE FLOW CONTROL VALVE, NEEDLE TYPE



DESCRIPTION

8 size, 3/4-16 thread, "Power" series, needle flow control.

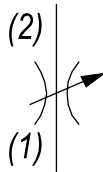
OPERATION

The PB-NVA adjusts from fully open to fully closed by turning adjusting screw clockwise. When adjusted open the valve allows flow from (1) to (2) and (2) to (1). When fully closed the valve blocks flow from (1) to (2) and (2) to (1).

FEATURES

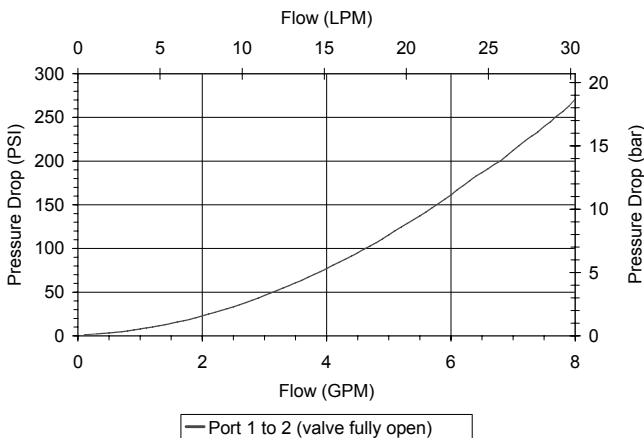
- Hardened parts for long life.
- Industry common cavity.

HYDRAULIC SYMBOL



PERFORMANCE

Actual Test Data (Cartridge Only)



VALVE SPECIFICATIONS

| | |
|-------------------------------|---------------------------------|
| Nominal Flow | 6 GPM (23 LPM) |
| Rated Operating Pressure | 3500 PSI (241 bar) |
| Viscosity Range | 36 to 3000 SSU (3 to 647 cSt) |
| Filtration | ISO 18/16/13 |
| Media Operating Temp. Range | -40° to 250°F (-40° to 120°C) |
| Weight | .22 lbs (.10 kg) |
| Operating Fluid Media | General Purpose Hydraulic Fluid |
| Cartridge Torque Requirements | 25 ft-lbs (34 Nm) |
| Cavity | POWER 2W |
| Cavity Form Tool (Finishing) | 40500005 |
| Seal Kit | 21191102 |

WARNING: the specifications/application data shown in our catalogs and data sheets are intended only as a general guide for the product described (herein). Any specific application should not be undertaken without independent study, evaluation, and testing for suitability.

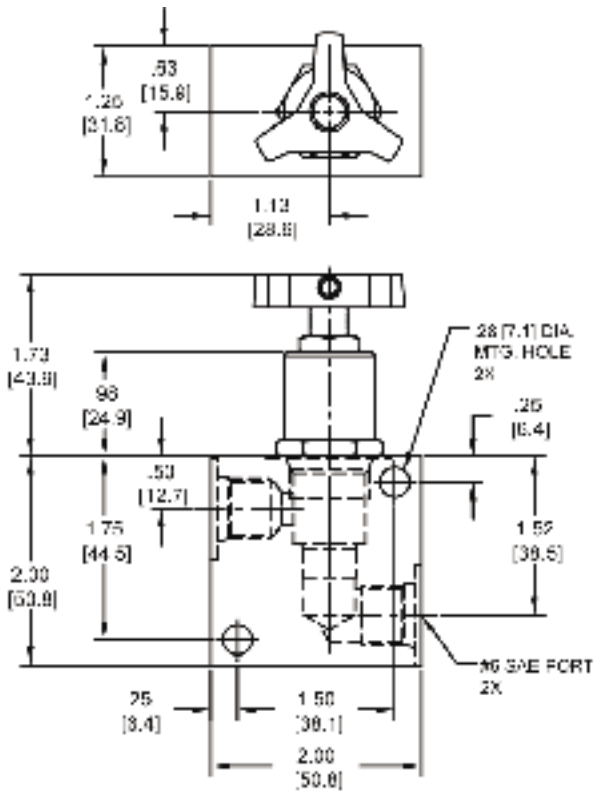
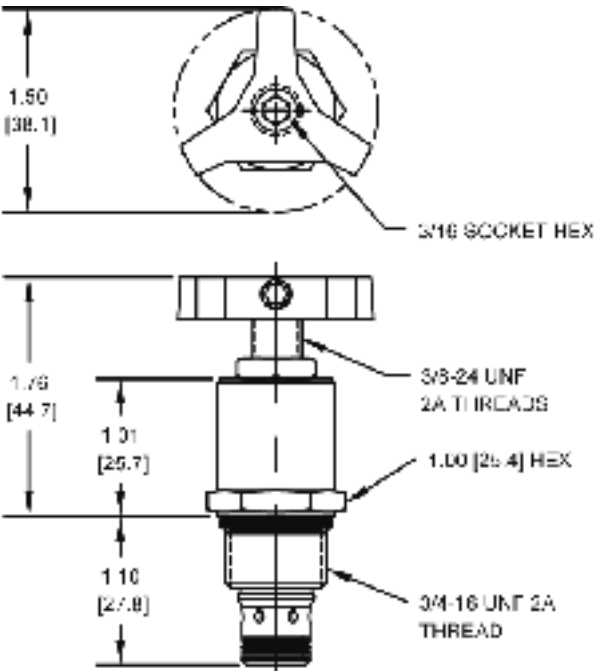


4484 Boeing Drive Rockford, IL 61109 • USA • Phone +1 (815) 397-6628 • Fax +1 (815) 397-2526
 mail: delta@delta-power.com • www.delta-power.com



Via Malavolti, 36 • 41122 Modena • ITALY • Phone +39 (059) 254895 • Fax +39 (059) 253512
 mail: tecnord@tecnord.com • www.tecnord.com

DIMENSIONS



Body Weight: .39 lbs (.18 kg)

ORDERING INFORMATION

| | |
|---|---|
| <p>PB-NVA - _____ - _____</p> <p><u>OPTIONS</u></p> <p>Buna Standard 00</p> <p>Viton Standard V0</p> <p> Buna, Knob 0K</p> <p> Viton, Knob VK</p> <p> Buna, Screen A0</p> <p> Viton, Screen W0</p> <p> Buna, Screen, Knob AK</p> <p> Viton, Screen, Knob WK</p> | <p><u>BODIES</u></p> <p>Blank Without Body</p> <p>N 1/4" NPTF Ports</p> <p>S #6 SAE Ports</p> |
|---|---|

Note: use screen only if flow direction is from (1) to (2).

1/16 / 2020

WARNING: the specifications/application data shown in our catalogs and data sheets are intended only as a general guide for the product described (herein). Any specific application should not be undertaken without independent study, evaluation, and testing for suitability.



4484 Boeing Drive Rockford, IL 61109 • USA • Phone +1 (815) 397-6628 • Fax +1 (815) 397-2526
mail: delta@delta-power.com • www.delta-power.com



Via Malavolti, 36 • 41122 Modena • ITALY • Phone +39 (059) 254895 • Fax +39 (059) 253512
mail: tecnord@tecnord.com • www.tecnord.com