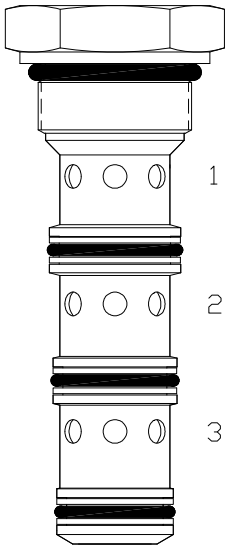


**SN-FDA FLOW DIVIDER / COMBINER VALVE, SPOOL TYPE**



**DESCRIPTION**

16 size, 1 5/16-12 thread "Super Series," spool-type flow divider/combiner valve.

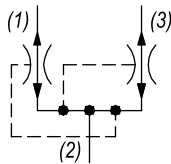
**OPERATION**

In the dividing mode, the SN-FDA will divert input flow from port (2) to ports (3) and (1), based on the ratio specified, regardless of operating pressure. The SN-FDA will combine input flows from ports (3) and (1), to port (2) by same ratio. Should circuit operation result in a blockage of either (3) or (1), the opposite port may also close under certain conditions. Should this potential exist, consult the factory.

**FEATURES**

- Hardened parts for long life.
- Industry common cavity.

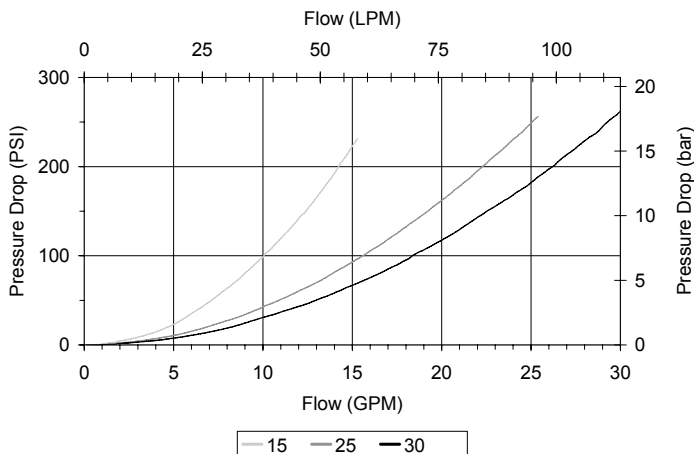
**HYDRAULIC SYMBOL**



*DO NOT EXCEED MAXIMUM FLOW PER MODEL.*

**PERFORMANCE**

Actual Test Data (Cartridge Only)



**VALVE SPECIFICATIONS**

Nominal Flow	40 GPM (151 LPM)
Accuracy on Flow Splits	±10% of Max Rated Inlet Flow
Maximum Operating Pressure	3500 PSI (241 bar)
Viscosity Range	36 to 3000 SSU (3 to 647 cSt)
Filtration	ISO 18/16/13
Media Operating Temp. Range	-40° to 250°F (-40° to 120°C)
Weight	.95 lbs (.43 kg)
Operating Fluid Media	General Purpose Hydraulic Fluid
Cartridge Torque Requirements	90 ft-lbs (122 Nm)
Cavity	SUPER 4W
Cavity Form Tool (Finishing)	40500019
Seal Kit	21191413

**WARNING:** the specifications/application data shown in our catalogs and data sheets are intended only as a general guide for the product described (herein). Any specific application should not be undertaken without independent study, evaluation, and testing for suitability.

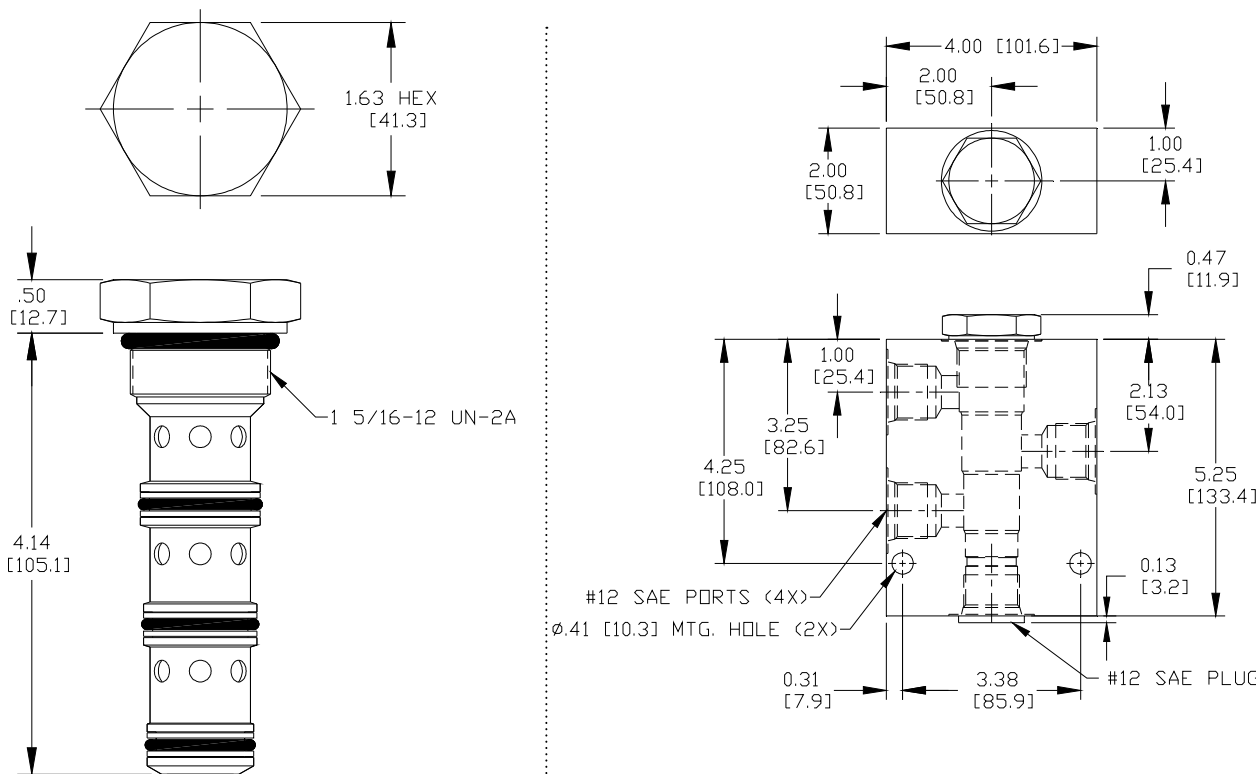


4484 Boeing Drive Rockford, IL 61109 • USA • Phone +1 (815) 397-6628 • Fax +1 (815) 397-2526  
 mail: delta@delta-power.com • www.delta-power.com



Via Malavolti, 36 • 41122 Modena • ITALY • Phone +39 (059) 254895 • Fax +39 (059) 253512  
 mail: tecnord@tecnord.com • www.tecnord.com

DIMENSIONS



Body Weight: 3.21 lbs (1.46 kg)

ORDERING INFORMATION

SN-FDA - - - - -

- OPTIONS**  
 Buna Standard 00  
 Viton Standard V0

- BODIES**  
 Blank Without Body  
 S #12 SAE Ports  
 Note: must use 4-way body

**SPLITS**

#1	#3
25-75	25
35-65	35
40-60	40
50-50	50
60-40	60
65-35	65
75-25	75

**INLET FLOW**

15	8-15 GPM
25	15-25 GPM
30	20-30 GPM
40	30-40 GPM *Available as a 50-50 split only

All non 50-50 split valves (see chart below for flow ratings)

Consult factory for additional splits

Maximum inlet flow for non 50-50 split valves		
	Model code	Maximum inlet flow
15	35-65, 65-35	15.0 GPM
25	25-75, 40-60, 60-40, 75-25	25.0 GPM
30	35-65, 65-35	30.0 GPM

WARNING: the specifications/application data shown in our catalogs and data sheets are intended only as a general guide for the product described (herein). Any specific application should not be undertaken without independent study, evaluation, and testing for suitability.

W6 / 2020



4484 Boeing Drive Rockford, IL 61109 • USA • Phone +1 (815) 397-6628 • Fax +1 (815) 397-2526  
 mail: delta@delta-power.com • www.delta-power.com



Via Malavolti, 36 • 41122 Modena • ITALY • Phone +39 (059) 254895 • Fax +39 (059) 253512  
 mail: tecnord@tecnord.com • www.tecnord.com