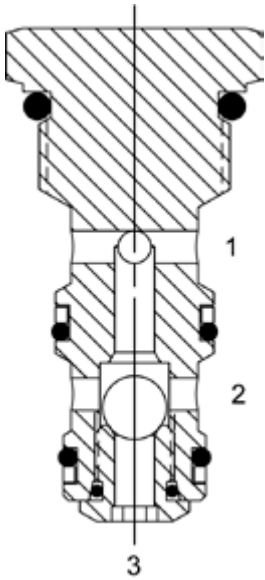


PP-CSB SHUTTLE VALVE



DESCRIPTION

8 size, 3/4-16 thread, "Power" series, shuttle valve.

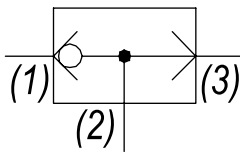
OPERATION

The PP-CSB allows flow from the higher pressure of (1) or (3) to (2). The valve is commonly used as a load sense to direct oil from the pressure side of a bidirectional hydraulic motor to a pressure released hydraulic brake.

FEATURES

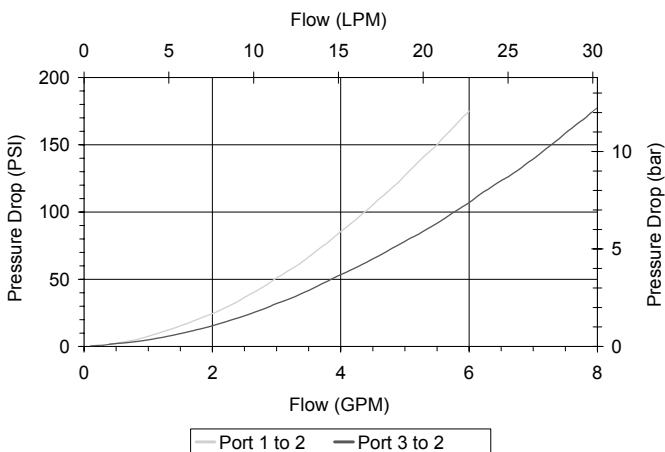
- Hardened parts for long life.
- Industry common cavity.

HYDRAULIC SYMBOL



PERFORMANCE

Actual Test Data (Cartridge Only)



VALVE SPECIFICATIONS

| | |
|------------------------------------|---------------------------------|
| Nominal Flow | 6 GPM (23 LTR/M) |
| Rated Operating Pressure | 3500 PSI (241 bar) |
| Typical Internal Leakage (150 SSU) | 1 cu in/min (16 ml/min) |
| Viscosity Range | 36 to 3000 SSU (3 to 647 cSt) |
| Filtration | ISO 18/16/13 |
| Media Operating Temp. Range | -40° to 250°F (-40° to 120°C) |
| Weight | .16 lbs (.07 kg) |
| Operating Fluid Media | General Purpose Hydraulic Fluid |
| Cartridge Torque Requirements | 25 ft-lbs (34 Nm) |
| Cavity | POWER 3W |
| Cavity Form Tool (Finishing) | 40500024 |
| Seal Kit | 21191104 |

WARNING: the specifications/application data shown in our catalogs and data sheets are intended only as a general guide for the product described (herein). Any specific application should not be undertaken without independent study, evaluation, and testing for suitability.

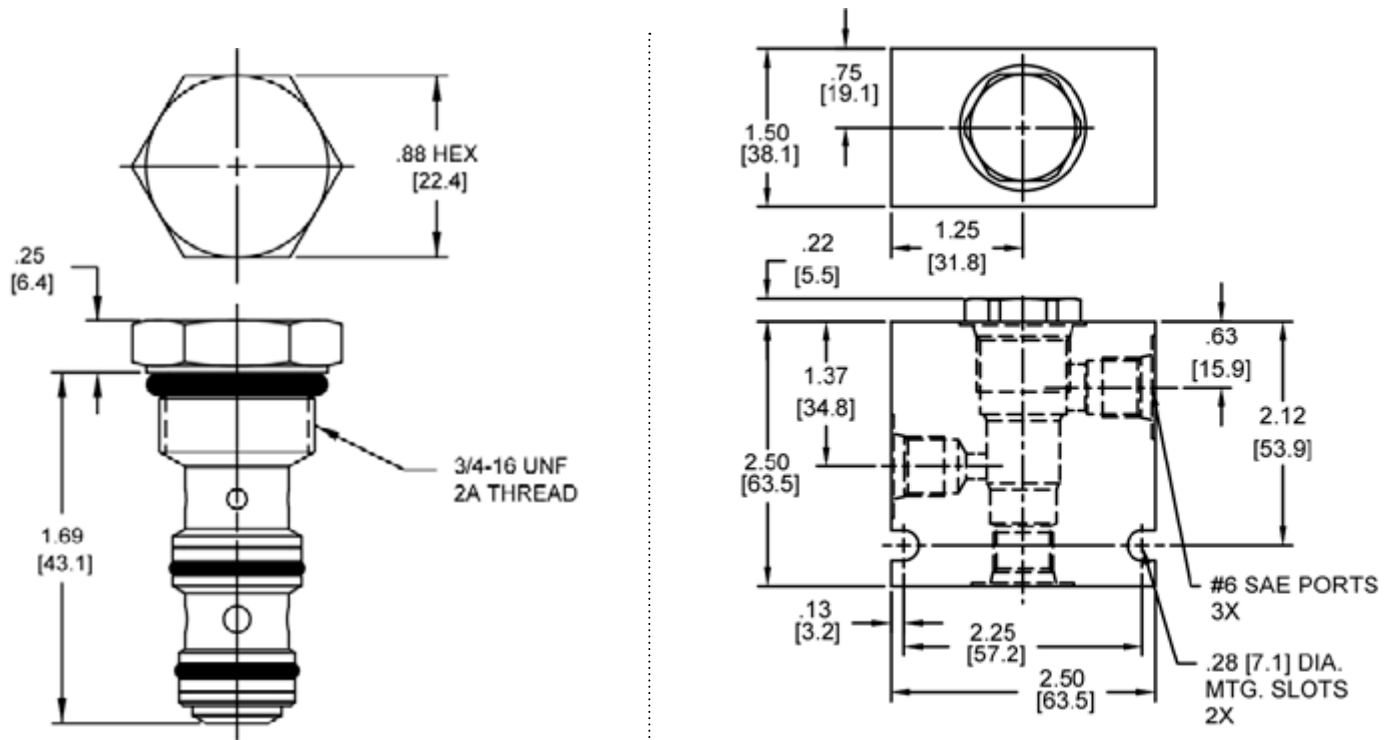


4484 Boeing Drive Rockford, IL 61109 • USA • Phone +1 (815) 397-6628 • Fax +1 (815) 397-2526
 mail: delta@delta-power.com • www.delta-power.com



Via Malavolti, 36 • 41122 Modena • ITALY • Phone +39 (059) 254895 • Fax +39 (059) 253512
 mail: tecnord@tecnord.com • www.tecnord.com

DIMENSIONS



Body Weight: .56 lbs (.25 kg)

ORDERING INFORMATION

| | | | |
|-----------------|----|---|-----------------|
| PP-CSB | | - | - |
| | | | |
| OPTIONS | | | BODIES |
| Buna, Standard | 00 | | Blank |
| Viton, Standard | V0 | | N |
| | | | S |
| | | | Without Body |
| | | | 1/4" NPTF Ports |
| | | | #6 SAE Ports |

W7 / 2017

WARNING: the specifications/application data shown in our catalogs and data sheets are intended only as a general guide for the product described (herein). Any specific application should not be undertaken without independent study, evaluation, and testing for suitability.



4484 Boeing Drive Rockford, IL 61109 • USA • Phone +1 (815) 397-6628 • Fax +1 (815) 397-2526
 mail: delta@delta-power.com • www.delta-power.com



Via Malavolti, 36 • 41122 Modena • ITALY • Phone +39 (059) 254895 • Fax +39 (059) 253512
 mail: tecnord@tecnord.com • www.tecnord.com