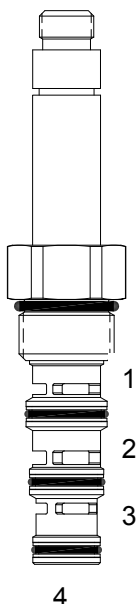


**HG-S4D DIRECT ACTING SPOOL, 4 WAY 2 POSITION, BOTTOM FLOW**



**DESCRIPTION**

“High Pressure” 10 size, 7/8-14 thread, “Delta” series, solenoid operated, 4 way 2 position bottom flow spool valve.

**OPERATION**

When de-energized the HG-S4D allows flow from (4) to (1) and from (3) to (2). When energized the valve allows flow from (4) to (3) and from (1) to (2).

**FEATURES**

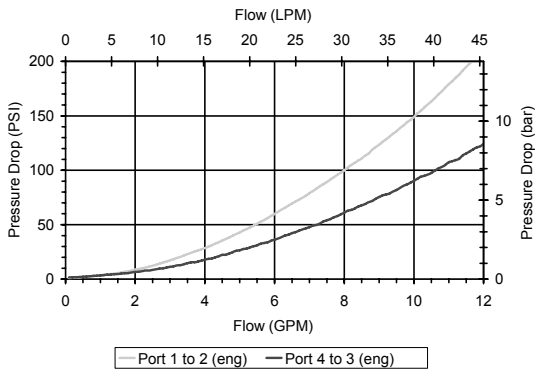
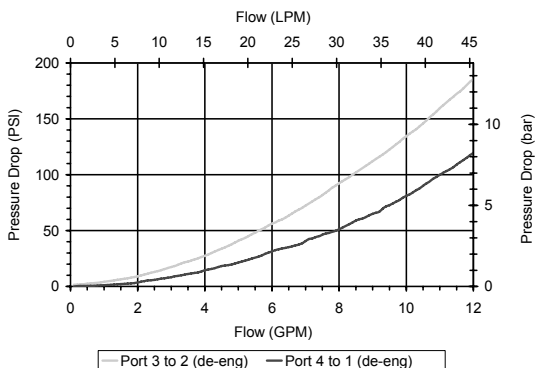
- Hardened parts for long life.
- Efficient wet-armature construction.
- Cartridges are voltage interchangeable.
- Industry common cavity.
- Unitized, molded coil design.
- Continuous duty rated solenoid.
- Optional coil voltages and terminations.
- Optional “I” Coil: Weatherproof, Thermal Shock, Immersion Safe.



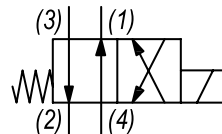
Uses “L” Coils.  
Pressure differential between ports should not exceed 3000 PSI.

**PERFORMANCE**

Actual Test Data (Cartridge Only)



**HYDRAULIC SYMBOL**



**VALVE SPECIFICATIONS**

Nominal Flow	8 GPM (30 LPM)
Rated Operating Pressure	4000 PSI (276 bar)
Typical Internal Leakage (150 SSU)	10 cu in/min (164 ml/min) per path
Viscosity Range	36 to 3000 SSU (3 to 647 cSt)
Filtration	ISO 18/16/13
Media Operating Temp. Range	-40° to 250°F (-40° to 120°C)
Weight	.43 lbs (.20 kg)
Operating Fluid Media	General Purpose Hydraulic Fluid
Cartridge Torque Requirements	35 ft-lbs (47.5 Nm)
Coil Nut Torque Requirements	4-6 ft-lbs (5.4-8.1 Nm)
Cavity	DELTA 4W
Cavity Tools Kit	
(form tool, reamer, tap)	40500002
Seal Kit	21191214

**WARNING:** the specifications/application data shown in our catalogs and data sheets are intended only as a general guide for the product described (herein). Any specific application should not be undertaken without independent study, evaluation, and testing for suitability.



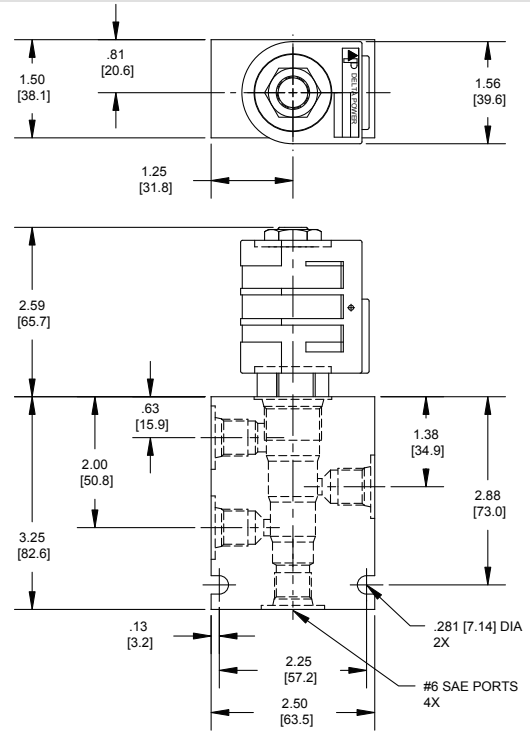
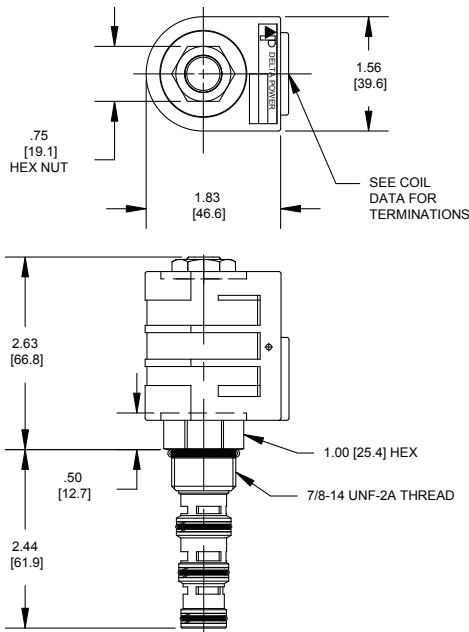
4484 Boeing Drive Rockford, IL 61109 • USA • Phone +1 (815) 397-6628 • Fax +1 (815) 397-2526  
mail: delta@delta-power.com • www.delta-power.com



Via Malavolti, 36 • 41122 Modena • ITALY • Phone +39 (059) 254895 • Fax +39 (059) 253512  
mail: tecnord@tecnord.com • www.tecnord.com

# SOLENOID OPERATED DIRECTIONAL CONTROLS

## DIMENSIONS



BODY WEIGHT: .99 lbs (.45 kg)

## ORDERING INFORMATION

### HG-S4D

**OPTIONS**  
Buna Standard **00**  
Viton Standard **V0**

**BODIES**  
Blank Without Body  
**N** 1/4 NPTF Ports  
**S** #6 SAE Ports

**VOLTAGE**  
**06** 6 VDC  
**12** 12 VDC  
**24** 24 VDC  
**36** 36 VDC  
**48** 48 VDC  
**25** 24 VAC  
**11** 120 VAC  
**22** 220 VAC  
**44** 440 VAC

Approximate Coil Weight: .68 lbs (.31 kg)

**Note: Aluminum, NOT durability rated for 4000 PSI. Consult factory for body options.**

**"L" COIL TERMINATION**  
(All DC Except as Noted)

**DL** Double Lead  
**DT** Deutsch on Leads DT04-2P  
**ML** Metri-Pack on Leads  
**PL** Packard on Leads  
**WL** Weatherpack on Leads

**SS** Single Spade  
**DS** Double Spade  
**HC** DIN 43650 (Hirschmann) - (AC&DC)  
**CL** Conduit Lead - (AC Only)  
**DI** Deutsch - Integral DT04-2P

**IMMERSION PROOF "L" TYPE**  
**IA** "I" Coil AMP Superseal - Integral  
**ID** "I" Coil Deutsch - Integral DT04-2P  
**IJ** "I" Coil AMP Jr. Timer - Integral  
**IM** "I" Coil Metri-Pack - Integral

W 26/2019

**WARNING:** the specifications/application data shown in our catalogs and data sheets are intended only as a general guide for the product described (herein). Any specific application should not be undertaken without independent study, evaluation, and testing for suitability.



4484 Boeing Drive Rockford, IL 61109 • USA • Phone +1 (815) 397-6628 • Fax +1 (815) 397-2526  
mail: delta@delta-power.com • www.delta-power.com



Via Malavolti, 36 • 41122 Modena • ITALY • Phone +39 (059) 254895 • Fax +39 (059) 253512  
mail: tecnord@tecnord.com • www.tecnord.com