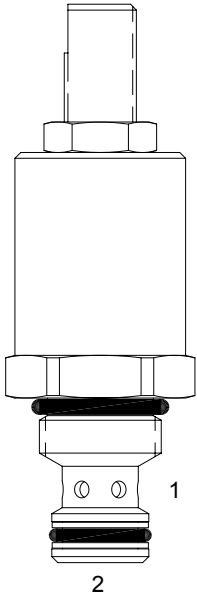


**MA-NVA ADJUSTABLE FLOW CONTROL VALVE, NEEDLE TYPE**



**DESCRIPTION**

7 size, 5/8-18 thread, "Mini" series, needle flow control valve.

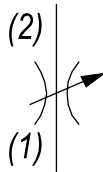
**OPERATION**

The MA-NVA adjusts from fully open to fully closed by turning adjusting screw clockwise. When adjusted open the valve allows flow (1) to (2) and (2) to (1). When fully closed the valve blocks flow from (1) to (2) and (2) to (1).

**FEATURES**

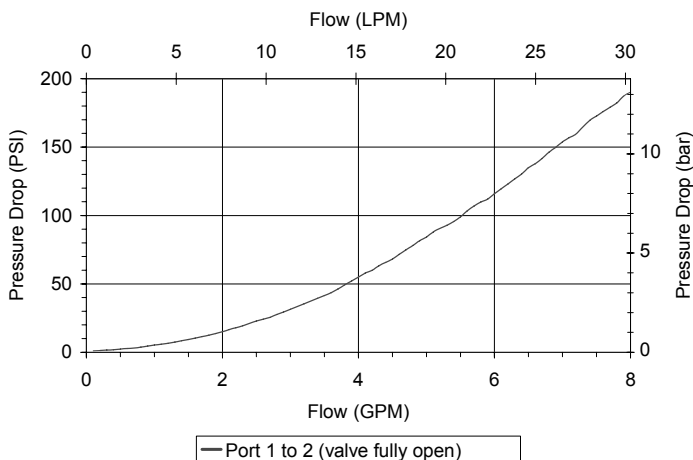
- Hardened parts for long life.
- Industry common cavity.

**HYDRAULIC SYMBOL**



**PERFORMANCE**

Actual Test Data (Cartridge Only)



**VALVE SPECIFICATIONS**

|                               |                                 |
|-------------------------------|---------------------------------|
| Nominal Flow                  | 6 GPM (23 LPM)                  |
| Rated Operating Pressure      | 3500 PSI (241 bar)              |
| Viscosity Range               | 36 to 3000 SSU (3 to 647 cSt)   |
| Filtration                    | ISO 18/16/13                    |
| Media Operating Temp. Range   | -40° to 250°F (-40° to 120°C)   |
| Weight                        | .24 lbs (.11 kg)                |
| Operating Fluid Media         | General Purpose Hydraulic Fluid |
| Cartridge Torque Requirements | 15 ft-lbs (20.3 Nm)             |
| Cavity                        | MINI 2W                         |
| Cavity Form Tool (Finishing)  | 40500003                        |
| Seal Kit                      | 21191202                        |

**WARNING:** the specifications/application data shown in our catalogs and data sheets are intended only as a general guide for the product described (herein). Any specific application should not be undertaken without independent study, evaluation, and testing for suitability.

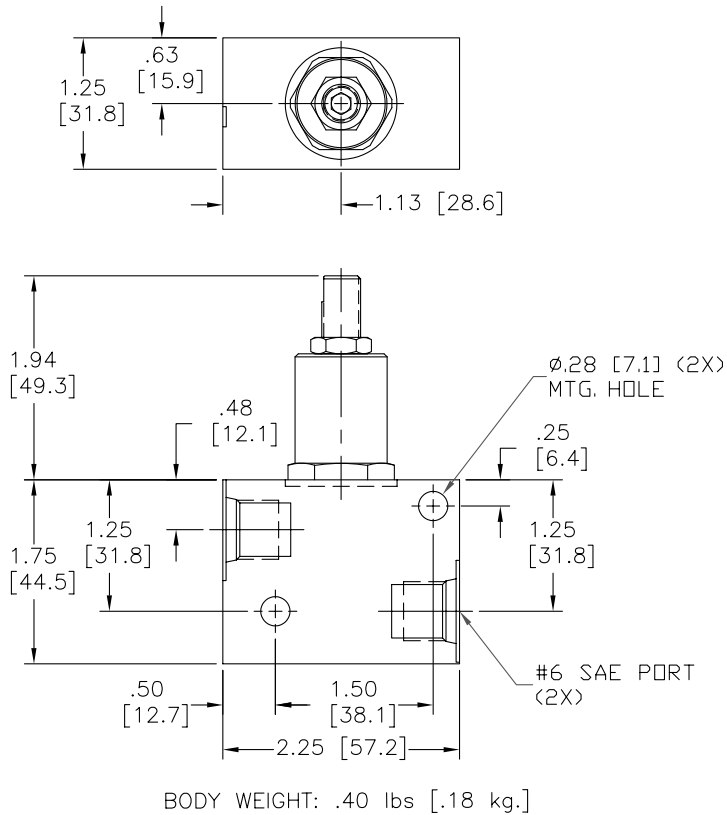
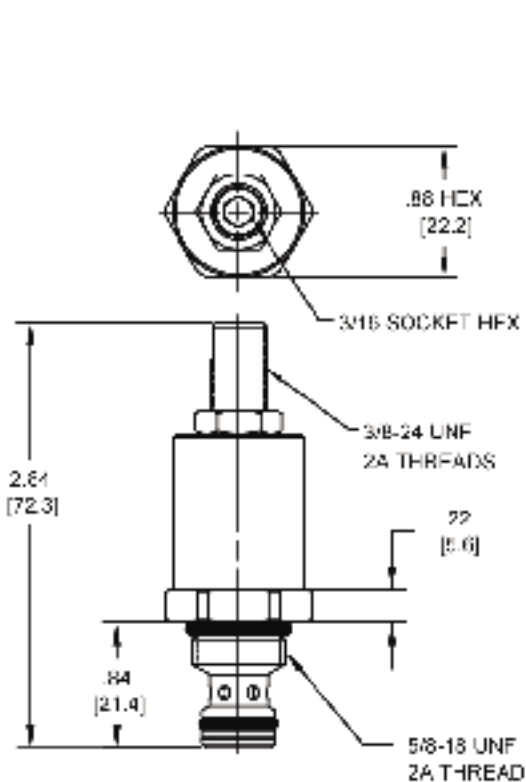


4484 Boeing Drive Rockford, IL 61109 • USA • Phone +1 (815) 397-6628 • Fax +1 (815) 397-2526  
 mail: delta@delta-power.com • www.delta-power.com



Via Malavolti, 36 • 41122 Modena • ITALY • Phone +39 (059) 254895 • Fax +39 (059) 253512  
 mail: tecnord@tecnord.com • www.tecnord.com

DIMENSIONS



Body Weight: .29 lbs (.13 kg)

ORDERING INFORMATION

|                |    |   |                   |
|----------------|----|---|-------------------|
| MA-NVA         | -  | - | -                 |
| <b>OPTIONS</b> |    |   | <b>BODIES</b>     |
| Buna Standard  | 00 |   | Blank             |
| Viton Standard | V0 |   | N 1/4" NPTF Ports |
| Buna, Knob     | OK |   | S #6 SAE Ports    |
| Viton, Knob    | VK |   |                   |

W6 / 2020

**WARNING:** the specifications/application data shown in our catalogs and data sheets are intended only as a general guide for the product described (herein). Any specific application should not be undertaken without independent study, evaluation, and testing for suitability.



4484 Boeing Drive Rockford, IL 61109 • USA • Phone +1 (815) 397-6628 • Fax +1 (815) 397-2526  
 mail: delta@delta-power.com • www.delta-power.com



Via Malavolti, 36 • 41122 Modena • ITALY • Phone +39 (059) 254895 • Fax +39 (059) 253512  
 mail: tecnord@tecnord.com • www.tecnord.com