

HG-S4B DIRECT ACTING SPOOL, 4 WAY 2 POSITION, CLOSED CENTER

DESCRIPTION

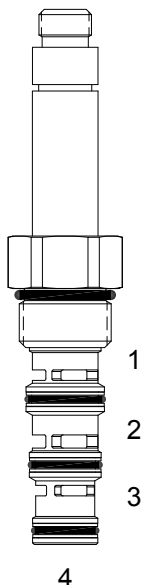
"High Pressure" 10 size, 7/8-14 thread, "Delta" series, solenoid operated, 4 way 2 position closed center spool valve.

OPERATION

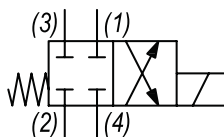
When de-energized the HG-S4B blocks flow at all ports. When energized the valve allows flow from (2) to (1) and from (3) to (4).

FEATURES

- Hardened parts for long life.
- Efficient wet-armature construction.
- Cartridges are voltage interchangeable.
- Industry common cavity.
- Unitized, molded coil design.
- Continuous duty rated solenoid.
- Optional coil voltages and terminations.
- Optional "I" Coil: Weatherproof, Thermal Shock, Immersion Safe.



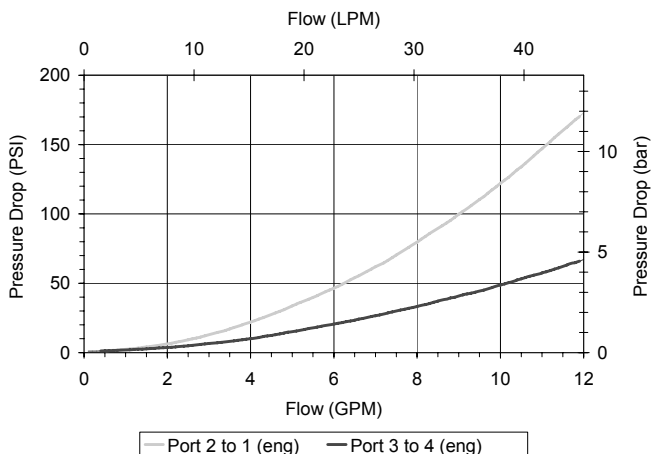
HYDRAULIC SYMBOL



Uses "L" Coils.
Pressure differential between ports should not exceed 3000 PSI.

PERFORMANCE

Actual Test Data (Cartridge Only)



VALVE SPECIFICATIONS

| | |
|--|------------------------------------|
| Nominal Flow | 10 GPM (38 LPM) |
| Rated Operating Pressure | 4000 PSI (276 bar) |
| Typical Internal Leakage (150 SSU) | 10 cu in/min (164 ml/min) per path |
| Viscosity Range | 36 to 3000 SSU (3 to 647 cSt) |
| Filtration | ISO 18/16/13 |
| Media Operating Temp. Range | -40° to 250°F (-40° to 120°C) |
| Weight | .44 lbs (.20 kg) |
| Operating Fluid Media | General Purpose Hydraulic Fluid |
| Cartridge Torque Requirements | 30 ft-lbs (40.6 Nm) |
| Coil Nut Torque Requirements | 4-6 ft-lbs (5.4-8.1 Nm) |
| Cavity | DELTA 4W |
| Cavity Tools Kit (form tool, reamer, tap) | 40500002 |
| Seal Kit | 21191214 |

WARNING: the specifications/application data shown in our catalogs and data sheets are intended only as a general guide for the product described (herein). Any specific application should not be undertaken without independent study, evaluation, and testing for suitability.



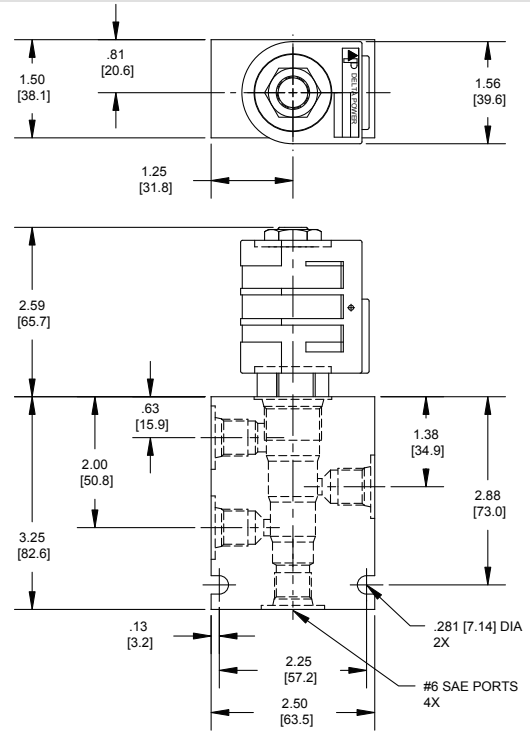
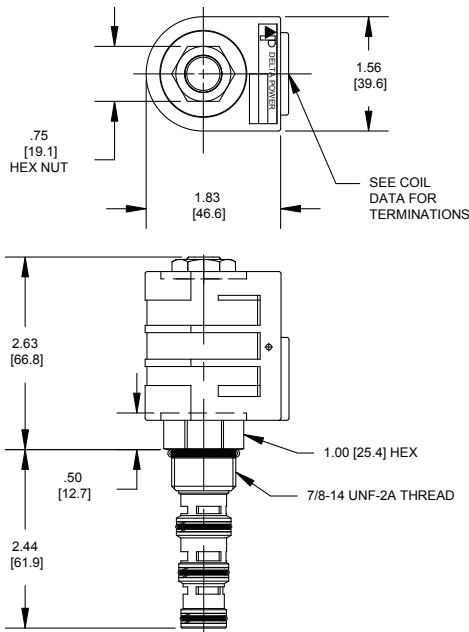
4484 Boeing Drive Rockford, IL 61109 • USA • Phone +1 (815) 397-6628 • Fax +1 (815) 397-2526
mail: delta@delta-power.com • www.delta-power.com



Via Malavolti, 36 • 41122 Modena • ITALY • Phone +39 (059) 254895 • Fax +39 (059) 253512
mail: tecnord@tecnord.com • www.tecnord.com

SOLENOID OPERATED DIRECTIONAL CONTROLS

DIMENSIONS



ORDERING INFORMATION

HG-S4B

OPTIONS
 Buna Standard **00**
 Viton Standard **V0**

BODIES
 Blank Without Body
N 1/4 NPTF Ports
S #6 SAE Ports

VOLTAGE
06 6 VDC
12 12 VDC
24 24 VDC
36 36 VDC
48 48 VDC
25 24 VAC
11 120 VAC
22 220 VAC
44 440 VAC

Approximate Coil Weight: .68 lbs (.31 kg)

Note: Aluminum, NOT durability rated for 4000 PSI. Consult factory for body options.

"L" COIL TERMINATION
 (All DC Except as Noted)

DL Double Lead
DT Deutsch on Leads DT04-2P
ML Metri-Pack on Leads
PL Packard on Leads
WL Weatherpack on Leads

SS Single Spade
DS Double Spade
HC DIN 43650 (Hirschmann) - (AC&DC)
CL Conduit Lead - (AC Only)
DI Deutsch - Integral DT04-2P

IMMERSION PROOF "L" TYPE
IA "I" Coil AMP Superseal - Integral
ID "I" Coil Deutsch - Integral DT04-2P
IJ "I" Coil AMP Jr. Timer - Integral
IM "I" Coil Metri-Pack - Integral

W 26/2019

WARNING: the specifications/application data shown in our catalogs and data sheets are intended only as a general guide for the product described (herein). Any specific application should not be undertaken without independent study, evaluation, and testing for suitability.



4484 Boeing Drive Rockford, IL 61109 • USA • Phone +1 (815) 397-6628 • Fax +1 (815) 397-2526
 mail: delta@delta-power.com • www.delta-power.com



Via Malavolti, 36 • 41122 Modena • ITALY • Phone +39 (059) 254895 • Fax +39 (059) 253512
 mail: tecnord@tecnord.com • www.tecnord.com