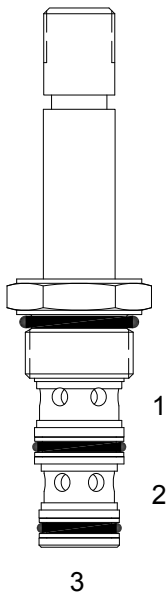


PP-S3B DIRECT ACTING SPOOL, 3 WAY 2 POSITION



**DESCRIPTION**

8 size, 3/4-16 thread, "Power" series, solenoid operated, 3 way 2 position, selector spool valve.

**OPERATION**

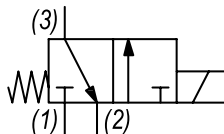
When de-energized the PP-S3B allows flow from (3) to (2) and blocks flow at port (1). When energized the valve allows flow from (3) to (1) and blocks flow at port (2).

**OPERATION OF MANUAL OVERRIDE OPTION:** to override, pull knob out. On the detented version, after pulling knob out twist 180 degrees and release. The valve will remain in that position.

**FEATURES**

- Hardened parts for long life.
- Efficient wet-armature construction.
- Cartridges are voltage interchangeable.
- Manual override option.
- Industry common cavity.
- Unitized, molded coil design.
- Continuous duty rated solenoid.
- Optional coil voltages and terminations.
- Optional "I" Coil: Weatherproof, Thermal Shock, Immersion Safe.

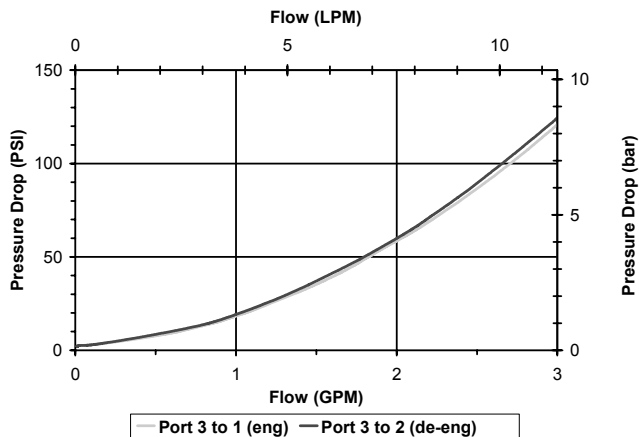
HYDRAULIC SYMBOL



*This valve is great for transmission and brake applications, even with port (1) inlet, port (2) tank circuit orientations.*

PERFORMANCE

Actual Test Data (Cartridge Only)



VALVE SPECIFICATIONS

Nominal Flow	2.5 GPM (9.5 LPM)
Rated Operating Pressure	3000 PSI (207 bar)
Typical Internal Leakage (150 SSU)	5 cu in/min (82 ml/min)
Viscosity Range	36 to 3000 SSU (3 to 647 cSt)
Filtration	ISO 18/16/13
Media Operating Temp. Range	-40° to 250°F (-40° to 120°C)
Weight	.23 lbs (.10 kg)
Operating Fluid Media	General Purpose Hydraulic Fluid
Cartridge Torque Requirements	25 ft-lbs (34 Nm)
Coil Nut Torque Requirements	4-6 ft-lbs (5.4-8.1 Nm)
Cavity	POWER 3W
Cavity Tools Kit	
(form tool, reamer, tap)	40500024
Seal Kit	21191105

**WARNING:** the specifications/application data shown in our catalogs and data sheets are intended only as a general guide for the product described (herein). Any specific application should not be undertaken without independent study, evaluation, and testing for suitability.



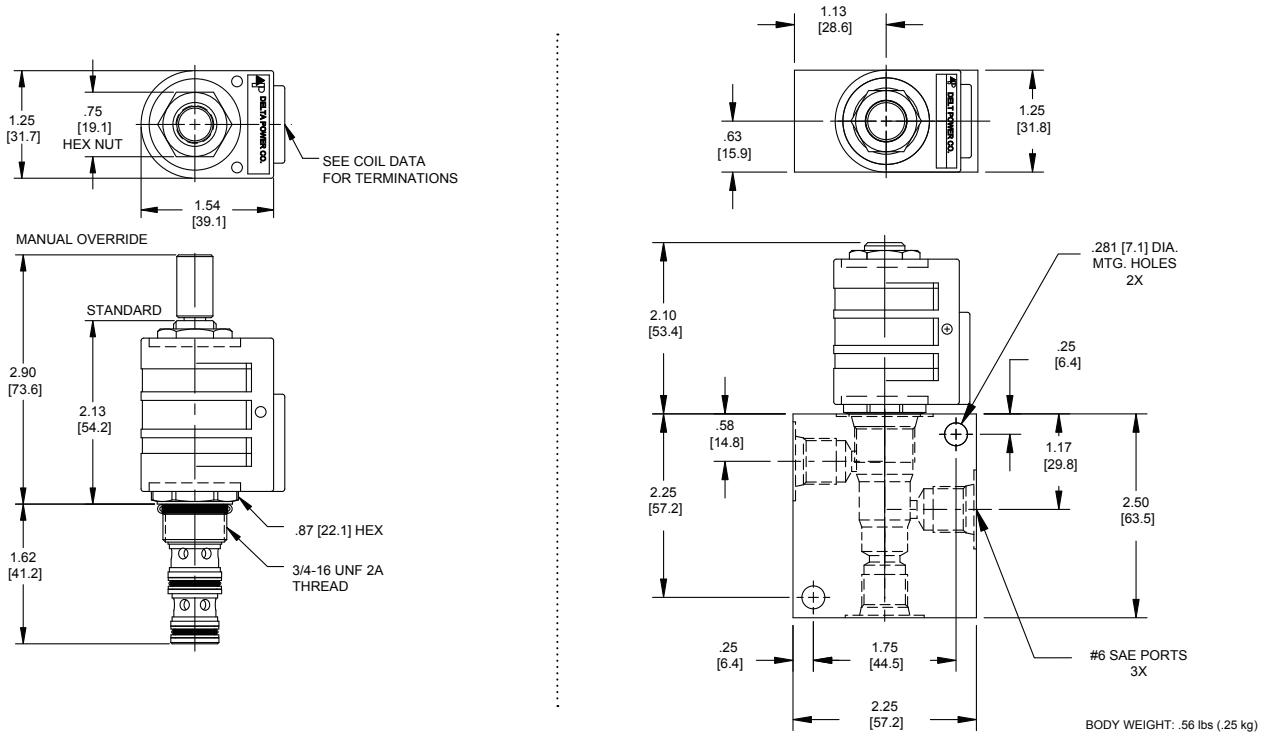
4484 Boeing Drive Rockford, IL 61109 • USA • Phone +1 (815) 397-6628 • Fax +1 (815) 397-2526  
 mail: delta@delta-power.com • www.delta-power.com



Via Malavolti, 36 • 41122 Modena • ITALY • Phone +39 (059) 254895 • Fax +39 (059) 253512  
 mail: tecnord@tecnord.com • www.tecnord.com

# SOLENOID OPERATED DIRECTIONAL CONTROLS

## DIMENSIONS



## ORDERING INFORMATION

Approximate Coil Weight: .42 lbs (.19 kg)

### PP-S3B

#### OPTIONS

Buna Standard	<b>00</b>
Viton Standard	<b>V0</b>
Buna, Override, Detent	<b>0M</b>
Viton, Override, Detent	<b>VM</b>
Buna, Override, Nondetent	<b>B1</b>
Buna, Override, Nondetent	<b>V1</b>

#### BODIES

<b>Blank</b>	Without Body
<b>N</b>	1/4 NPTF Ports
<b>S</b>	#6 SAE Ports

#### VOLTAGE

<b>06</b>	6 VDC
<b>12</b>	12 VDC
<b>24</b>	24 VDC
<b>36</b>	36 VDC
<b>48</b>	48 VDC
<b>25</b>	24 VAC
<b>11</b>	120 VAC
<b>22</b>	220 VAC
<b>44</b>	440 VAC

#### "P" COIL TERMINATION (All DC Except as Noted)

<b>DL</b>	Double Lead
<b>DT</b>	Deutsch on Leads DT04-2P
<b>ML</b>	Metri-Pack on Leads
<b>PL</b>	Packard on Leads
<b>WL</b>	Weatherpack on Leads

<b>SS</b>	Single Spade
<b>DS</b>	Double Spade
<b>HC</b>	DIN 43650 (Hirschmann) - (AC&DC)
<b>CL</b>	Conduit Lead - (AC Only)
<b>DI</b>	Deutsch - Integral DT04-2P

#### IMMERSION PROOF "P" TYPE

<b>IA</b>	"I" Coil AMP Superseal - Integral
<b>ID</b>	"I" Coil Deutsch - Integral DT04-2P
<b>IJ</b>	"I" Coil AMP Jr. Timer - Integral
<b>IM</b>	"I" Coil Metri-Pack - Integral

W 26 / 2019

**WARNING:** the specifications/application data shown in our catalogs and data sheets are intended only as a general guide for the product described (herein). Any specific application should not be undertaken without independent study, evaluation, and testing for suitability.



4484 Boeing Drive Rockford, IL 61109 • USA • Phone +1 (815) 397-6628 • Fax +1 (815) 397-2526  
mail: delta@delta-power.com • www.delta-power.com



Via Malavolti, 36 • 41122 Modena • ITALY • Phone +39 (059) 254895 • Fax +39 (059) 253512  
mail: tecnord@tecnord.com • www.tecnord.com