

**MC-S3A Direct Acting Spool, 3 Way 2 Position**

**DESCRIPTION**

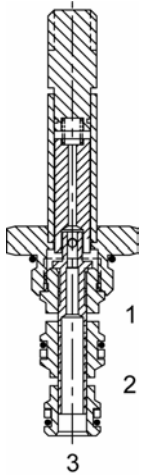
7 size, 5/8-18 thread, "Mini" series, solenoid operated, 3 way 2 position, spool valve.

**OPERATION**

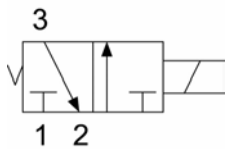
When de-energized the MC-S3A blocks flow at (1) and allows flow from (3) to (2). When energized the valve allows flow from (1) to (3) and blocks flow at (2).

**FEATURES**

- Hardened parts for long life.
- Efficient wet-armature construction.
- Cartridges are voltage interchangeable.
- Industry common cavity.
- Unitized, molded coil design.
- Continuous duty rated solenoid.
- Optional coil voltages and terminations.



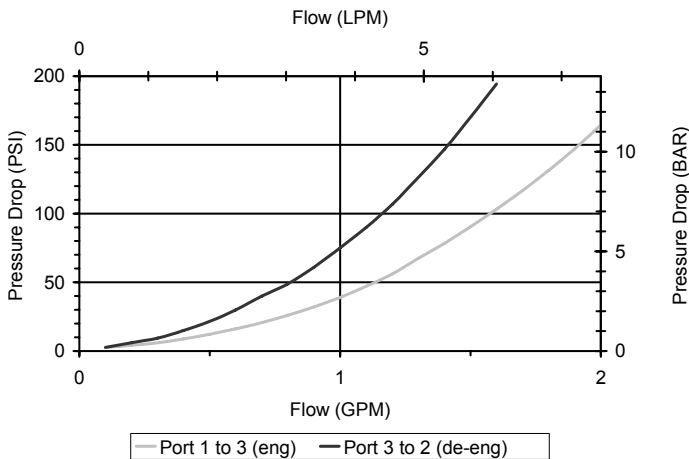
**HYDRAULIC SYMBOL**



Operational shift limit 1 GPM (3.8 LPM) from (1) to (3) at 3000 PSI and 2 GPM (7.6 LPM) from (3) to (2) with no load. For shifted flow performance consult chart. For higher pressures or flows SEE HC-S3A

**PERFORMANCE**

Actual Test Data (Cartridge Only)

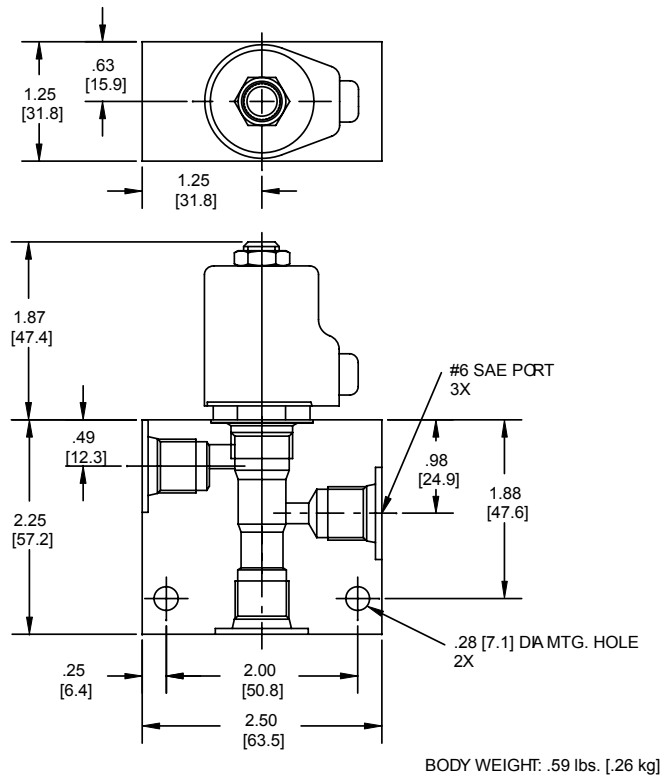
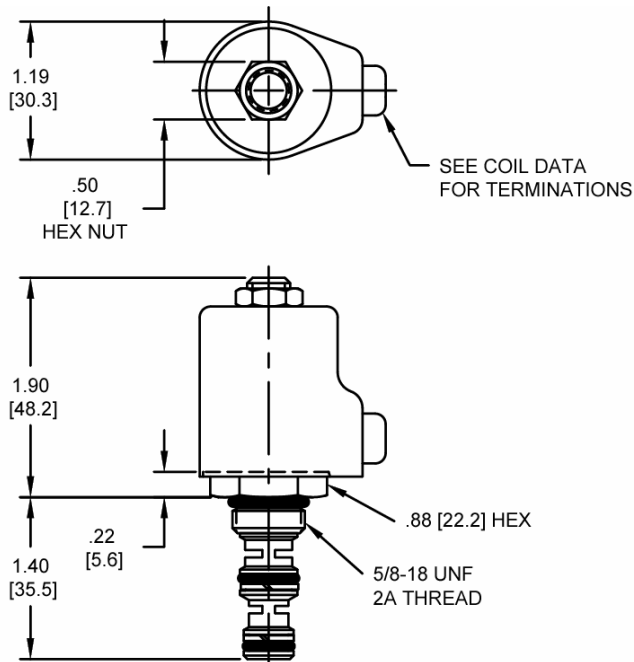


**VALVE SPECIFICATIONS**

Nominal Flow	1 GPM (3.8 LPM) from (1) to (3) 2 GPM (7.6 LPM) from (3) to (2)
Rated Operating Pressure	3000 PSI (207 bar)
Typical Internal Leakage (150 SSU)	5 cu in/min (82 ml/min)
Viscosity Range	36 to 3000 SSU (3 to 647 cSt)
Filtration	ISO 18/16/13
Media Operating Temperature Range	-40° to 250° F (-40° to 120° C)
Weight	.14 lbs. (.06 kg)
Operating Fluid Media	General Purpose Hydraulic Fluid
Cartridge Torque Requirements	15 ft-lbs (20.3 Nm)
Coil Nut Torque Requirements	3-5 ft-lbs (4.1-6.8 Nm)
Cavity	<a href="#">MINI 3W</a>
Cavity Form Tool (Finishing)	40500004
Seal Kit	21191004

**WARNING:** The specifications/application data shown in our catalogs and data sheets are intended only as a general guide for the product described (herein). Any specific application should not be undertaken without independent study, evaluation, and testing for suitability.

**DIMENSIONS**



**ORDERING INFORMATION**

MC-S3A - - - -

**OPTIONS**  
Buna Standard 00  
Viton Standard V0

Blank  
N 1/4 NPTF Ports  
S #6 SAE Ports

**VOLTAGE**

06 6 VDC  
12 12 VDC  
24 24 VDC  
36 36 VDC  
48 48 VDC  
25 24 VAC  
11 120 VAC  
22 220 VAC  
44 440 VAC

**"M" COIL TERMINATION**

(All DC Except as Noted)  
Double Lead DL  
Deutsch on Leads DT04-2P DT  
Metri-Pack on Leads ML  
Packard on Leads PL  
Weatherpack on Leads WL  
Single Spade SS  
Double Spade DS  
DIN 43650 (Hirschman) - (AC&DC) HC  
Conduit Lead - (AC Only) CL

Approximate Coil Weight: .30 lbs/.14 kg.

**WARNING:** The specifications/application data shown in our catalogs and data sheets are intended only as a general guide for the product described (herein). Any specific application should not be undertaken without independent study, evaluation, and testing for suitability.

Phone: (815) 397-6628

Fax: (815) 397-2526

E-mail: [delta@delta-power.com](mailto:delta@delta-power.com)