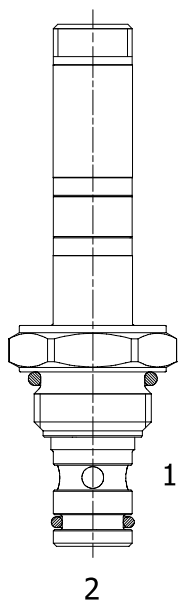


PB-S2I DIRECT ACTING POPPET, 2 WAY NORMALLY CLOSED



DESCRIPTION

8 size, 3/4-16 thread, "Power" series, solenoid operated, 2 way normally closed, bidirectional poppet valve.

OPERATION

When de-energized the PB-S2I blocks flow from (1) to (2) and from (2) to (1). When energized the valve allows flow from (1) to (2) and from (2) to (1).

MANUAL OVERRIDE OPTION: to override, push the manual override button.

SCREW TYPE MANUAL OVERRIDE OPTION: to override, turn clockwise the manual override screw. To release, turn the manual override screw counter-clockwise.

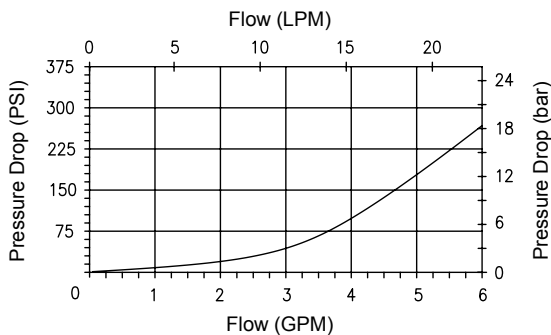
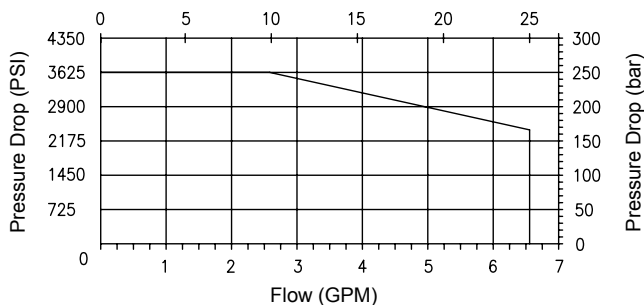
FEATURES

- Hardened parts for long life.
- Efficient wet-armature construction.
- Cartridges are voltage interchangeable.
- Industry common cavity.
- Unitized, molded coil design.
- Continuous duty rated solenoid.
- Optional coil voltages and terminations.

PERFORMANCE

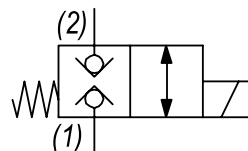
Actual Test Data (Cartridge Only)

De-Rating of Pressure vs. Flow (LPM)



— Port 1 to 2 (eng) & Port 2 to 1 (eng)

HYDRAULIC SYMBOL



VALVE SPECIFICATIONS

Nominal Flow	4 GPM (15 LPM)
Rated Operating Pressure	3600 PSI (250 bar)
Typical Internal Leakage (150 SSU)	0-10 drops/min at 3600 PSI (250 bar)
Viscosity Range	36 to 3000 SSU (3 to 647 cSt)
Filtration	ISO 18/16/13
Media Operating Temp. Range	-40° to 210°F (-40° to 100°C)
	BUNA seals
	-4° to 250°F (-20° to 120°C)
	VITON seals
Weight	.29 lbs (.13 kg)
Operating Fluid Media	General Purpose Hydraulic Fluid
Cartridge Torque Requirements	25 ft-lbs (34 Nm)
Coil Nut Torque Requirements	4-6 ft-lb (5.4-8.1 Nm)
Cavity	POWER 2W
Cavity Tools Kit	40500005
Seal Kit	TBA

WARNING: the specifications/application data shown in our catalogs and data sheets are intended only as a general guide for the product described (herein). Any specific application should not be undertaken without independent study, evaluation, and testing for suitability.



4484 Boeing Drive Rockford, IL 61109 • USA • Phone +1 (815) 397-6628 • Fax +1 (815) 397-2526
 mail: delta@delta-power.com • www.delta-power.com



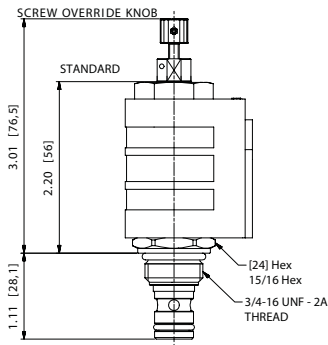
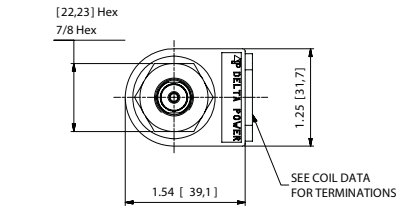
Via Malavolti, 36 • 41122 Modena • ITALY • Phone +39 (059) 254895 • Fax +39 (059) 253512
 mail: tecnord@tecnord.com • www.tecnord.com

W/18/2017

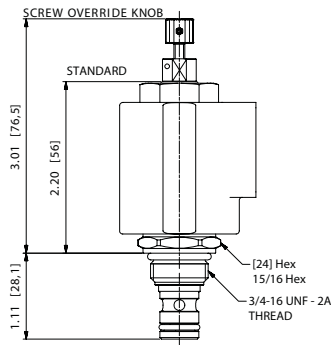
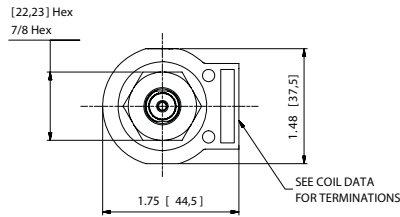
SOLENOID OPERATED DIRECTIONAL CONTROLS

DIMENSIONS

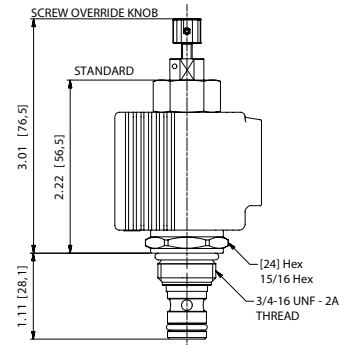
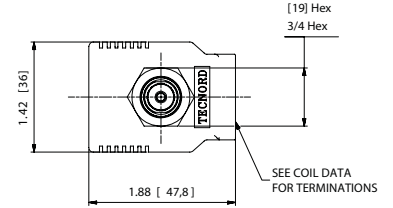
"P" COIL TERMINATION



IMMERSION PROOF "I" TYPE



"J" COIL TERMINATION



ORDERING INFORMATION

PB - S2I - - - CONSULT FACTORY FOR BODY

Approximate Coil Weight: .42 lbs (.19 kg)

OPTIONS

Buna Standard **00**
 Viton Standard **V0**
 Buna Knob **OK**

VOLTAGE

06 6 VDC
12 12 VDC
24 24 VDC
36 36 VDC
48 48 VDC
25 24 VAC
11 120 VAC
22 220 VAC
44 440 VAC

"P" COIL TERMINATION (All DC Except as Noted)

DL Double Lead
DS Double Spade
HC DIN 43650 (Hirschmann) - (AC&DC)
CL Conduit Lead - (AC Only)
DI Deutsch - Integral DT04-2P

IMMERSION PROOF "I" TYPE

IA "I" Coil AMP Superseal - Integral
ID "I" Coil Deutsch - Integral DT04-2P
IJ "I" Coil AMP Jr. Timer - Integral
IM "I" Coil Metri-Pack - Integral

"J" COIL TERMINATION

JA "J" Coil AMP Superseal - Integral
JD "J" Coil Deutsch - Integral DT04-2P
JJ "J" Coil AMP Jr. Timer - Integral
JM "J" Coil Metri-Pack - Integral
JL "J" Coil Double Lead
JH "J" Coil DIN 43650 (Hirschman) - (AC &DC)

For Optional Coil Terminations See Coil Section

W 18 / 2017

WARNING: the specifications/application data shown in our catalogs and data sheets are intended only as a general guide for the product described (herein). Any specific application should not be undertaken without independent study, evaluation, and testing for suitability.



4484 Boeing Drive Rockford, IL 61109 • USA • Phone +1 (815) 397-6628 • Fax +1 (815) 397-2526
 mail: delta@delta-power.com • www.delta-power.com



Via Malavolti, 36 • 41122 Modena • ITALY • Phone +39 (059) 254895 • Fax +39 (059) 253512
 mail: tecnord@tecnord.com • www.tecnord.com