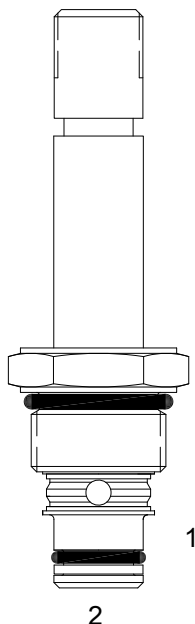


**PB-S2B PILOT OPERATED POPPET, 2 WAY NORMALLY CLOSED**



**DESCRIPTION**

8 size, 3/4-16 thread, "Power" series, solenoid operated, 2 way normally closed, pilot operated poppet valve with reverse flow energized and de-energized.

**OPERATION**

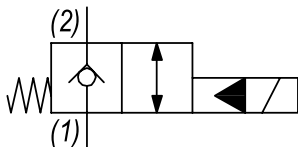
When de-energized the PB-S2B blocks flow from (1) to (2) and allows reverse flow from (2) to (1). When energized the valve allows flow from (1) to (2) and (2) to (1).

**OPERATION OF MANUAL OVERRIDE OPTION:** to override, pull knob out. On the detented version, after pulling knob out twist 180 degrees and release. The valve will remain in that position.

**FEATURES**

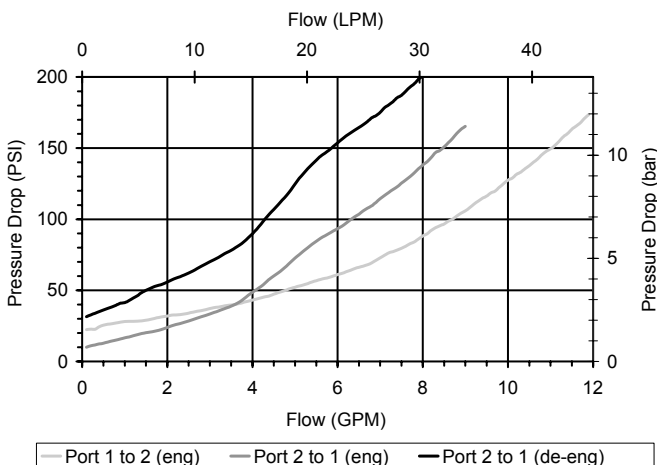
- Hardened parts for long life.
- Efficient wet-armature construction.
- Cartridges are voltage interchangeable.
- Manual override option.
- Industry common cavity.
- Unitized, molded coil design.
- Continuous duty rated solenoid.
- Optional coil voltages and terminations.
- Optional "I" Coil: Weatherproof, Thermal Shock, Immersion Safe.

**HYDRAULIC SYMBOL**



**PERFORMANCE**

Actual Test Data (Cartridge Only)



**VALVE SPECIFICATIONS**

Nominal Flow	8 GPM (30 LPM)
Rated Operating Pressure	3500 PSI (241 bar)
Typical Internal Leakage (150 SSU)	0-5 drops/min
Viscosity Range	36 to 3000 SSU (3 to 647 cSt)
Filtration	ISO 18/16/13
Media Operating Temp. Range	-40° to 250°F (-40° to 120°C)
Weight	.20 lbs (.09 kg)
Operating Fluid Media	General Purpose Hydraulic Fluid
Cartridge Torque Requirements	25 ft-lbs (34 Nm)
Coil Nut Torque Requirements	4-6 ft-lbs (5.4-8.1 Nm)
Cavity	POWER 2W
Cavity Tools Kit	
(form tool, reamer, tap)	40500005
Seal Kit	21191100

**WARNING:** the specifications/application data shown in our catalogs and data sheets are intended only as a general guide for the product described (herein). Any specific application should not be undertaken without independent study, evaluation, and testing for suitability.



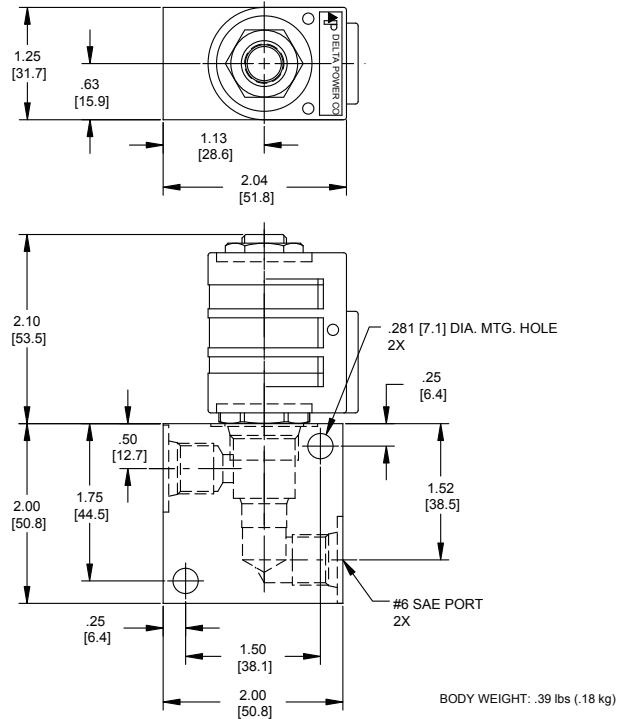
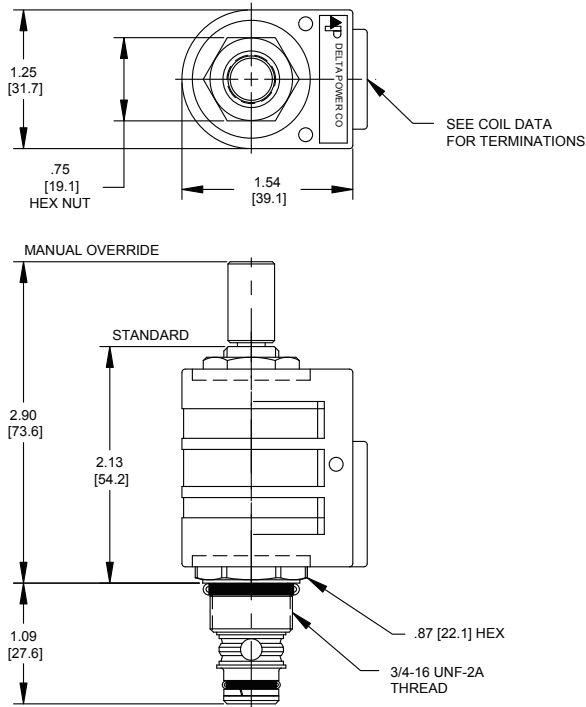
4484 Boeing Drive Rockford, IL 61109 • USA • Phone +1 (815) 397-6628 • Fax +1 (815) 397-2526  
 mail: delta@delta-power.com • www.delta-power.com



Via Malavolti, 36 • 41122 Modena • ITALY • Phone +39 (059) 254895 • Fax +39 (059) 253512  
 mail: tecnord@tecnord.com • www.tecnord.com

# SOLENOID OPERATED DIRECTIONAL CONTROLS

## DIMENSIONS



## ORDERING INFORMATION

Approximate Coil Weight: .42 lbs (.19 kg)

### PB-S2B

OPTIONS	
Buna Standard	<b>00</b>
Viton Standard	<b>V0</b>
Buna, Override, Detent	<b>0M</b>
Viton, Override, Detent	<b>VM</b>
Buna, Screen	<b>A0</b>
Viton, Screen	<b>W0</b>
Buna, Override, Non-Detent	<b>B1</b>
Viton, Override, Non-Detent	<b>V1</b>
Buna, Screen, Override, Non-Detent	<b>B3</b>
Viton, Screen, Override, Non-Detent	<b>V3</b>
Buna, Screen, Override, Detent	<b>B4</b>
Viton, Screen, Override, Detent	<b>V4</b>

**Note: use screen only if flow direction is from (1) to (2)**

**"P" COIL TERMINATION**  
(All DC Except as Noted)

BODIES	
Blank	Without Body
<b>N</b>	1/4 NPTF Ports
<b>S</b>	#6 SAE Ports

VOLTAGE	
<b>06</b>	6 VDC
<b>12</b>	12 VDC
<b>24</b>	24 VDC
<b>36</b>	36 VDC
<b>48</b>	48 VDC
<b>25</b>	24 VAC
<b>11</b>	120 VAC
<b>22</b>	220 VAC
<b>44</b>	440 VAC

**DL** Double Lead  
**DT** Deutsch on Leads DT04-2P  
**ML** Metri-Pack on Leads  
**PL** Packard on Leads  
**WL** Weatherpack on Leads

**SS** Single Spade  
**DS** Double Spade  
**HC** DIN 43650 (Hirschmann) - (AC&DC)  
**CL** Conduit Lead - (AC Only)  
**DI** Deutsch - Integral DT04-2P

**IMMERSION PROOF "P" TYPE**  
**IA** "I" Coil AMP Superseal - Integral  
**ID** "I" Coil Deutsch - Integral DT04-2P  
**IJ** "I" Coil AMP Jr. Timer - Integral  
**IM** "I" Coil Metri-Pack - Integral

W 26 / 2019

**WARNING:** the specifications/application data shown in our catalogs and data sheets are intended only as a general guide for the product described (herein). Any specific application should not be undertaken without independent study, evaluation, and testing for suitability.



4484 Boeing Drive Rockford, IL 61109 • USA • Phone +1 (815) 397-6628 • Fax +1 (815) 397-2526  
 mail: delta@delta-power.com • www.delta-power.com



Via Malavolti, 36 • 41122 Modena • ITALY • Phone +39 (059) 254895 • Fax +39 (059) 253512  
 mail: tecnord@tecnord.com • www.tecnord.com