

# Nickel-Plated Brass Right Angle Flow Control Valves NPTF/Inch Series GSCU, GMCU, GSVU, GMVU, GSCO, GMCO

Swivel Design : Meter-Out, Meter-In and Needle Orifice

Tube Diameter OD: 1/8", 5/32", 1/4", 5/16", 3/8"

Thread Type : 10-32 UNF, 1/8", 1/4", 3/8", 1/2" NPTF



These unidirectional and bidirectional flow controllers have been designed as small as possible to enable mounting directly on valves or cylinders. The flow regulation range is wide and gradual, allowing the regulation to be very accurate either at minimum or maximum flow.

## GENERAL DATA

<b>Construction</b>	needle - type
<b>Valve group</b>	Unidirectional and bidirectional controller (meter-in, meter-out, and needle valve)
<b>Materials</b>	Nickel-plated brass body, Buna-N seals, Nylon gaskets
<b>Mounting</b>	Right-angle male thread
<b>Installation</b>	in any position
<b>Operating temperature</b>	32° - 175° F (dry air necessary down to - 4° F)
<b>Operating pressure</b>	1 - 10 bar (14.5 to 145 psi)
<b>Nominal pressure</b>	6 bar (87 psi)
<b>Nominal flow</b>	see graph
<b>Nominal diameter</b>	M5 (10-32 UNF) = 1.5mm (.059"), 1/8" = 2 mm (.079") 1/4" = 4 mm (.157"), 3/8" = 7 mm (.275")
<b>Fluid</b>	filtered air
<b>Lubricant</b>	Oil compatible with Buna-N (3° - 10° E)
	*QN flowrate (SCFM) determined with a supply pressure of 6 bar (87 psi) and with a pressure drop of 1 bar (14.5 psi). **Dimensions are in inches

# Nickel-Plated Brass Flow-Control Valves: NPTF & Coated Threads (Optional)



## Features

- Nickel-Plated, All-metal Collet and Release ring
- All-Metal, Nickel-Plated body and Threads,
- Compact Brass bodies from Brass forgings
- Specialized O-ring choices for High-Temp, Low-Temp, Special Fluids, Food-Grade compatibility
- Multiple Thread sealant systems: Vibra-Seal Coated (Optional), Std NPTF & O-Ring Spot Face seals
- Broad Range of configurations
- Removable Collet and tube o-rings
- Highly accurate Flow-rate repeatability & Higher Flow
- Manual Adjustment knob w/ internal hex-key slot or Screw-Driver slot
- Hex Locking-nut
- Precise Manual knob, w/ Internal hex-key
- Full Swivel design, NPTF and Metric/BSP, with integrated Push-In Fittings or Female thread ports
- Alternate Non-Swivel design with Banjo Tube connections and thread adapters
- Meter-IN, Meter-OUT and Needle-Orifice flow designs for assembly on valves, cylinders or in-line use
- Alternate sintered bronze banjo for fully adjustable silencer/muffler with speed control for exhaust port mounting, ( see Part No. 2905 to add to any banjo flow control body)

## Benefits

### Collet

- Won't break like plastic release rings and bodies; More Durable design
- Higher holding force, with easier release
- Won't scratch tubes like "bite-ring" designs
- Less chance of micro-leakage and bubble-leaks over time due to damaged tubing

### Body

- Resistant to UV exposure
- Better resistance to stress-cracking, abrasion, solvents, detergents, hydrocarbons and other fluid media
- FDA/NSF approved materials, ( Including customized Nickel-Plating and o-ring options)
- Simplified manifold circuits with broader variety of fitting combinations and shapes to select
- Lighter weight for End-of-Arm tooling & Robotic handling,
- Compact design reduces overall dimensions for valve & cylinder assemblies, packaging applications and control cabinets
- 25 % Reduction in overall Body size, compared to previous Brass-Banjo line

### Design

- Accuracy and Repeatability of Flow-Control valves allows timing circuits to be design, faster OEM set-up and simplified MRO field installation and replacements
- Simplified manifold circuits with broader variety of Tube – Thread combinations to select
- Lighter weight for End-of-Arm tooling & Robotic handling
- Compact design reduces overall dimensions for valve assemblies, packaging applications and control cabinets
- More compact flow capacity reduces cylinder spacing with improved overall speed
- Fine tuning of flow with manual knob or screw-driver adjustment
- Convertible into "Tamper-Proof" by removing manual knob or sealing screw-driver slot
- Interchangeable Inch and Metric Tube O.D. banjo connections and thread adapters for "hybrid" Fittings and Flow-control valve requirements

**CODING EXAMPLE**

<b>GM</b>	<b>CU</b>	<b>04</b>	<b>-</b>	<b>02</b>
-----------	-----------	-----------	----------	-----------

<b>GM</b>	<p><b>ACTUATION:</b>                  GM = swivel body, manual adjustment                  GS = swivel body, screwdriver adjustment                  M = manual adjustment, non-swivel banjo                  S = screwdriver adjustment, non-swivel banjo</p>
<b>CU</b>	<p><b>ASSEMBLY:</b>                  CU = on cylinders (meter out)                  VU = on valves (meter in)                  CO = (needle orifice)</p>
<b>04</b>	<p><b>ATTACHMENTS</b>                  32F = 10-32 UNF Female Thread                  53 = 5/32" OD Tube                  02 = 1/8" OD Tube                  02F = 1/8" NPTF Female Thread                  04 = 1/4" OD Tube                  04F = 1/4" NPTF Female Thread                  05 = 5/16" OD Tube                  06 = 3/8" OD Tube                  06F = 3/8" NPTF Female Thread                  08 = 1/2" OD Tube                  08F = 1/2" NPTF Female Thread</p>
<b>02</b>	<p><b>Thread</b>                  32 = 10-32 UNF                  02 = 1/8" NPTF                  04 = 1/4" NPTF                  06 = 3/8" NPTF                  08 = 1/2" NPTF</p>

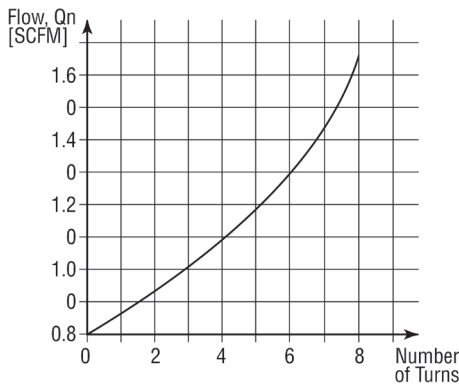
To ensure the right choice of unidirectional flow controller, proceed as follows: calculate the quantity of air in NI/min (see cylinder Table); determine the stroke time of the cylinder; refer to graph to see which controller is the right type.

METER IN, METER OUT, NEEDLE ORIFICE FLOW CONTROLLERS

To ensure the right choice of unidirectional flow controller, proceed as follows: calculate the quantity of air in NL/min (see cylinder Table); determine the stroke time of the cylinder; refer to graph to see which controller is the right type. In the case of bidirectional regulators, refer to the graph and check whether the flow control range is suitable for the work required. (NB: Qn is determined with a supply pressure of 6 bar and with DP = 1 bar at the outlet. N° = number of screw turns.)

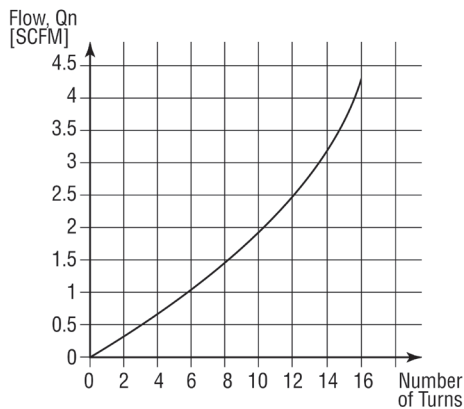
53-32

Flow Qn (NI/min.) from B → A with needle OPEN: 60 NL/min.  
(2.12 SCFM)  
Flow Qn (NI/min.) from B → A with needle CLOSED: 43 NL/min.  
(1.52 SCFM)



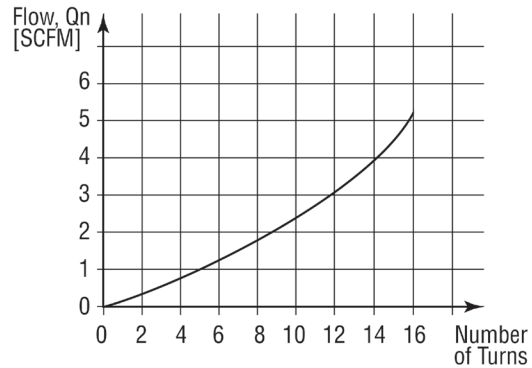
53-02

Flow Qn (NI/min.) from B → A with needle OPEN: 107 NL/min  
(3.78 SCFM)  
Flow Qn (NI/min.) from B → A with needle CLOSED: 28.3 NL/min.  
(1.0 SCFM)



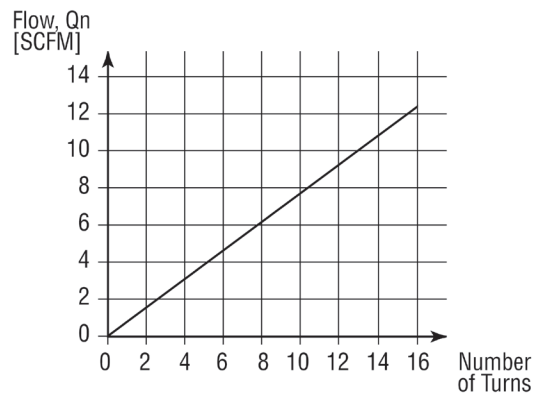
04-02

Flow Qn (NI/min.) from B → A with needle OPEN: 164 NL/min.  
(5.79 SCFM)  
Flow Qn (NI/min.) from B → A with needle CLOSED: 33.0 NL/min.  
(1.17 SCFM)



04-04

Flow Qn (NI/min.) from B → A with needle OPEN: 367 NL/min  
(12.96 SCFM)  
Flow Qn (NI/min.) from B → A with needle CLOSED: 133.0 NL/min  
(4.71 SCFM)

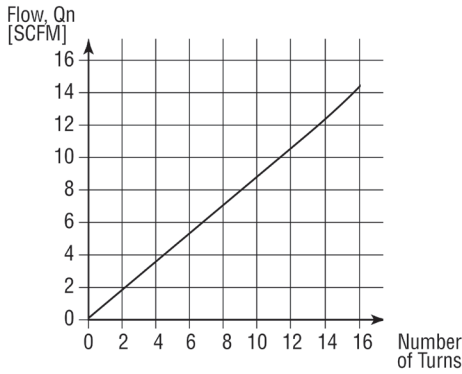


**UNIDIRECTIONAL AND BIDIRECTIONAL FLOW CONTROLLERS**

To ensure the right choice of unidirectional flow controller, proceed as follows: calculate the quantity of air in NL/min (see cylinder Table); determine the stroke time of the cylinder; refer to graph to see which controller is the right type. In the case of bidirectional regulators, refer to the graph and check whether the flow control range is suitable for the work required. (NB: Qn is determined with a supply pressure of 6 bar and with DP = 1 bar at the outlet. N° = number of screw turns.)

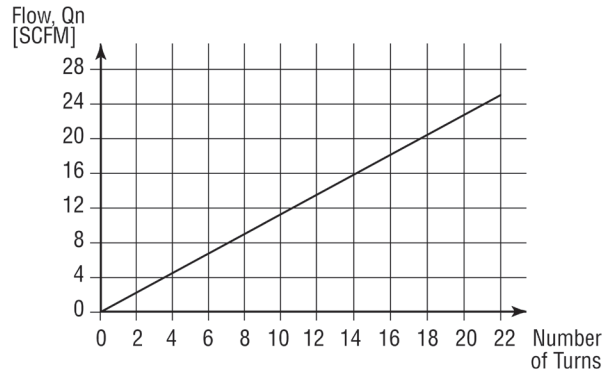
**06-04**

Flow Qn (NI/min.) from B → A with needle OPEN: 466 NL/min. (16.45 SCFM)  
 Flow Qn (NI/min.) from B → A with needle CLOSED: 153 NL/min. (5.40 SCFM)



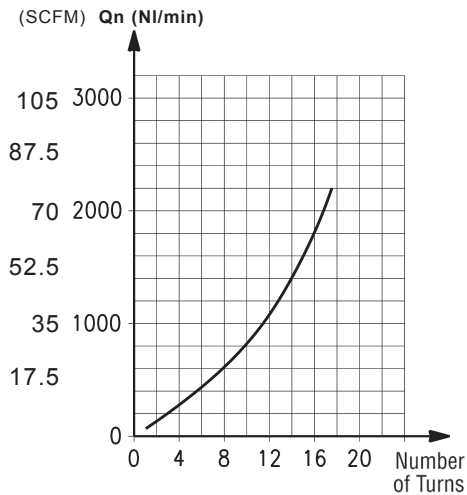
**06-06**

Flow Qn (NI/min.) from B → A with needle OPEN: 875 NL/min. (30.90 SCFM)  
 Flow Qn (NI/min.) from B → A with needle CLOSED: 428 NL/min. (15.11 SCFM)



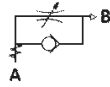
**08-08**

Flow Qn (NI/min.) from 2 → 1 with needle OPEN: 2570 (90.75 SCFM)  
 Flow Qn (NI/min.) from 2 → 1 with needle CLOSED: 1330 (46.95 SCFM)  
 NB: Qn is determined with a supply pressure of 6 bar and with ΔP = 1 bar at the outlet  
 N° = number of screw turns.

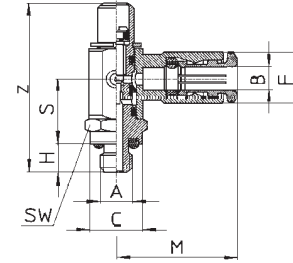


**Meter-Out Valves Series GSCU**

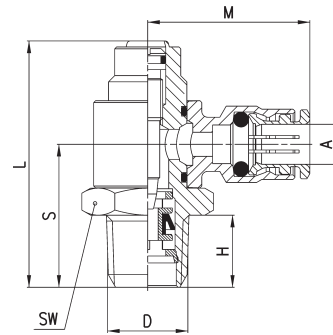
Meter-out unidirectional flow controller for mounting on cylinders or valves. It has a screwdriver adjustment with a right-angle push to connect tube fitting.



DIMENSIONS (in inches)										
Mod.	A UNF	B OD	C	S	H	L	M	F	SW	
GSCU 53-32	10-32	5/32	.307	.433	.177	1.080	.709	.346	.315	

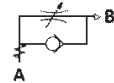


DIMENSIONS (in inches)								
Mod.	A OD	D NPTF	S	H	L	M	SW	
GSCU 02-02	1/8	1/8	.781	.315	1.441	.846	.551	
GSCU 53-02	5/32	1/8	.781	.315	1.441	.885	.551	
GSCU 04-02	1/4	1/8	.781	.315	1.441	.984	.551	
GSCU 04-04	1/4	1/4	.939	.472	1.594	1.063	.748	
GSCU 05-02	5/16	1/8	.781	.315	1.441	1.004	.551	
GSCU 05-04	5/16	1/4	.939	.472	1.594	1.083	.748	
GSCU 05-06	5/16	3/8	.961	.472	1.791	1.122	.866	
GSCU 06-04	3/8	1/4	.939	.472	1.594	1.181	.748	
GSCU 06-06	3/8	3/8	.961	.472	1.791	1.240	.866	

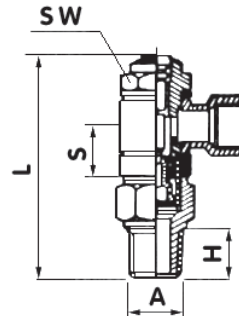


**Meter-Out Valves Series GSCU**

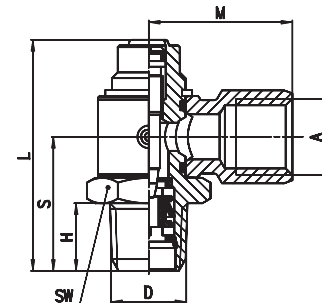
Meter-out unidirectional flow controller for mounting on cylinders or valves. It has screwdriver adjustment with right-angle female threads.



DIMENSIONS (in inches)						
Mod.	A UNF	BANJO UNF	S	H	L	SW
SCU 32F-32	10-32	10-32	.216	.177	1.141	.315



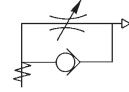
DIMENSIONS (in inches)							
Mod.	A NPTF	D NPTF	H	S	L	M	SW
GSCU 02F-02	1/8	1/8	0.315	0.768	1.449	0.787	0.551
GSCU 04F-04	1/4	1/4	0.472	0.925	1.614	1.004	0.748
GSCU 06F-06	3/8	3/8	0.472	0.945	1.803	1.102	0.866



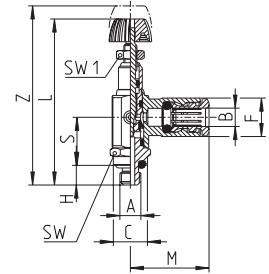
The company reserves the right to vary models and dimensions without notice. These products are designed for industrial applications and are not suitable for sale to the general public.

Meter-Out Valves Series GMCU

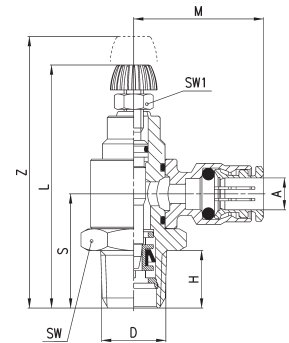
Meter-out unidirectional flow controller for mounting on cylinders or valves. It has a manual adjustment with a right-angle push to connect tube fitting.



DIMENSIONS (in inches)											
Mod.	A UNF	B OD	C	S	H	L	Z	M	F	SW	SW1
GMCU 53-32	10-32	5/32	.307	.433	.177	1.448	1.614	.709	.346	.315	.217

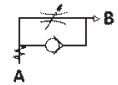


DIMENSIONS (in inches)										
Mod.	A OD	D NPTF	S	H	L	Z	M	SW	SW1	
GMCU 02-02	1/8	1/8	.781	.175	1.775	2.011	.846	.551	.275	
GMCU 53-02	5/32	1/8	.781	.315	1.775	2.011	.885	.551	.275	
GMCU 04-02	1/4	1/8	.781	.315	1.775	2.011	.984	.551	.275	
GMCU 04-04	1/4	1/4	.939	.472	1.994	2.227	1.063	.748	.275	
GMCU 05-02	5/16	1/8	.781	.315	1.775	2.011	1.004	.551	.275	
GMCU 05-04	5/16	1/4	.939	.472	1.994	2.227	1.083	.748	.275	
GMCU 05-06	5/16	3/8	.961	.472	2.223	2.538	1.122	.866	.393	
GMCU 06-04	3/8	1/4	.939	.472	1.994	2.227	1.181	.748	.275	
GMCU 06-06	3/8	3/8	.961	.472	2.223	2.538	1.240	.866	.393	

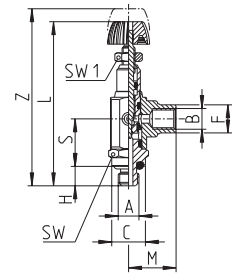


Meter-Out Valves Series GMCU

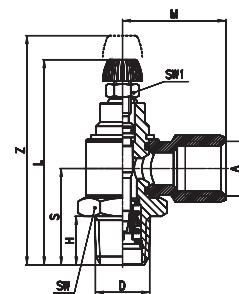
Meter-out unidirectional flow controller for mounting cylinders or valves. It has a manual adjustment with right-angle female threads.



DIMENSIONS (in inches)											
Mod.	A UNF	B UNF	C	S	H	L	Z	M	F	SW	SW1
GMCU 32F-32	10-32	10-32	.307	.433	.177	1.448	1.614	.433	.256	.315	.217

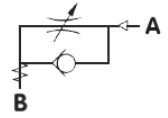


DIMENSIONS									
Mod.	A NPTF	D NPTF	H	S	L	Z	M	SW	SW1
GMCU 02F-02	1/8"	1/8"	0.315	0.768	2.031	1.815	0.787	0.551	0.276
GMCU 04F-04	1/4"	1/4"	0.472	0.925	2.224	1.992	1.004	0.748	0.276
GMCU 06F-06	3/8"	3/8"	0.472	0.945	2.610	2.291	1.102	0.866	0.394



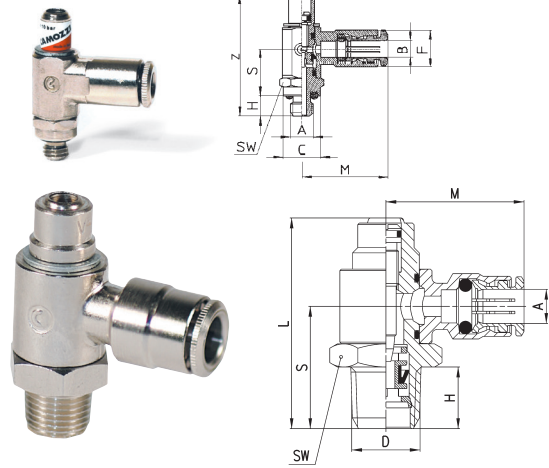
**Meter-In Valves Series GSVU**

Meter-in unidirectional flow control designed to be mounted on cylinders or valves. It has a screwdriver adjustment with a right-angle push to connect tube fitting.



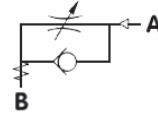
DIMENSIONS (in inches)									
Mod.	A UNF	B OD	C	S	H	L	M	F	SW
GSVU 53-32	10-32	5/32	.307	.433	.177	1.080	.709	.346	.315

DIMENSIONS							
Mod.	A OD	D NPTF	S	H	L	M	SW
GSVU 02-02	1/8	1/8	.781	.315	1.441	.846	.551
GSVU 53-02	5/32	1/8	.781	.315	1.441	.885	.551
GSVU 04-02	1/4	1/8	.781	.315	1.441	.984	.551
GSVU 04-04	1/4	1/4	.939	.472	1.594	1.063	.748
GSVU 05-02	5/16	1/8	.781	.315	1.441	1.004	.551
GSVU 05-04	5/16	1/4	.939	.472	1.594	1.083	.748
GSVU 05-06	5/16	3/8	.961	.472	1.791	1.122	.866
GSVU 06-04	3/8	1/4	.939	.472	1.594	1.181	.748
GSVU 06-06	3/8	3/8	.961	.472	1.791	1.240	.866



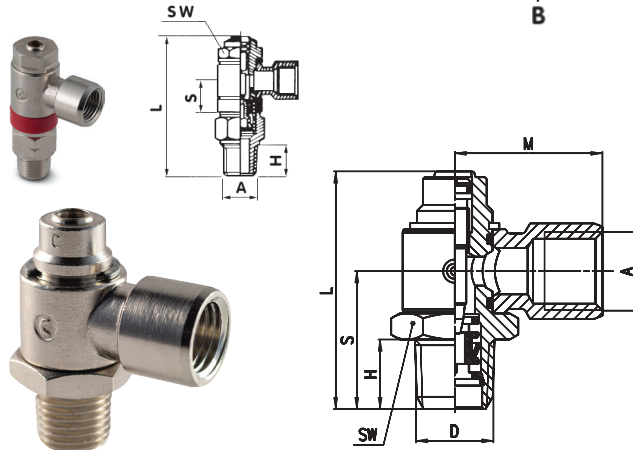
**Meter-In Valves Series GSVU**

Meter-in unidirectional flow control designed to be mounted on valves or cylinders. It has a screwdriver adjustment with right-angle female threads.



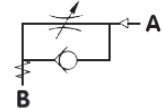
DIMENSIONS (in inches)						
Mod.	A UNF	BANJO UNF	S	H	L	SW
SVU 32F-32	10-32	10-32	.216	.177	1.141	.315

DIMENSIONS (in inches)							
Mod.	A NPTF	D NPTF	H	S	L	M	SW
GSVU 02F-02	1/8	1/8	0.315	0.768	1.449	0.787	0.551
GSVU 04F-04	1/4	1/4	0.472	0.925	1.614	1.004	0.748
GSCV 06F-06	3/8	3/8	0.472	0.945	1.803	1.102	0.866



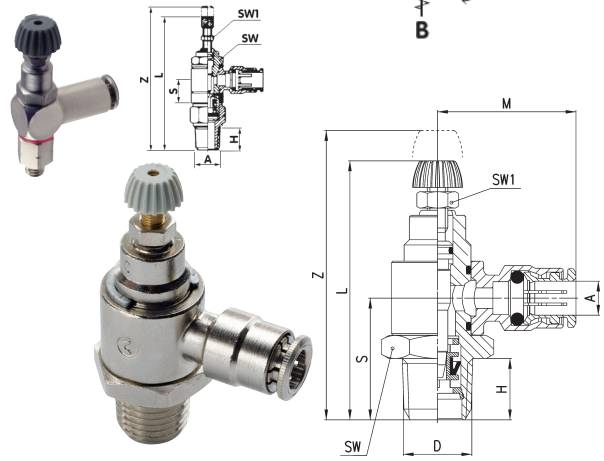
**Meter-In Valves Series GMVU**

Meter-in unidirectional flow control designed to be mounted on valves or cylinders. It has a manual adjustment with a right-angle push to connect tube fitting.



DIMENSIONS (in inches)								
Mod.	Tube OD	A UNF	S	H	L	Z	SW	SW1
MVU 53-32	5/32"	10-32	0.215	0.175	1.561	1.71	0.313	0.211

DIMENSIONS (in inches)									
Mod.	A OD	D NPTF	S	H	L	Z	M	SW	SW1
GMVU 02-02	1/8	1/8	.781	.175	1.775	2.011	.846	.551	.275
GMVU 53-02	5/32	1/8	.781	.315	1.775	2.011	.885	.551	.275
GMVU 04-02	1/4	1/8	.781	.315	1.775	2.011	.984	.551	.275
GMVU 04-04	1/4	1/4	.939	.472	1.994	2.227	1.063	.748	.275
GMVU 05-02	5/16	1/8	.781	.315	1.775	2.011	1.004	.551	.275
GMVU 05-04	5/16	1/4	.939	.472	1.994	2.227	1.083	.748	.275
GMVU 05-06	5/16	3/8	.961	.472	2.223	2.538	1.122	.866	.393
GMVU 06-04	3/8	1/4	.939	.472	1.994	2.227	1.181	.748	.275
GMVU 06-06	3/8	3/8	xxx	xxx	xxx	xxx	xxx	xxx	xxx



The company reserves the right to vary models and dimensions without notice. These products are designed for industrial applications and are not suitable for sale to the general public.

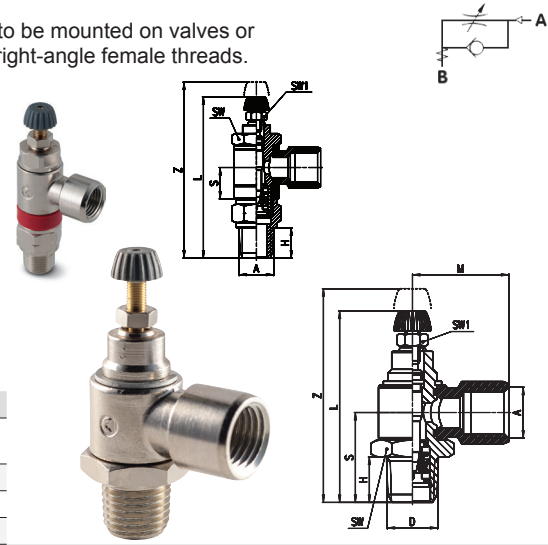


Meter-In Valves Series GMVU

Meter-in unidirectional flow control designed to be mounted on valves or cylinders. It has a manual adjustment with right-angle female threads.

DIMENSIONS (in inches)								
Mod.	A	BANJO	S	H	L	Z	SW	SW1
	UNF	UNF						
MVU 32F-32	10-32	10-32	.216	.177	1.500	1.670	.315	.216

DIMENSIONS (in inches)									
Mod.	A	D	H	S	L	Z	M	SW	SW1
	NPTF	NPTF							
GMVU 02F-02	1/8	1/8	0.315	0.768	2.031	1.815	0.787	0.551	0.276
GMVU 04F-04	1/4	1/4	0.472	0.925	2.224	1.992	1.004	0.748	0.276
GMVU 06F-06	3/8	3/8	0.472	0.945	2.610	2.291	1.102	0.866	0.394

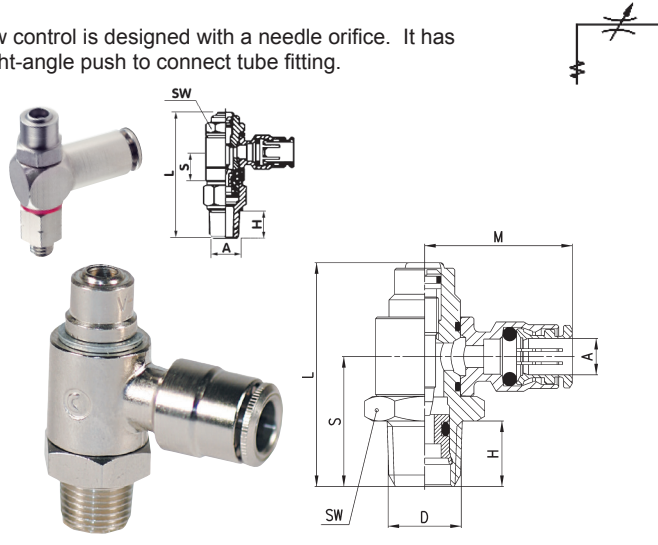


Needle Orifice Valves Series GSCO

This needle-orifice bidirectional flow control is designed with a needle orifice. It has a screwdriver adjustment with a right-angle push to connect tube fitting.

DIMENSIONS (in inches)						
Mod.	Tube OD	A	S	H	L	SW
		UNF				
SCO 53-32	5/32	10-32	0.215	0.175	1.22	0.313

DIMENSIONS (in inches)							
Mod.	A	D	S	H	L	M	SW
	OD	NPTF					
GSCO 02-02	1/8	1/8	.781	.315	1.441	.846	.551
GSCO 53-02	5/32	1/8	.781	.315	1.441	.885	.551
GSCO 04-02	1/4	1/8	.781	.315	1.441	.984	.551
GSCO 04-04	1/4	1/4	.939	.472	1.594	1.063	.748
GSCO 05-02	5/16	1/8	.781	.315	1.441	1.004	.551
GSCO 05-04	5/16	1/4	.939	.472	1.594	1.083	.748
GSCO 06-04	3/8	1/4	.939	.472	1.594	1.181	.748

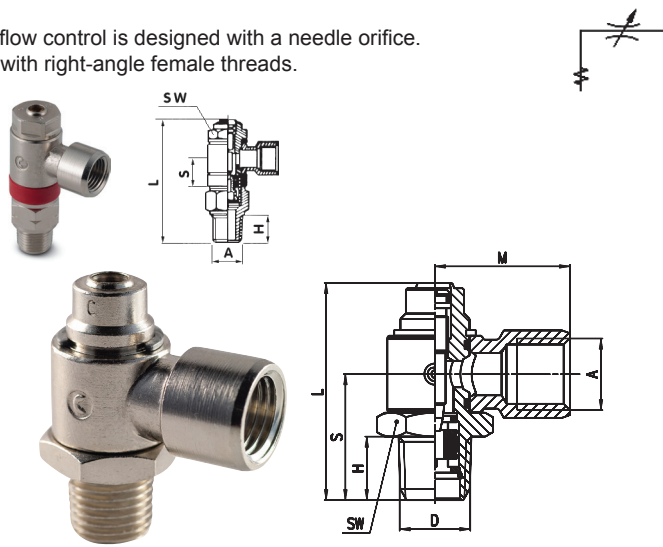


Needle Orifice Valves Series GSCO

This needle-orifice bidirectional flow control is designed with a needle orifice. It has a screwdriver adjustment with right-angle female threads.

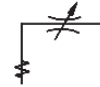
DIMENSIONS (in inches)						
Mod.	A	BANJO	S	H	L	SW
	UNF	UNF				
SCO 32F-32	10-32	10-32	.216	.177	1.141	.315

DIMENSIONS (in inches)							
Part No.	A	D	H	S	L	M	SW
	NPTF	NPTF					
GSCO 02F-02	1/8	1/8	0.315	0.768	1.449	0.787	0.551
GSCO 04F-04	1/4	1/4	0.472	0.925	1.614	1.004	0.748

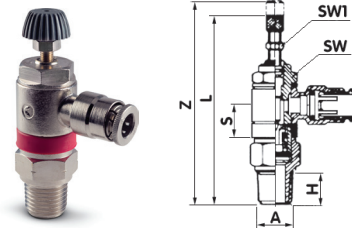


**Needle Orifice Valves Series GMCO**

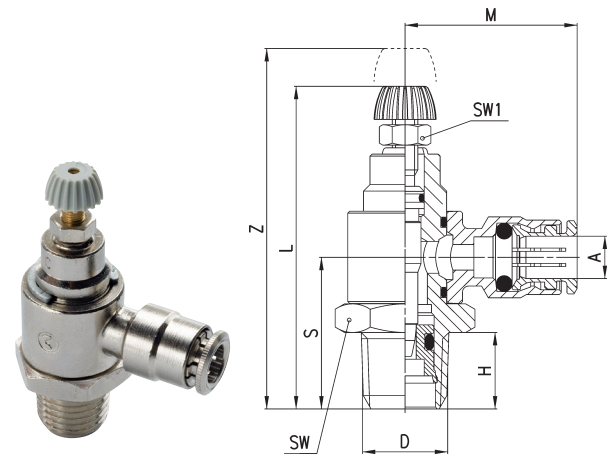
This needle-orifice bidirectional flow control is designed with a needle orifice. It has a manual adjustment with a right-angle push to connect tube fitting.



DIMENSIONS (in inches)								
Mod.	Tube OD	A UNF	S	H	L	Z	SW	SW1
MCO 53-32	5/32"	10-32	0.215	0.175	1.561	1.71	0.313	0.211
MCO 04-04	1/4"	1/4	0.767	0.472	2.413	2.649	0.588	0.275
MCO 05-04	5/16"	1/4	0.767	0.472	2.413	2.649	0.588	0.275
MCO 06-04	3/8"	1/4	0.767	0.472	2.413	2.649	0.588	0.275



DIMENSIONS									
Mod.	A OD	D NPTF	S	H	L	Z	M	SW	SW1
GMCO 02-02	1/8	1/8	.781	.175	1.775	2.011	.846	.551	.275
GMCO 53-02	5/32	1/8	.781	.315	1.775	2.011	.885	.551	.275
GMCO 04-02	1/4	1/8	.781	.315	1.775	2.011	.984	.551	.275
GMCO 05-02	5/16	1/8	.781	.315	1.775	2.011	1.004	.551	.275

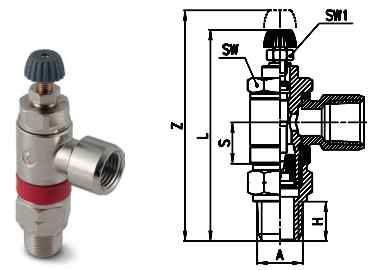


**Needle Orifice Valves Series MCO**

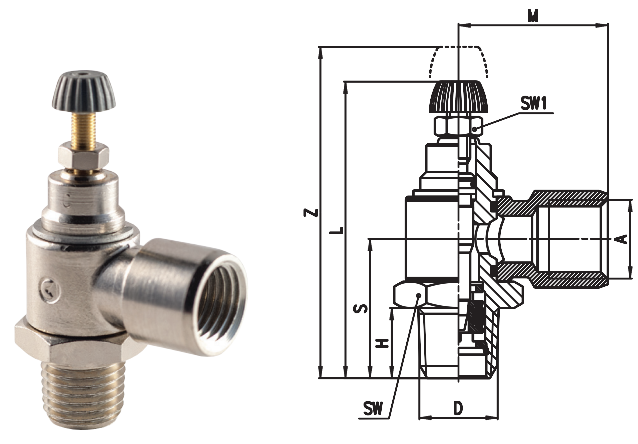
This needle-orifice bidirectional flow control is designed with a needle orifice. It has a manual adjustment with right-angle female threads.



DIMENSIONS (in inches)								
Mod.	A UNF	BANJO UNF	S	H	L	Z	SW	SW1
MCO 32F-32	10-32	10-32	.216	.177	1.500	1.670	.315	.216
MCO 04F-04	1/4	1/4	.453	.511	2.844	3.090	.669	.275



DIMENSIONS (in inches)									
Mod.	A NPTF	D NPTF	H	S	L	Z	M	SW	SW1
GMCO 02F-02	1/8	1/8	0.315	0.768	2.031	1.815	0.787	0.551	0.276

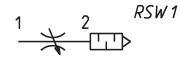
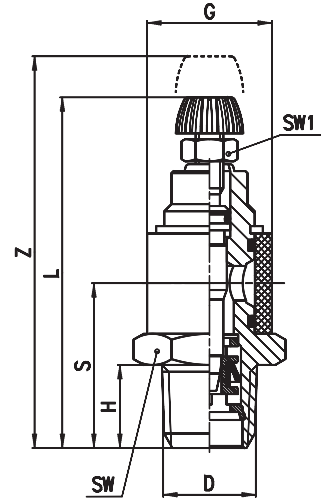


FLOW CONTROL VALVES NPTF

The company reserves the right to vary models and dimensions without notice. These products are designed for industrial applications and are not suitable for sale to the general public.

Silenced exhaust controllers Mod. GMCU 2905

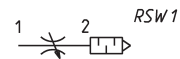
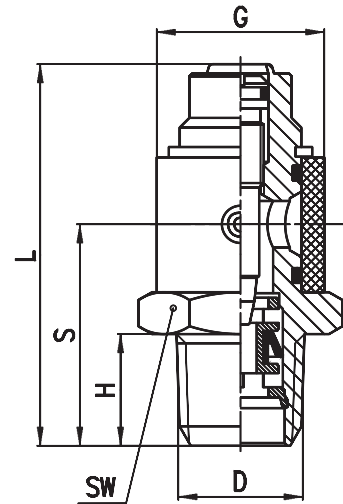
Meter-out unidirectional exhaust controller for mounting cylinders or valves. It has a manual adjustment with a sintered bronze banjo silencer.



DIMENSIONS (in inches)									
Mod.	D NPTF	G	H	S	L	Z	SW	SW	SW
GMCU 2905-02	1/8	0.551	0.315	0.768	2.031	1.815	0.551		0.276
GMCU 2905-04	1/4	0.709	0.472	0.925	2.224	1.992	0.748		0.276
GMCU 2905-06	3/8	0.827	0.472	0.945	2.610	2.291	0.866		0.394

Silenced exhaust controllers Mod. GSCU 2905

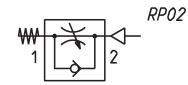
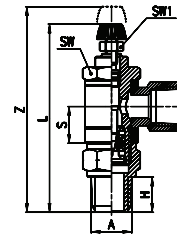
Meter-out unidirectional exhaust controller for mounting cylinders or valves. It has a screwdriver adjustment with a sintered bronze banjo silencer.



DIMENSIONS (in inches)						
Mod.	D NPTF	G	H	S	L	SW
GSCU 2905-02	1/8	0.551	0.315	0.768	1.449	0.551
GSCU 2905-04	1/4	0.709	0.472	0.925	1.614	0.748
GSCU 2905-06	3/8	0.827	0.472	0.945	1.803	0.866

**Unidirectional flow controllers Series MCU**

For mounting on single-acting or double-acting cylinders.  
Adjustment of setting by a manually operated knurled screw.

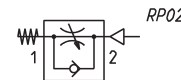
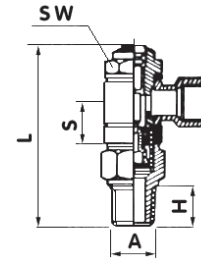


**DIMENSIONS (in inches)**

Mod.	Banjo Female Thread NPTF	A NPTF	S	H	L	Z	SW	SW1
MCU 08F-08	1/2"	1/2"	1.023	.610	4.685	5.295	1.063	.669

**Unidirectional flow controllers Series SCU**

For mounting on single-acting or double-acting cylinders.  
Screwdriver adjustment.

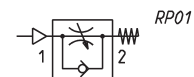
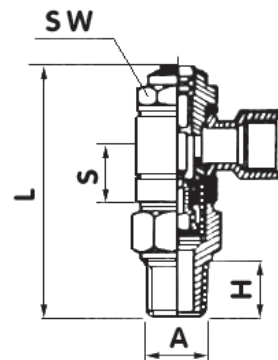


**DIMENSIONS (in inches)**

Mod.	Banjo Female Thread NPTF	A NPTF	S	H	L	SW
SCU 08F-08	1/2"	1/2"	1.023	.610	3.169	1.063

**Unidirectional flow controllers Series SVU**

For mounting on valves.  
Screwdriver adjustment.

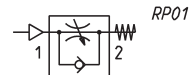
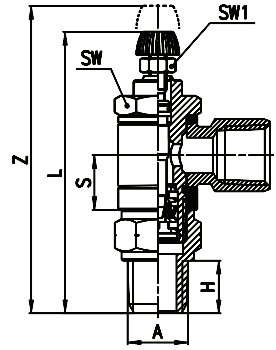


**DIMENSIONS (in inches)**

Mod.	Banjo Female Thread NPTF	A NPTF	S	H	L	SW
SVU 08F-08	1/2"	1/2"	1.023	.610	3.169	1.036

Unidirectional flow controllers Series MVU

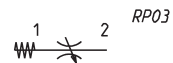
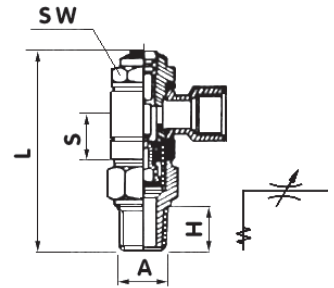
For mounting on valve.  
Adjustment of setting by a manually operated knurled screw.



DIMENSIONS (in inches)								
Mod.	Banjo Female Thread NPTF	A NPTF	S	H	L	Z	SW	SW1
MVU 08F-08	1/2"	1/2"	1.023	.610	4.685	5.295	1.063	.669

Bidirectional flow controllers Series SCO

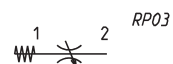
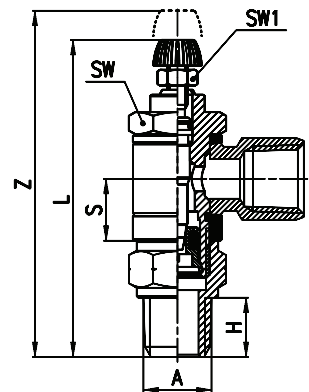
Screwdriver adjustment.



DIMENSIONS (in inches)						
Part No.	Banjo Female Thread NPTF	A NPTF	S	H	L	SW
SCO 08F-08	1/2"	1/2"	1.023	.610	3.169	1.063

Bidirectional flow controllers Series MCO

Adjustment of setting by a manually operated knurled screw.



DIMENSIONS (in inches)								
Mod.	Banjo Female Thread NPTF	A NPTF	S	H	L	Z	SW	SW1
MCO 08F-08	1/2"	1/2"	1.023	.610	4.685	5.295	1.063	.669