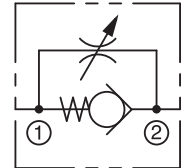


DESCRIPTION

A Stainless Steel Instrumentation Flow Control Valve

A spring biased poppet check provides free flow in one direction. A fine metering tapered needle provides a range of adjustment in the controlled direction. A locknut prevents unwanted changes in adjustment.



- 316 Stainless Steel
- Fine Metering
- Bubble-Tight poppet-style check
- T-Bar handle (removable if desired)
- Lock Nut to maintain flow setting
- Ideal for food processing and petro chemical industries



SPECIFICATIONS

Maximum Operating Pressure

Stainless Steel: 1,000 psi (69 bar) and 500 psi (34 bar)

Flow Rating

Maximum Recommended Flow: 1.5 gpm (5.7 lpm) & 3.0 gpm (11.4 lpm)

Operating Temperature Range

-15° to +400° F (-26° to +204° C)

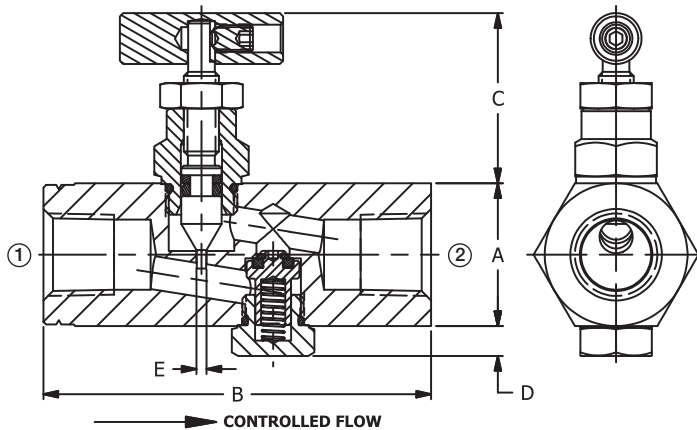
Threads

NPTF

Materials

Body, Housing: Stainless Steel 316
 Needle: Stainless Steel 316
 O-Ring: Viton
 Back-Up Washer: Teflon
 Poppet: Stainless Steel 316 with Viton Quad Ring
 Spring: Stainless Steel 316
 Lock Nut: Stainless Steel 316
 Handle: Stainless Steel 316
 Set Screw: Stainless Steel 303

INSTALLATION DIMENSIONS



Pipe Size	A HEX	B	C Open	D	E Orifice
1/8"	11/16 (17.5)	1-3/4 (44.5)	7/8 (22.3)	3/16 (4.8)	.050 (1.3)
1/4"	7/8 (22.3)	2-3/8 (60.4)	1-1/16 (27.0)	3/16 (4.8)	.062 (1.6)

() Parentheses = Millimeters

HOW TO ORDER

Size	NPTF Thread	Rated Pressure psi (bar)	Rated Flow gpm (lpm)
	Stainless Steel		
1/8"	SFP10SSB	1,000 (69)	1.5 (5.7)
1/4"	SFP20SSB	500 (34)	3.0 (11.4)