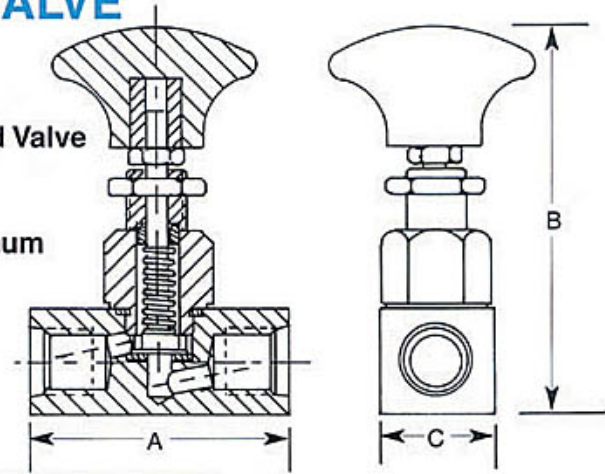


## ◀ Pneu-Trol<sup>®</sup> MANUAL PULL VALVE

- Manual Pull Operated Two-Way Normally Closed Valve
- SAE #4 Ports
- Maximum Flow - 5 GPM
- 2000 PSI (138 Bar) Maximum Operating Pressure



### DIMENSION

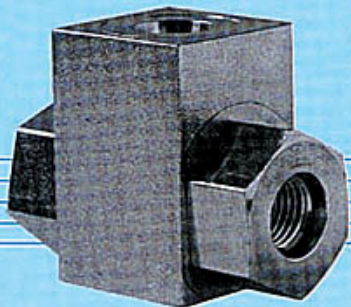
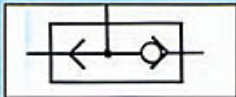
Size	A	B	C
SAE-4	1.87"	2.4"	0.75"

### ORDERING INFORMATION

Size	Material	Part #	Cv
SAE-4	Brass	PV420B	.204

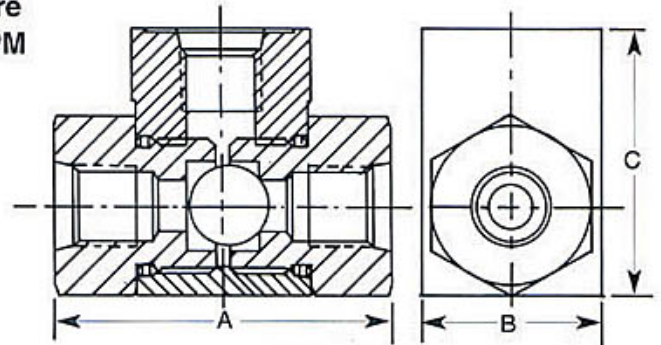
### MATERIAL

Body - Brass  
Housing - Brass  
Stem - Brass  
Knob - Plastic  
O-Ring - Buna



## ◀ Pneu-Trol<sup>®</sup> HYDRAULIC SHUTTLE VALVE

- 3000 PSI (207 Bars) Maximum Operating Pressure
- Rated Flow - 5 GPM



### DIMENSIONS

Size	A	B	C
SAE-4	1.87"	1.0"	1.5"

### ORDERING INFORMATION

Size	Material	Part #	Cv
SAE-4	Steel	SVM420S	.45

### MATERIAL

Body - Steel  
O-Ring - Buna  
Ball - SST-440