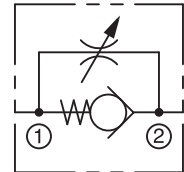


**A Variable Flow Restrictor with Positive Shut-Off and Free Reverse Flow**

A wide range of flow adjustment in the controlled flow direction is possible because of the fine thread and tapered needle. A spring biased ball check allows full flow in the opposite direction. Unwanted changes in adjustment are prevented by a lock nut.



- A wide range of flow adjustability
- Positive shut-off
- 316 Stainless Steel
- T-Bar handle (removable if desired)
- Lock Nut to maintain flow setting
- Ideal for food processing and petro chemical industries



**SPECIFICATIONS**

**Maximum Operating Pressure (Non-Shock Service)**

Stainless Steel: 5,000 psi (345 bar)

**Cracking Pressure**

1 to 2.5 psi (.07 to .17 bar)

**Operating Temperature Range**

-15° to +400° F (-26° to +204° C)

**Threads**

NPTF

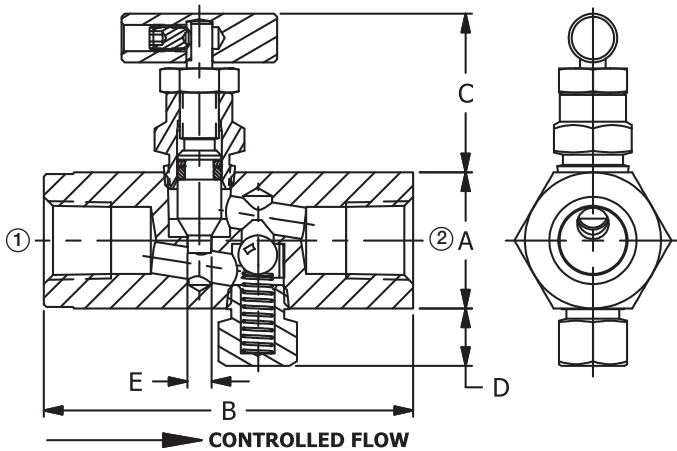
**Materials**

Body, Housing, Plug: Stainless Steel 316  
Collar: Stainless Steel 303  
Needle: Stainless Steel 316  
O-Ring: Viton  
Back-Up Washer: Teflon  
Ball: Stainless Steel 316  
Spring: Stainless Steel 316  
Lock Nut: Stainless Steel 316  
Handle: Stainless Steel 316  
Knob: Stainless Steel 303

**FLOW RATING**

Size	Max Recommended Flow gpm (lpm)	Co-Efficient (Cv Factor)
1/4"	3.0 (11.4)	.43
1/2"	8.0 (30.3)	1.24

**INSTALLATION DIMENSIONS**



Pipe Size	A HEX	B	C	D	E Orifice
1/4"	7/8 (22.2)	2-3/8 (60.3)	1-1/8 (28.6)	23/64 (9.1)	.156 (4.0)
1/2"	1-5/16 (33.4)	3-3/16 (81.0)	1-17/32 (38.9)	15/32 (11.9)	.281 (7.2)

( ) Parentheses = Millimeters

**HOW TO ORDER**

Size	NPTF Thread
	Stainless Steel
1/4"	F20SS316K
1/2"	F30SS316K