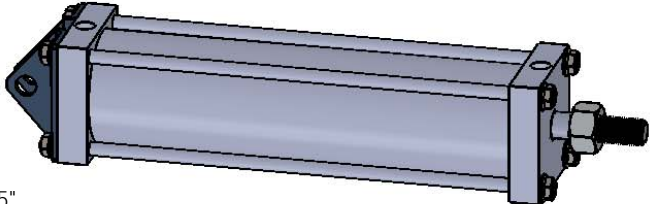
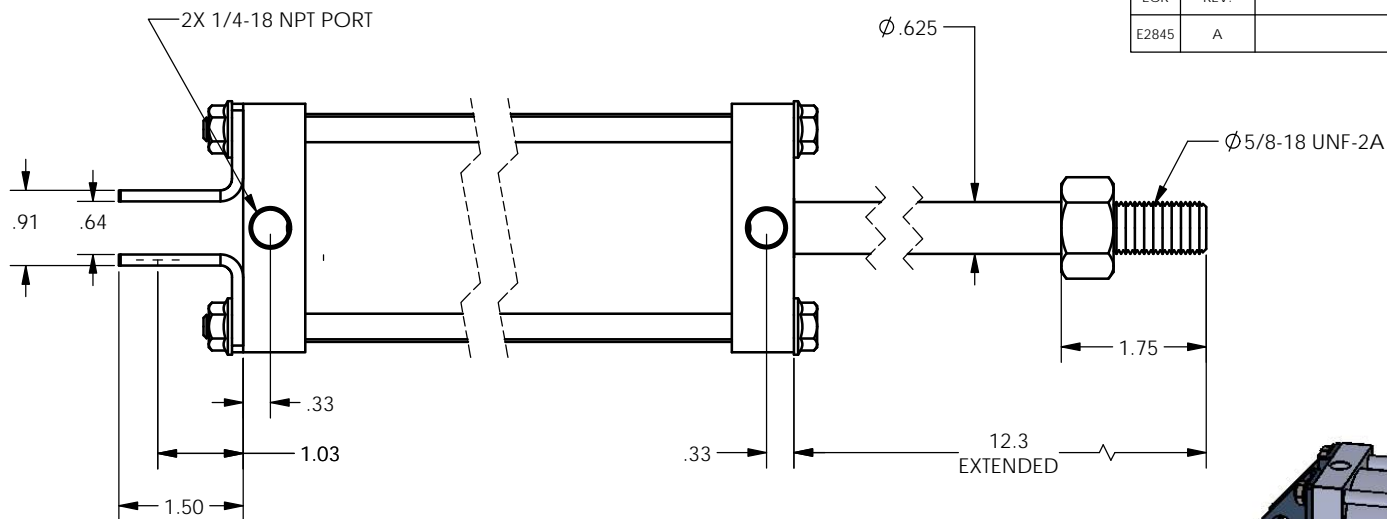
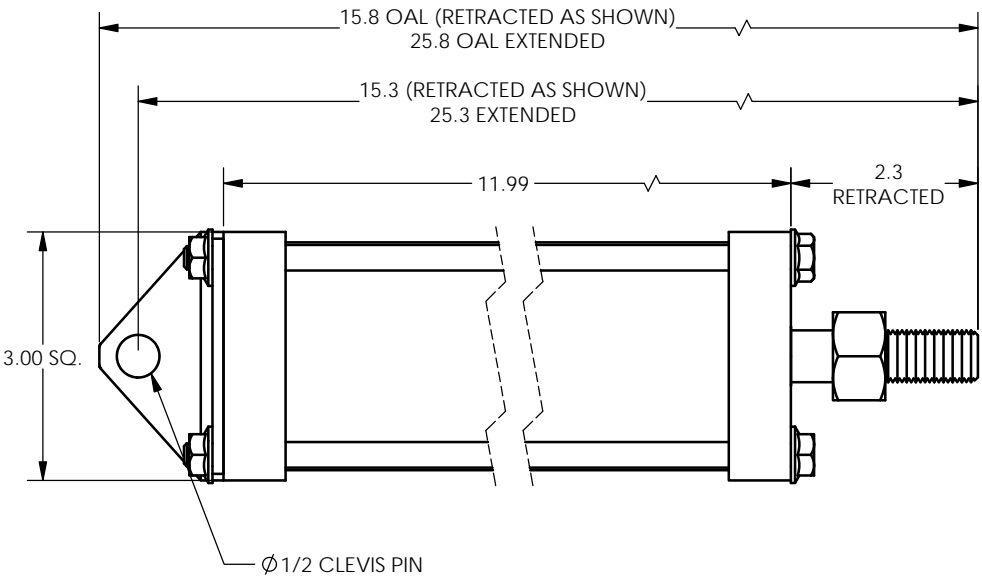


REVISIONS				
ECR	REV.	DESCRIPTION	DATE	CHG BY
E2845	A	See Sheet1	08/04/2015	RR



NOTES:

BORE = Ø2.5"
 STROKE = 10.0
 RETRACTED PIN TO END OF ROD = 15.3
 EXTENDED PIN TO END OF ROD = 25.3
 EXTENSION FORCE @ 100PSI= 491 LBS
 RETRACT FORCE @ 100PSI= 460 LBS



PORTS ON TOP

<p>ASSEMBLY DO NOT SCALE DRAWING UNLESS OTHERWISE SPECIFIED DIMENSIONS ARE IN INCHES TOLERANCES ARE:</p> <p>X = ±.06 .XX = ±.03 .XXX = ±.010</p> <p>ANGLES = ±2°</p> <p>6.3 SURFACE TEXTURE OR BETTER</p> <p>TYPE OF PROJECTION</p> <p>THIRD ANGLE PROJECTION</p> <p>SHEET SIZE B</p>	<p>PROPRIETARY AND CONFIDENTIAL THE INFORMATION CONTAINED IN THIS DRAWING IS THE SOLE PROPERTY OF APSCO Inc.. ANY REPRODUCTION IN PART OR AS A WHOLE WITHOUT WRITTEN PERMISSION OF APSCO Inc. IS PROHIBITED.</p> <table border="1"> <tr> <td>DRAWN</td> <td>RR</td> <td>DATE</td> <td>8/4/2015</td> </tr> <tr> <td>CHECKED</td> <td>DJ</td> <td>DATE</td> <td>8/4/2015</td> </tr> <tr> <td>APPROVED</td> <td>FH</td> <td>DATE</td> <td>8/4/2015</td> </tr> <tr> <td>FINAL</td> <td>FH</td> <td>DATE</td> <td>08/4/2015</td> </tr> </table>	DRAWN	RR	DATE	8/4/2015	CHECKED	DJ	DATE	8/4/2015	APPROVED	FH	DATE	8/4/2015	FINAL	FH	DATE	08/4/2015	TITLE: CYL 2.5 X 10 DA 8 BR	
		DRAWN	RR	DATE	8/4/2015														
		CHECKED	DJ	DATE	8/4/2015														
		APPROVED	FH	DATE	8/4/2015														
FINAL	FH	DATE	08/4/2015																
DWG. NO. C-5080		MATERIAL	N/A																
FINISH		N/A																	
<p>8175 EAST 44TH STREET TULSA, OK 74145</p>		REV	A																
F/N: C-5080		SHT. 2 OF 2																	