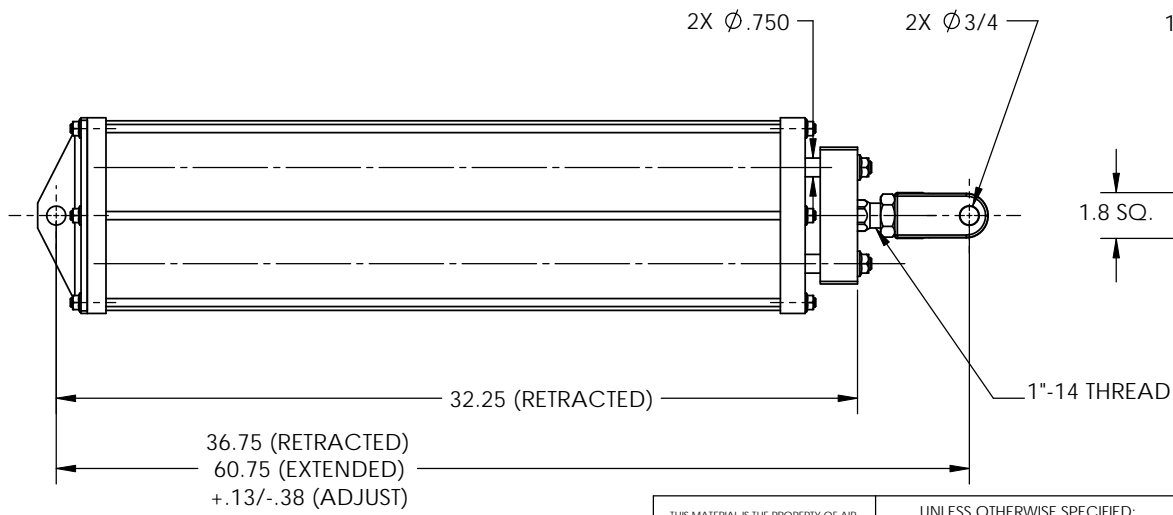
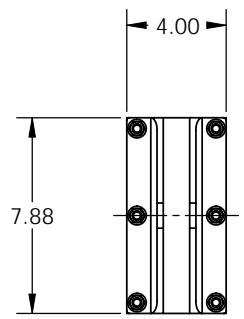
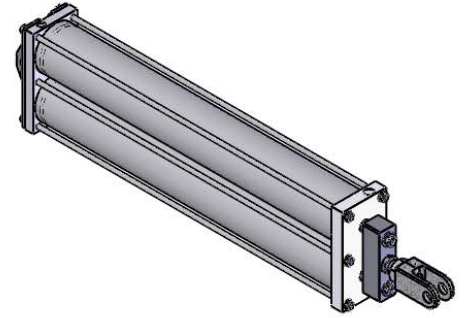
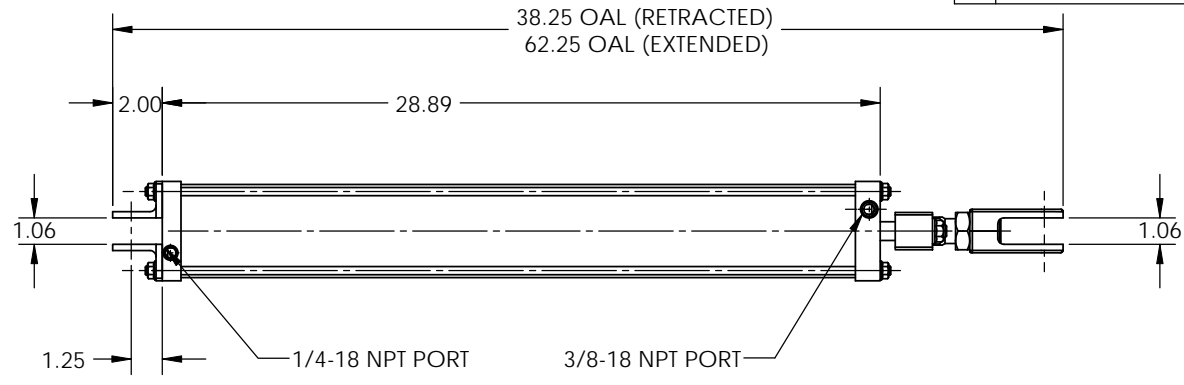


REVISIONS			
REV	DESCRIPTION	APPROVAL	DATE
-	NEW RELEASE	GK	1-4-07



BORE : 2X ϕ 3-1/2"
STROKE: 24.0"
TOTAL AREA EXTEND: 19.242 SQ IN
TOTAL AREA RETRACT: 18.358 SQ IN
WEIGHT: 35.5 LBS

THIS MATERIAL IS THE PROPERTY OF AIR POWER SYSTEMS CO., INC AND IS FURNISHED FOR THE PURPOSE INDICATED. ANY AND ALL CONFIDENTIAL PROPRIETARY, PATENT AND OTHER RIGHTS IN THE SUBJECT MATTER BEING RETAINED INCLUDING ANY EXCLUSIVE RIGHTS OF USE AND/OR MANUFACTURE AND/OR SALE POSSESSION OF THIS MATERIAL DOES NOT CONVEY ANY PERMISSION TO REPRODUCE THIS MATERIAL IN WHOLE OR IN PART, OR MANUFACTURE THE SUBJECT MATTER SHOWN THEREIN OR USE THE CONFIDENTIAL OR PROPRIETARY INFORMATION THEREON, SUCH PERMISSION TO BE GRANTED ONLY BY SPECIFIC AUTHORIZATION IN WRITING BY AN OFFICER OR OTHER AUTHORIZED AGENT OF AIR POWER SYSTEMS CO., INC, IT'S DIVISIONS OR SUBSIDIARIES

UNLESS OTHERWISE SPECIFIED:
DIMENSIONS ARE IN INCHES
TOLERANCES ARE:

DECIMALS
X = \pm .03
.XX = \pm .010
XXX = \pm .005

125/ SURFACE TEXTURE
OR BETTER
ANGLES = \pm .5
FRACTIONS \pm 0.015

MATERIAL:
 ϕ 3-1/2" BORE X 1/8" WALL ALUMINUM CYL.
ALUMINUM END CAPS
C1045/1050 CPO ROD

AIR POWER SYSTEMS CO. INC.
8178 EAST 44th STREET
TULSA, OK 74145

DRAWN GK	DATE 10-23-06	APPROVED	DATE
TITLE: TWIN CYL. ϕ3-1/2" X 24" ϕ 3/8" X 6 TIE			
SIZE B	CAGE CODE 4V549	DRAWING NO. C-6224	REV -
DO NOT SCALE DRAWING			SHEET 1 OF 1