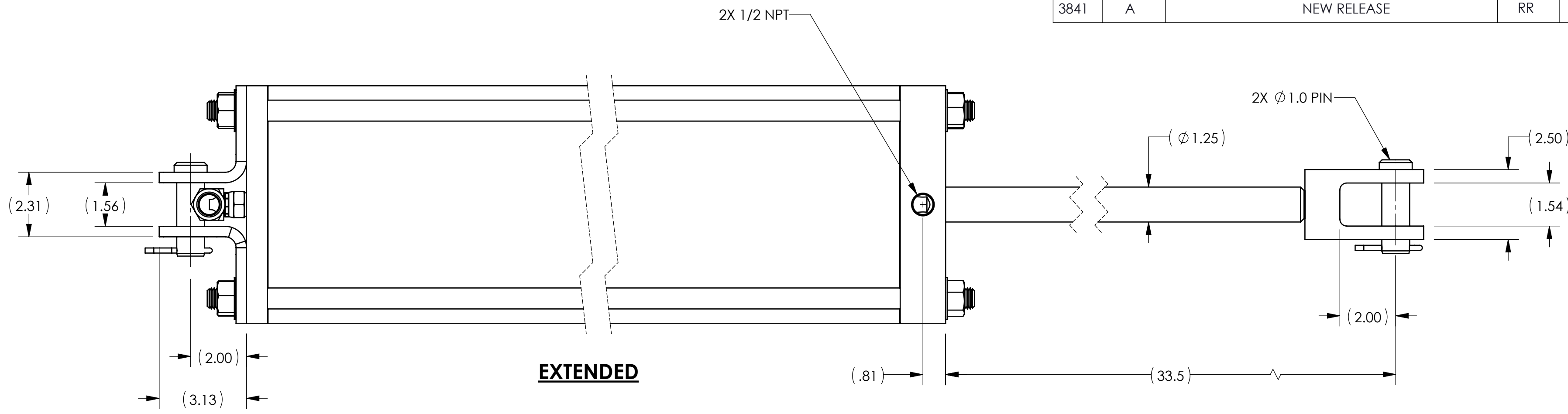
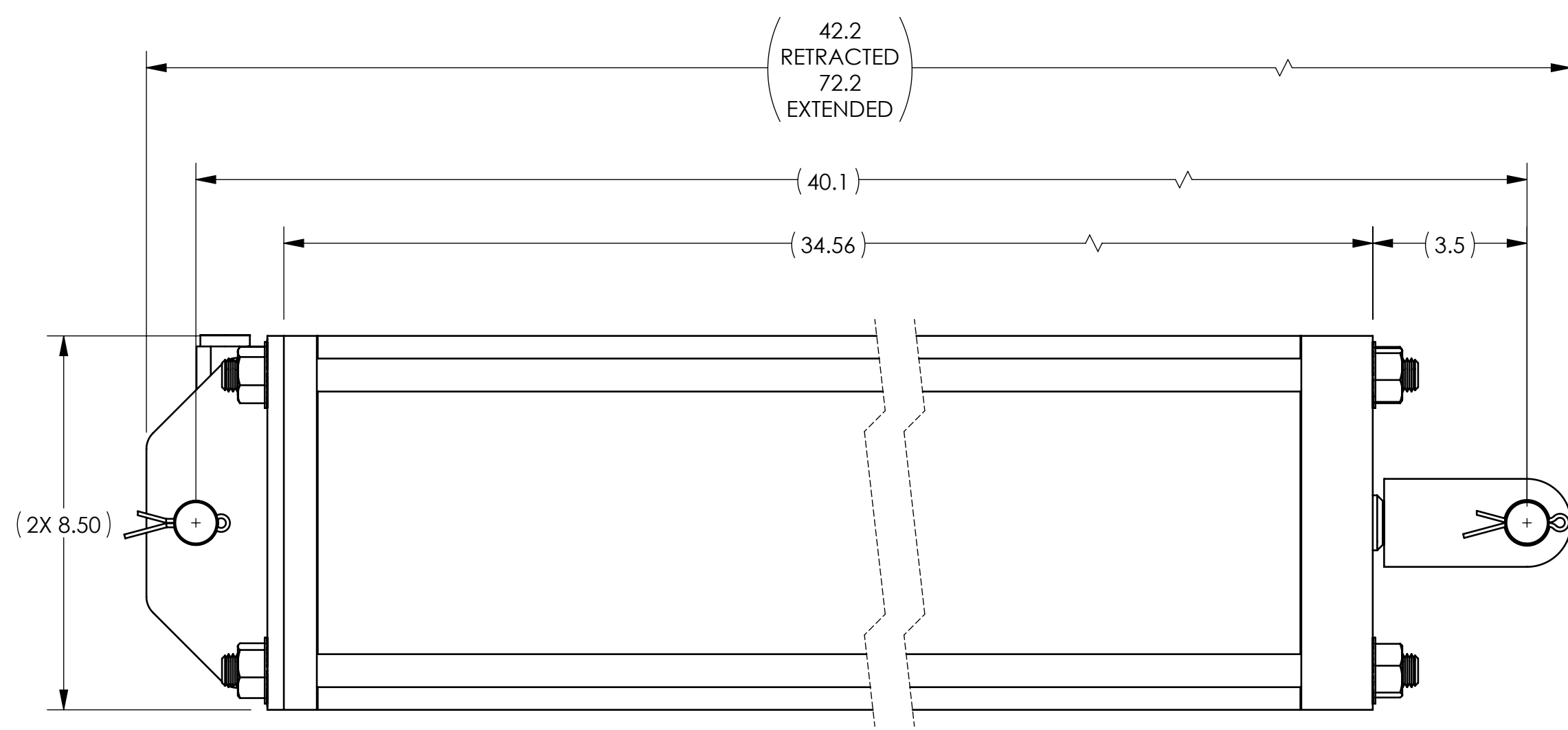


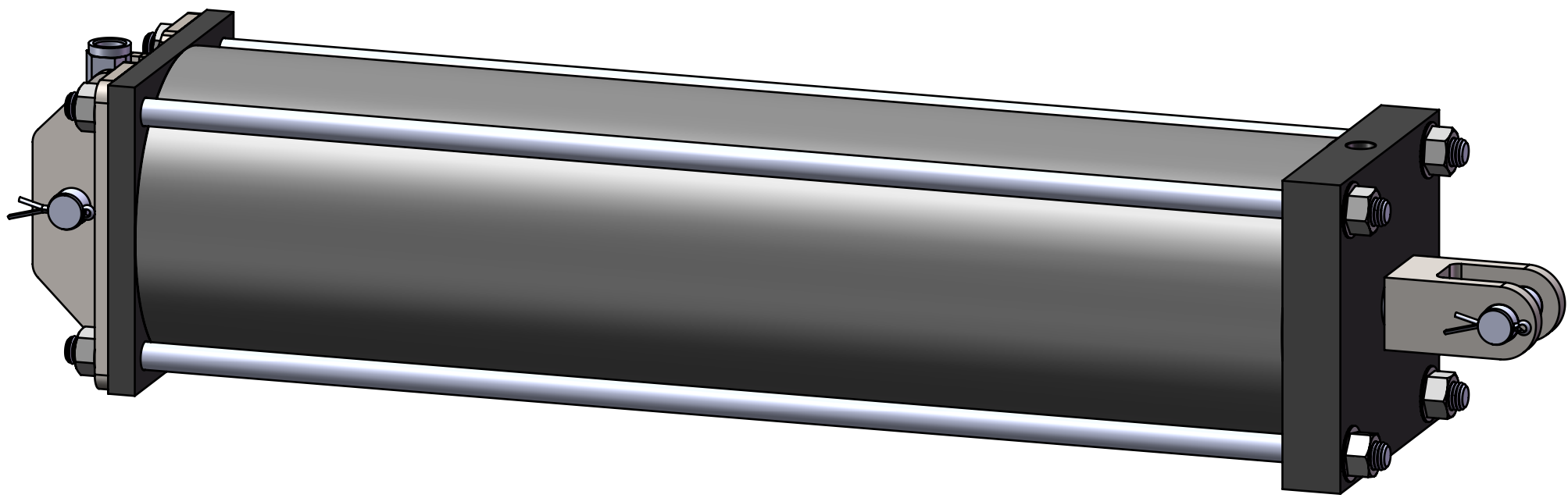
REVISIONS					
ECR	REVISION	DESCRIPTION	CHANGED BY	DATE	APPROVED BY
3841	A	NEW RELEASE	RR	8/20/2020	RT



EXTENDED



RETRACTED



PROPRIETARY AND CONFIDENTIAL
 THE INFORMATION CONTAINED IN THIS DRAWING IS THE SOLE PROPERTY OF APSCO Inc.. ANY REPRODUCTION IN PART OR AS A WHOLE WITHOUT WRITTEN PERMISSION OF APSCO Inc. IS PROHIBITED.

TYPE OF PROJECTION		MATERIAL
THIRD ANGLE PROJECTION		N/A
DRAWN	DATE	FINISH
RR	8/18/2020	
CHECKED	DATE	N/A
KT	8/18/2020	
APPROVED	DATE	
RT	8/18/2020	
FINAL	DATE	
RT	8/18/2020	

APSCO
 8178 EAST 44TH STREET
 TULSA, OK 74145
 (918) 622-5600

TITLE: **CYL 8 X 30 DA 16 BR PK COMP**

UNLESS OTHERWISE SPECIFIED
 DIMENSIONS ARE IN INCHES
 TOLERANCES ARE:

DECIMALS	SURFACE FINISH: 63	DWG. NO.
.X = ±.06	ANGLES ± 2°	C-9873-C-PK-1
.XX = ±.03	HOLES ± .005	SHEET SIZE
.XXX = ±.010	HOLES LOCATION ± .005	SCALE
DO NOT SCALE DRAWING		REVISION
		C 1:3 A

F/N: C-9873-C-PK-1 SHT. 2 OF 2