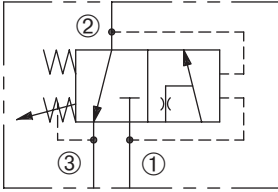


# DPSK-100 (Reset 120 PSI)

Adjustable, Pilot-Operated Kick-Down Sequence Valve

## SERIES 10



### DESCRIPTION

An adjustable, pilot-operated spool cartridge valve designed to direct oil to a circuit when a predetermined pressure has been reached.

### OPERATION

The DPSK-100 in the steady state blocks flow at ① while allowing flow from ② to ③. When the preset pressure at ① is achieved, the pilot section opens. This pilot flow creates a pressure differential across the spool, which causes the spool to shift to allow flow from ① to ②. The spool will not shift back (kick-down) until pressure at ② falls below a predetermined pressure.

### FEATURES and BENEFITS

- Lower kick-down pressure than DPSK2-100 (see page 7.06.1).
- Variety of pressure ranges.
- Hardened precision spool and sleeve for long life.
- Hidden adjustment (tamper resistant) option.
- Aluminum knob and disc nut option.
- Adjustment may be locked in place.
- Industry common cavity.

### SPECIFICATIONS

**Operating Pressure:** 3000 psi (207 bar)

**Flow:** See PRESSURE DROP VS. FLOW graph.  
Nominal flow 5 gpm (18.9 lpm)

**Internal Leakage:** 5 in<sup>3</sup>/min (82 cc/min) max. at 3000 psi (207 bar)

**Spring Range:** 300 to 3000 psi (21 to 207 bar)  
Preset (See HOW TO ORDER)

**Reset Spring Pressure:** 120 psi (8 bar)

**Temperature:** -30°F to +250°F (-35°C to +120°C)

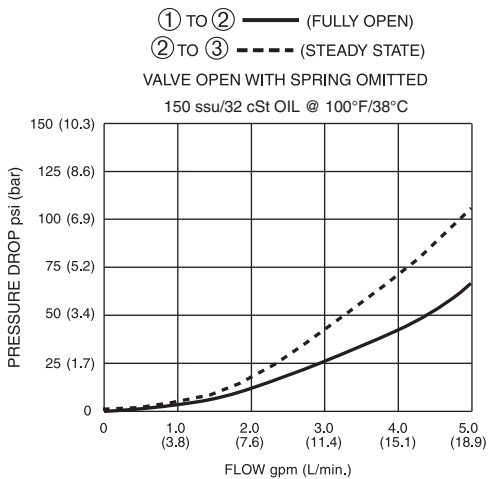
**Recommended Filtration:** ISO 20/18/14

**Fluids:** Mineral-based fluids. For other fluid compatibility, consult factory.

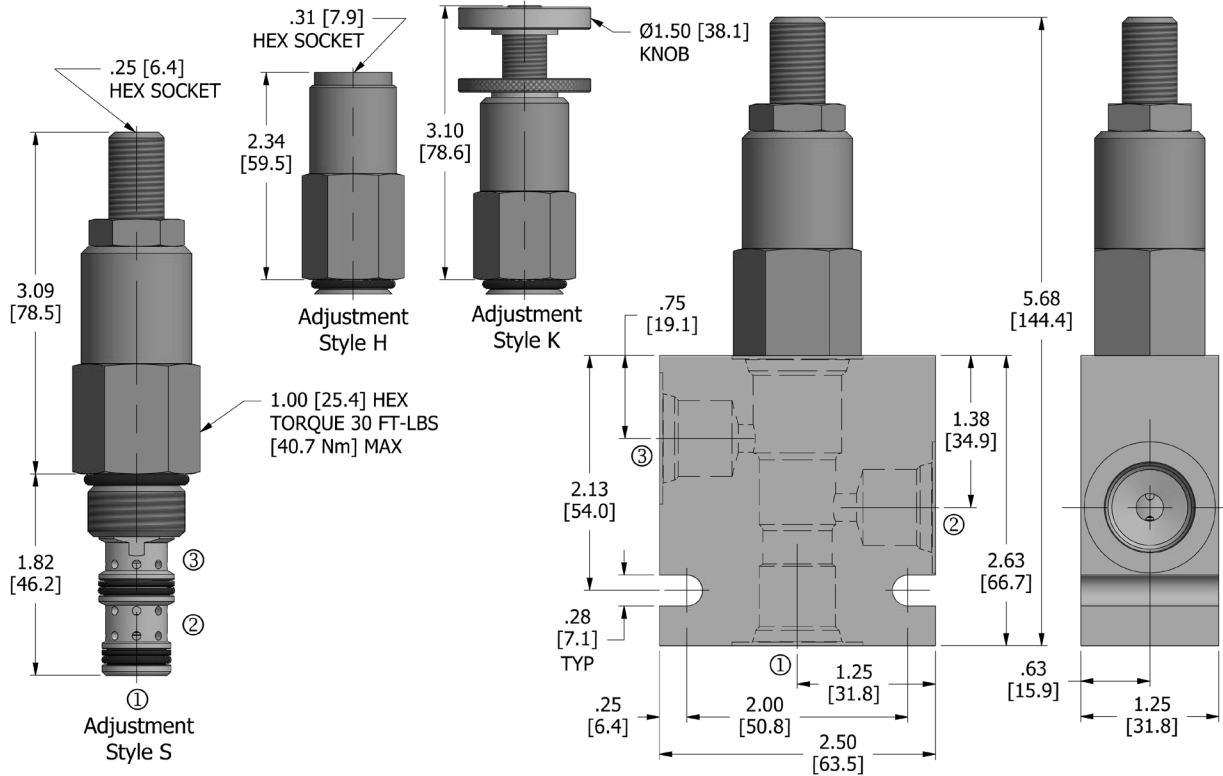
**Cavity/Cavity Tool:** 100-3, see page 11.10.3

**In-Line Body Material:** Anodized 6061T6 aluminum alloy rated at 3000 psi (207 bar).

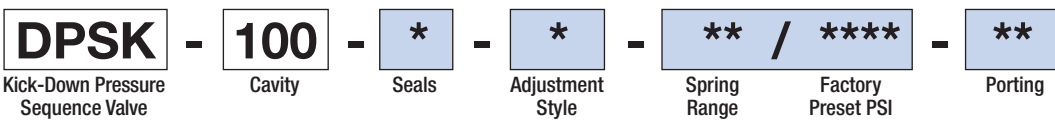
### PRESSURE DROP VS. FLOW



**DIMENSIONS** Inches [Millimeters]



**HOW TO ORDER**



Seals		Seal Kit
<b>N</b>	Buna N	
<b>V</b>	Viton	

Spring Range		Preset
<b>5</b>	300 to 500 psi (21 to 34 bar)	400 psi (28 bar)
<b>30</b>	350 to 3000 psi (24 to 207 bar)	2000 psi (138 bar)

Porting†		In-Line Body w/o Cartridge
omit	Cartridge only	
<b>2N</b>	1/4 PTF	B-100-3-2N
<b>3N</b>	3/8 PTF	B-100-3-3N
<b>6T</b>	SAE 6	B-100-3-6T
<b>8T</b>	SAE 8	B-100-3-8T

Adjustment Style	
<b>H</b>	Hidden
<b>K</b>	Knob
<b>S</b>	Screw

Factory Preset PSI	
omit	Standard preset
<b>****</b>	example: 2550 = 2550 psi

† Other options available – consult factory

Valve and In-Line Body are supplied individually and need to be assembled. For a completed assembly consult the factory.

All variations may not be configurable. Minimum order quantities may be required on other models. Contact Deltrol Fluid Products for complete details.