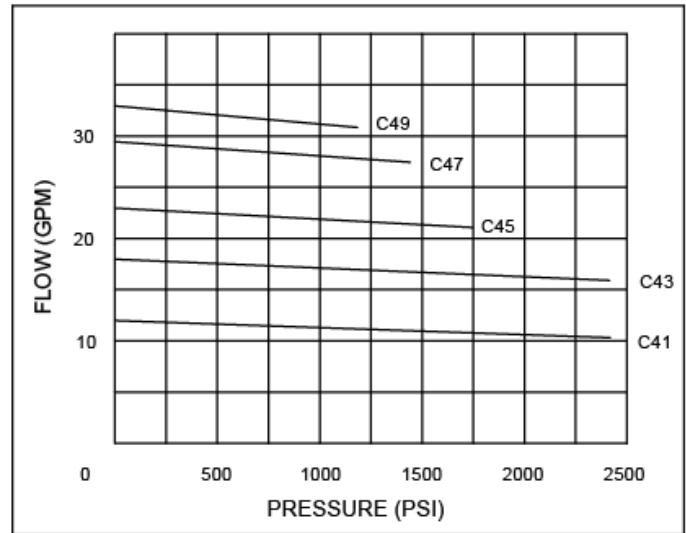
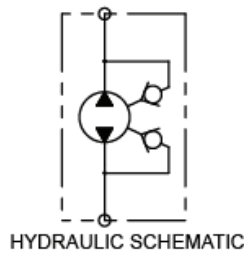
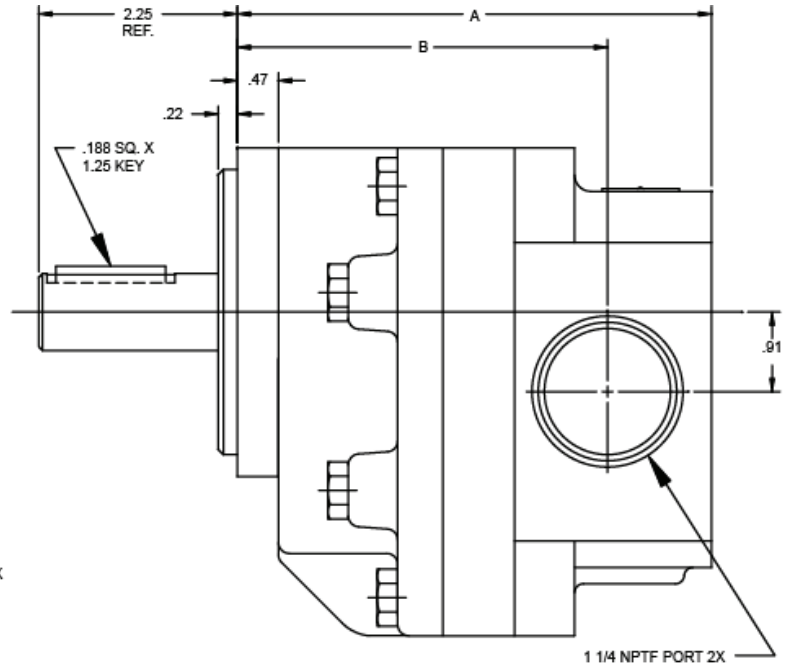
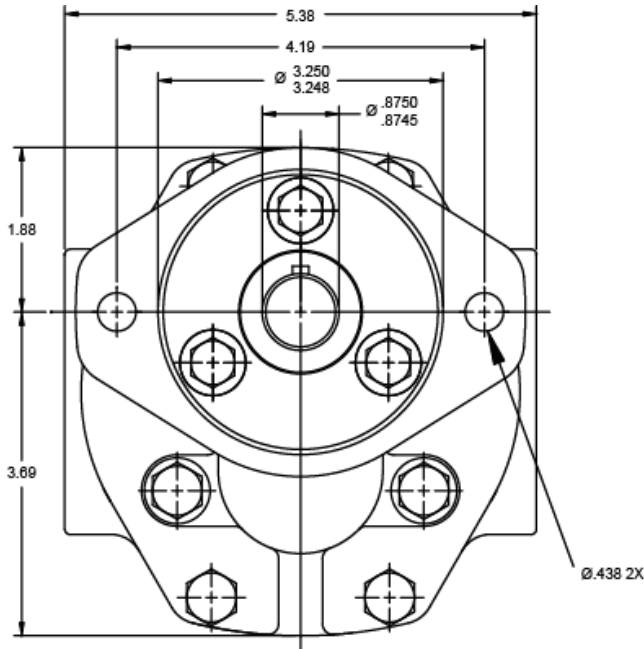


C41-C49 Pump, Bi-Directional



MODEL	GPM AT 1750 RPM	0 PSI DISP. GAL./REV.	DISP. CU. IN./REV.	SLIP GPM PER 100 PSI	MAX. PUMP PRESSURE INTERMITTENT DUTY	MAX. PUMP PRESSURE CONTINUOUS DUTY	SPEED MAX. RPM	A	B
C 41	11.90	0.0068	1.570	0.070	2400	1500	4000	5.41	4.22
C 43	17.80	0.0102	2.350	0.090	2400	1500	3000	5.72	4.59
C 45	23.10	0.0132	3.040	0.110	1750	1100	2300	6.06	4.94
C 47	29.50	0.0169	3.900	0.140	1450	900	1800	6.47	5.41
C 49	33.60	0.0192	4.430	0.180	1200	750	1800	6.72	5.59

WARNING: The specifications/application data shown in our catalogs and data sheets are intended only as a general guide for the product described (herein). Any specific application should not be undertaken without independent study, evaluation, and testing for suitability.

Phone: (815) 397-6628

Fax: (815) 397-2526

E-mail: [delta@delta-power.com](mailto:delta@delta-power.com)