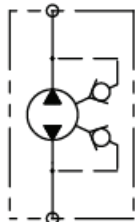
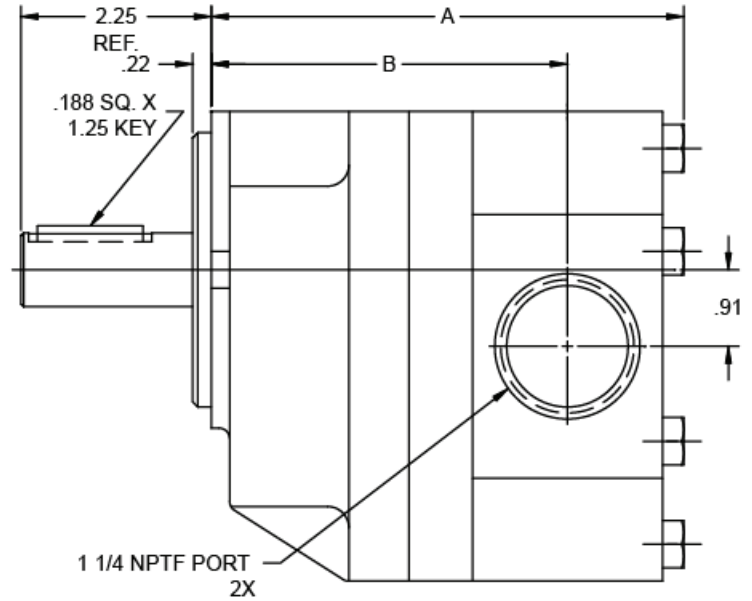
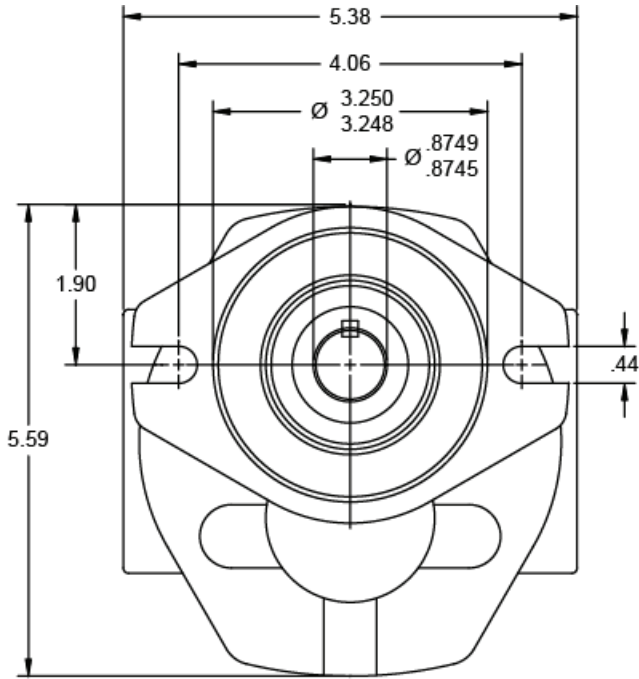
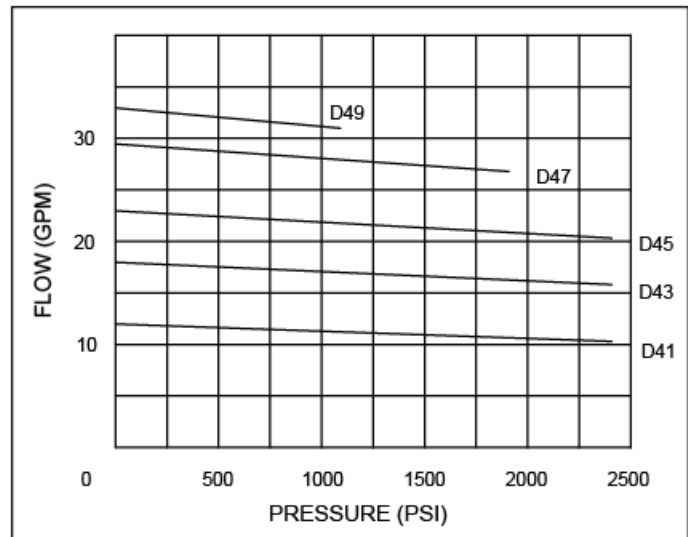


D41-D49 Pump, Bi-Directional



HYDRAULIC SCHEMATIC



MODEL	GPM AT 1750 RPM	0 PSI DISP. GAL./REV.	DISP. CU. IN./REV.	SLIP GPM PER 100 PSI	MAX. PUMP PRESSURE INTERMITTENT DUTY	MAX. PUMP PRESSURE CONTINUOUS DUTY	SPEED MAX. RPM	A	B
D41	11.90	0.0068	1.570	0.070	2400	1500	4000	5.34	4.22
D43	17.80	0.0102	2.350	0.090	2400	1500	3000	5.72	4.59
D45	23.10	0.0132	3.040	0.110	2400	1500	2300	6.06	4.94
D47	29.50	0.0169	3.900	0.140	1900	1200	1800	6.47	5.34
D49	33.60	0.0192	4.430	0.180	1100	700	1800	6.72	5.59

WARNING: The specifications/application data shown in our catalogs and data sheets are intended only as a general guide for the product described herein. Any specific application should not be undertaken without independent study, evaluation, and testing for suitability.

Phone: (815) 397-6628

Fax: (815) 397-2526

E-mail: delta@delta-power.com