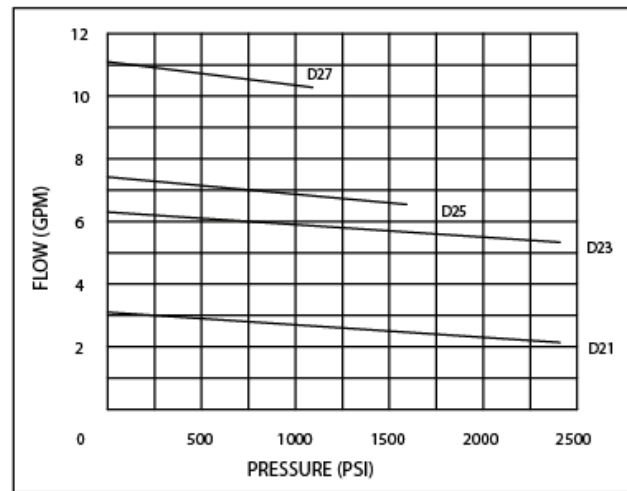
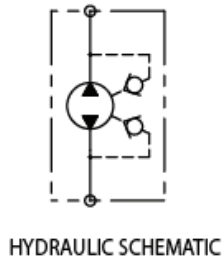
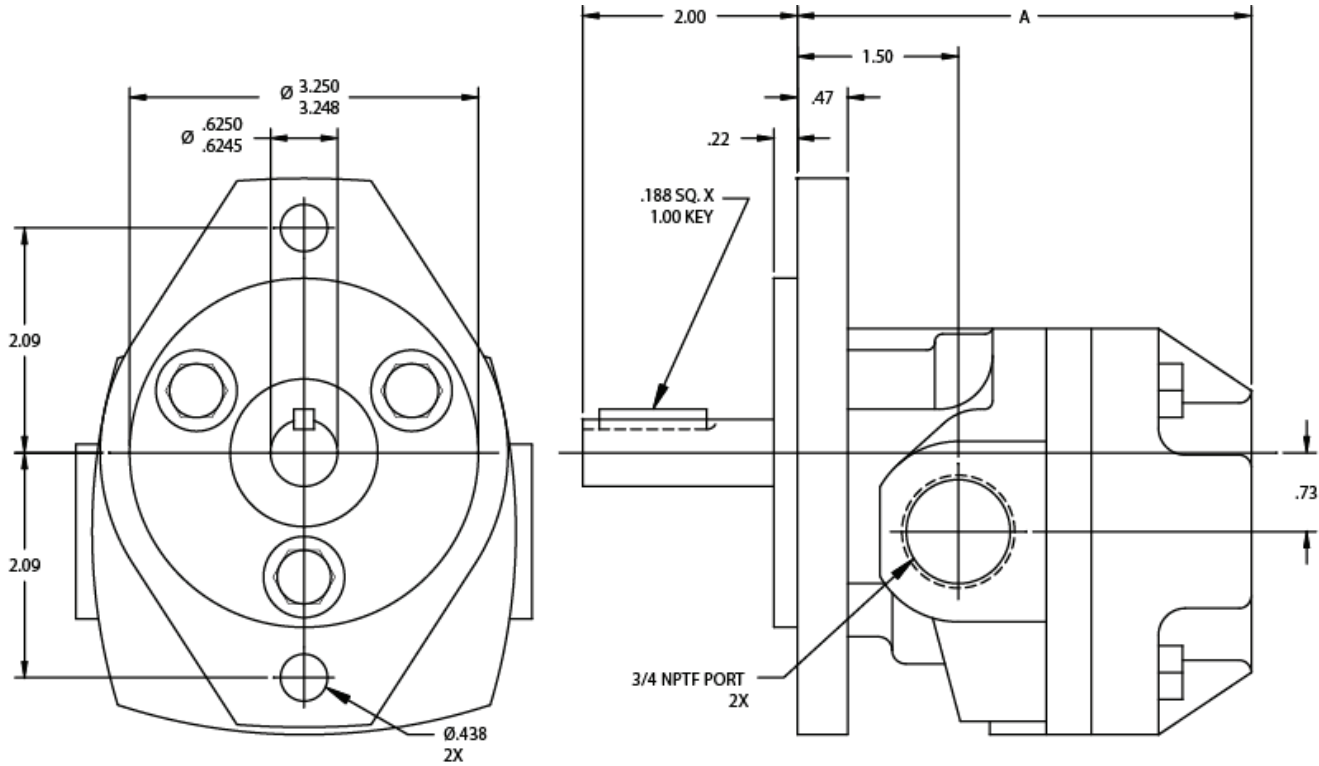


D21-D27 Pump, Bi-Directional



MODEL	GPM AT 1750 RPM	0 PSI DISP. GAL./REV.	DISP. CU. IN./REV.	SLIP GPM PER 100 PSI	MAX. PUMP PRESSURE INTERMITTENT DUTY	MAX. PUMP PRESSURE CONTINUOUS DUTY	SPEED MAX. RPM	A
D21	3.10	0.00178	0.411	0.040	2400	1500	5000	3.21
D23	5.30	0.00304	0.702	0.045	2400	1500	4000	3.56
D25	7.42	0.00425	0.981	0.055	1600	1000	3000	3.78
D27	11.10	0.00633	1.460	0.075	1100	700	1800	4.21

WARNING: The specifications/application data shown in our catalogs and data sheets are intended only as a general guide for the product described herein. Any specific application should not be undertaken without independent study, evaluation, and testing for suitability.

Phone: (815) 397-6628

Fax: (815) 397-2526

E-mail: delta@delta-power.com