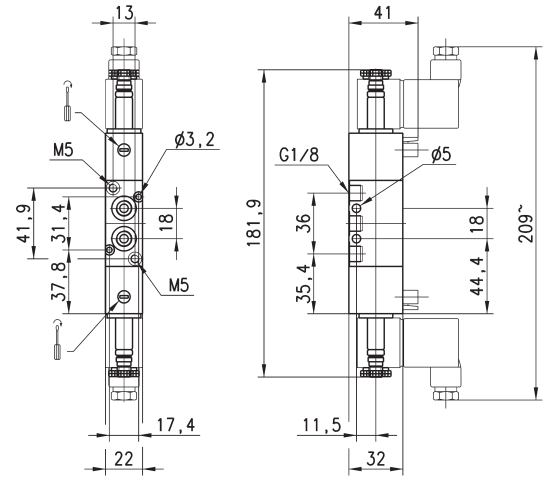


## 5/2-way solenoid valve, G1/8, bistable - Mod. 358...

These solenoid valves, which have electropneumatic actuation and spring return, are suitable for operating double-acting cylinders.



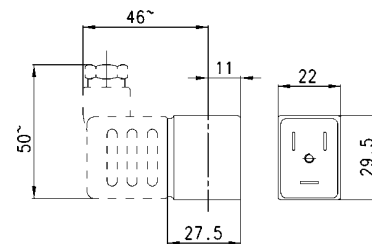
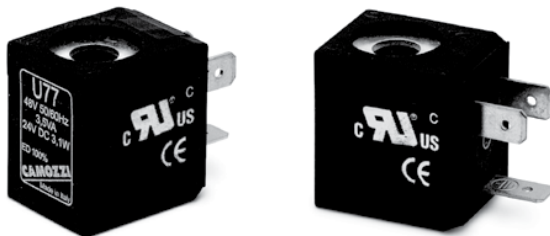
| Mod.       | Function | Flow rate (NI/min) | Operating pressure (bar) | Pilot pressure (bar) | Symbol |
|------------|----------|--------------------|--------------------------|----------------------|--------|
| 358-011-02 | 5/2      | 700                | 1,5 ÷ 10                 | -                    | EV23   |

## Solenoids for Mod. U70/ / U7\*EX / G70 (EN 175301-803 Form B Industrial)

The U7\* series of solenoid coils complies with both standards UL and CSA, and the marking we will apply on the solenoids is cURus (standards UL 429 and CSA 22.2 n. 139).

The U7\* coil series is also available in an ATEX explosion rated version. Mod. U7\*EX is marked II 3 GD Eex nA T4.

NOTE: to order the ATEX version of the U7\* coil it is necessary to add the EX suffix at the end of the code.



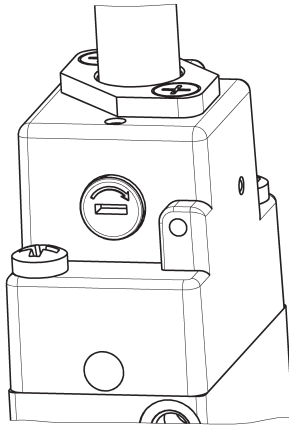
## Solenoid Voltages U70 (UL and CSA approved)

|                       |  |
|-----------------------|--|
| Nominal dimensions:   | 22x22  |
| Protection class:     | IP54 - DIN 40050<br>IP65 (with connector Mod. 122-800) |
| Insulation:           | Class H (180°C)  |
| Connections:          | Bipolar plus earth DIN 43650 (version B)               |
| Voltage tolerance:    | AC +10% - 15%<br>DC ±10%                               |
| Continuous operation: | ED 100%  |
| Protection:           | U70 PET<br>G70 Nylon                                   |

| Mod. |      |             |       | Mod. |     |          |       |
|------|------|-------------|-------|------|-----|----------|-------|
| U7H  | 24V  | 50/60 Hz    | 3,5VA | U77  | 24V | DC       | 3,1W  |
|      | 12V  | DC          | 3,1W  |      | 48V | 50/60 Hz | 3,5VA |
| U7K  | 110V | AC 50/60 Hz | 4,3VA |      |     |          |       |
|      | 125V | AC 50/60 Hz | 5,5VA |      |     |          |       |

Dimensions in millimeters (mm)

## MANUAL OVERRIDE



Example of solenoid valve with a bistable standard manual override.

## GENERAL DATA

|                              |   |
|------------------------------|---|
| <b>Construction</b>          | spool - type  |
| <b>Valve group</b>           | 2x3/2 - 3/2 - 5/2 - 5/3-way CC CO CP  |
| <b>Materials</b>             | AL body, stainless steel spool, NBR seals   |
| <b>Ports</b>                 | G1/8 - G1/4   |
| <b>Installation</b>          | in any position   |
| <b>Operating temperature</b> | 0 ÷ 60°C (with dry air at -20°C)  |
| <b>Operating pressure</b>    | see tables  |
| <b>Fluid</b>                 | filtered air, without lubrication. If lubricated air is used, it is recommended to use ISOVG32 oil. Once applied the lubrication should never be interrupted. |

## CODING EXAMPLE

|          |          |          |          |          |            |          |           |          |           |          |
|----------|----------|----------|----------|----------|------------|----------|-----------|----------|-----------|----------|
| <b>3</b> | <b>3</b> | <b>8</b> | <b>D</b> | <b>-</b> | <b>015</b> | <b>-</b> | <b>02</b> | <b>-</b> | <b>U7</b> | <b>7</b> |
|----------|----------|----------|----------|----------|------------|----------|-----------|----------|-----------|----------|

|            |   |
|------------|---|
| <b>3</b>   | SERIES  |
| <b>3</b>   | NUMBER OF WAYS - POSITIONS:<br>3 = 3/2 NC<br>4 = 3/2 NO<br>5 = 5/2<br>6 = 5/3 CC<br>7 = 5/3 CO<br>8 = 5/3 CP<br>9 = 1x3/2 NC + 1x3/2 NO   |
| <b>8</b>   | PORTS:<br>8 = G1/8<br>4 = G1/4  |
| <b>D</b>   | VERSION:<br>= standard<br>D = double valve 2x3/2<br>L = for manifold assembly (only for solenoid valves 3/2 with G1/8 ports)  |
| <b>015</b> | ACTUATION:<br>011 = double solenoid<br>015 = single solenoid, spring return<br>016 = single solenoid, pneumatic spring return<br>E11 = double solenoid external servo-command<br>E15 = single solenoid, external servo-command<br>033 = pneumatic pneumatic<br>035 = pneumatic spring |
| <b>22</b>  | SOLENOID INTERFACE:<br>02 = mech. sol. 22 x 22  |
| <b>U7</b>  | ENCAPSULATING MATERIAL / SOLENOID DIMENSIONS:<br>A8 = PPS / 30 x 30<br>G7 = PA / 22 x 22<br>G8 = PA / 30 x 30 (24 V DC only)<br>G9 = PA / 22 x 58<br>H8 = PA 6 V0 / 30 x 30<br>U7 = PET / 22 x 22   |
| <b>7</b>   | SOLENOID VOLTAGE:<br>see the solenoids section from page 2.2.35.01  |
|            | TYPE OF MANUAL OVERRIDE:<br>= bistable, standard<br>IL = bistable, lever type (available on demand)<br>IM = monostable (available on demand)  |