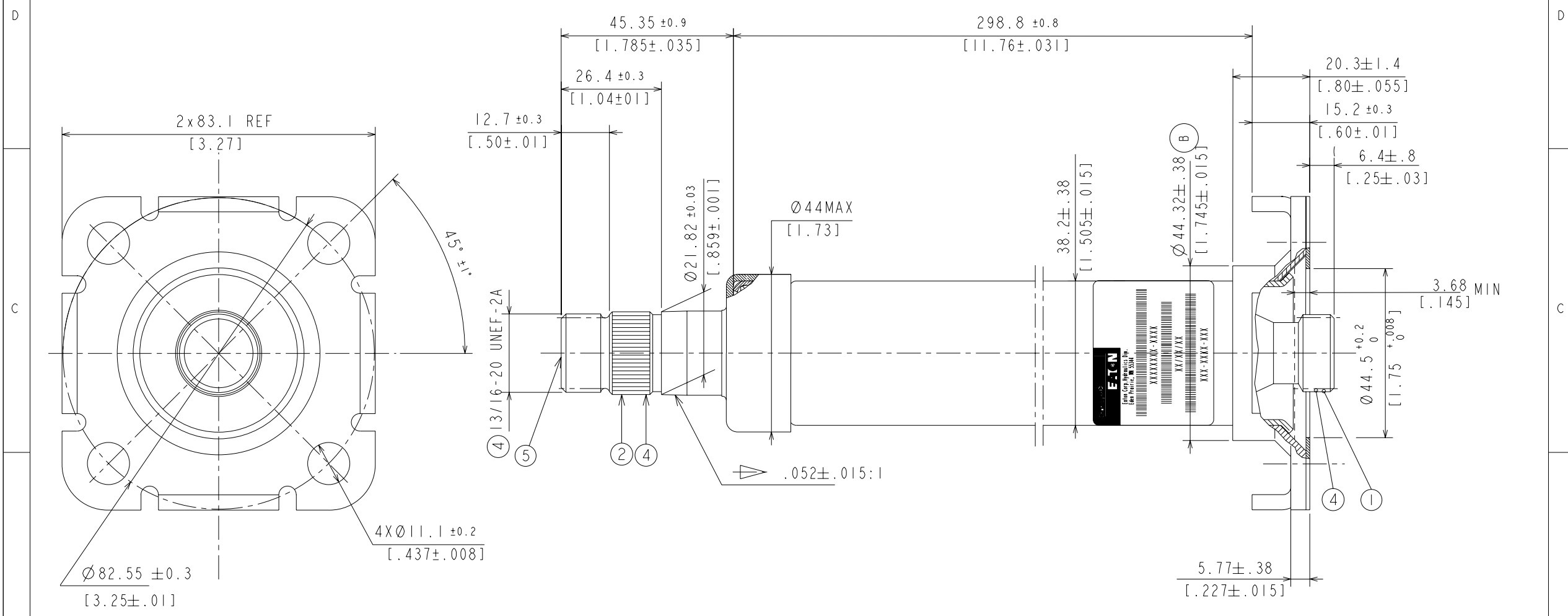


REV	DESCRIPTION	BY	CHK	DATE	ECN / MPS
A	ENGINEERING RELEASE	AH	SC	8/22/02	M27634
B	DIM $\varnothing 44.0 \pm 0.3$ [1.73] WAS $\varnothing 46.0 \pm 0.5$ [1.81]	PSC	JGS	10/2/03	45045
C	-1) (1D) DIM $18.9 \pm 1.4$ [0.745 $\pm$ 0.055] WAS $20.3 \pm 1.4$ [0.80 $\pm$ 0.055] -2) (4B) DIM $\varnothing 82.55 \pm 0.3$ [3.25 $\pm$ 0.010] WAS $\varnothing 82 \pm 0.2$ [3.23 $\pm$ 0.008] -3) (2B) DIM $.052 \pm 0.015$ :1 WAS $.052$ :1	SSK	JGS	01/28/04	46721
D	REFER ECN	RSI	SSK	01/18/05	50385



NOTE:

- ①  $\varnothing 20.4$  [0.800] FLAT ROOT-SIDE FIT 12 TOOTH 16/32 PITCH.
- ② 36 TOOTH STRAIGHT SERRATION  $\varnothing 21.79 \pm 0.05$  [0.858  $\pm$  0.002] MAJOR,  $\varnothing 20.73 \pm 0.05$  [0.816  $\pm$  0.002] ROOT,  $90^\circ \pm 1^\circ$  INCL. ROOT ANGLE,  $\varnothing 24.100 \pm 0.05$  [0.9488  $\pm$  0.0020] OVER, TWO  $\varnothing 1.588$  [0.0625] PINS.
- 3) RATED BENDING MOMENT CALCULATED ABOUT THE PLANE OF THE COLUMN MOUNTING SURFACE. OR ABOUT CENTER LINE OF UPPER COLUMN SUPPORT IS 136 Nm [100 lbf·ft] LEVER ARM FOR THIS CALCULATION SHALL BE THE DISTANCE FROM POINT INDICATED TO CENTER LINE OF RADIAL LOAD. COLUMNS LONGER THAN 161.8 [6.37], REQUIRE UPPER COLUMN SUPPORT IF A RADIAL LOAD AT STEERING WHEEL RIM IS EXPECTED TO EXCEED 900N [203 lbf].
- ④ DIMENSIONS INDICATED APPLY PRIOR PHOSPHATE COATING.
- ⑤ RATED STEERING SHAFT TORQUE IS 81 Nm [60 lbf·ft].
- 6) RECOMMENDED STEERING WHEEL NUT TORQUE IS  $47.5 \pm 6.5$  N·m [35  $\pm$  5 lbf·ft].
- 7) COLUMN DESIGN CONFORMS TO EDS-036.

M  
DISTRIBUTION CODE(S)

UNLESS OTHERWISE SPECIFIED ALL DIMENSIONS ARE IN INCHES <input type="checkbox"/> MILLIMETERS (INCHES) <input checked="" type="checkbox"/>		DRAWING BASED ON ANSI Y14.5M-1982	
TOLERANCES .X ± ---- .XX ± ---- .XXX ± ---- ∠ ± ----		NOTICE TO PERSONS RECEIVING THIS DRAWING AND / OR TECHNICAL INFORMATION Eaton Corporation claims proprietary rights in the information disclosed hereon. This document is issued in confidence and is not to be reproduced or used to manufacture anything shown hereon without the written permission of the Eaton Corporation.	
UNSPECIFIED RADII ARE: -----		DRAWN AH BY/DATE 8/22/02	MATERIAL/HEAT TREAT
UNSPECIFIED DRAFT ANGLES ARE: -----		CHECKED SC BY/DATE 8/22/02	Eaton Hydraulics, Inc. 14615 Lone Oak Road Eden Prairie, Mn. 55344
THIRD ANGLE PROJECTION DO NOT SCALE		ENGRG SC BY/DATE 8/22/02	TITLE STEERING COLUMN
MICROINCHES (MICROMETERS) <input type="checkbox"/> ARITHMETICAL AVERAGE <input checked="" type="checkbox"/>		NUMBER 204-1034-007	
		SCALE 1/1	SHEET 1 OF 1