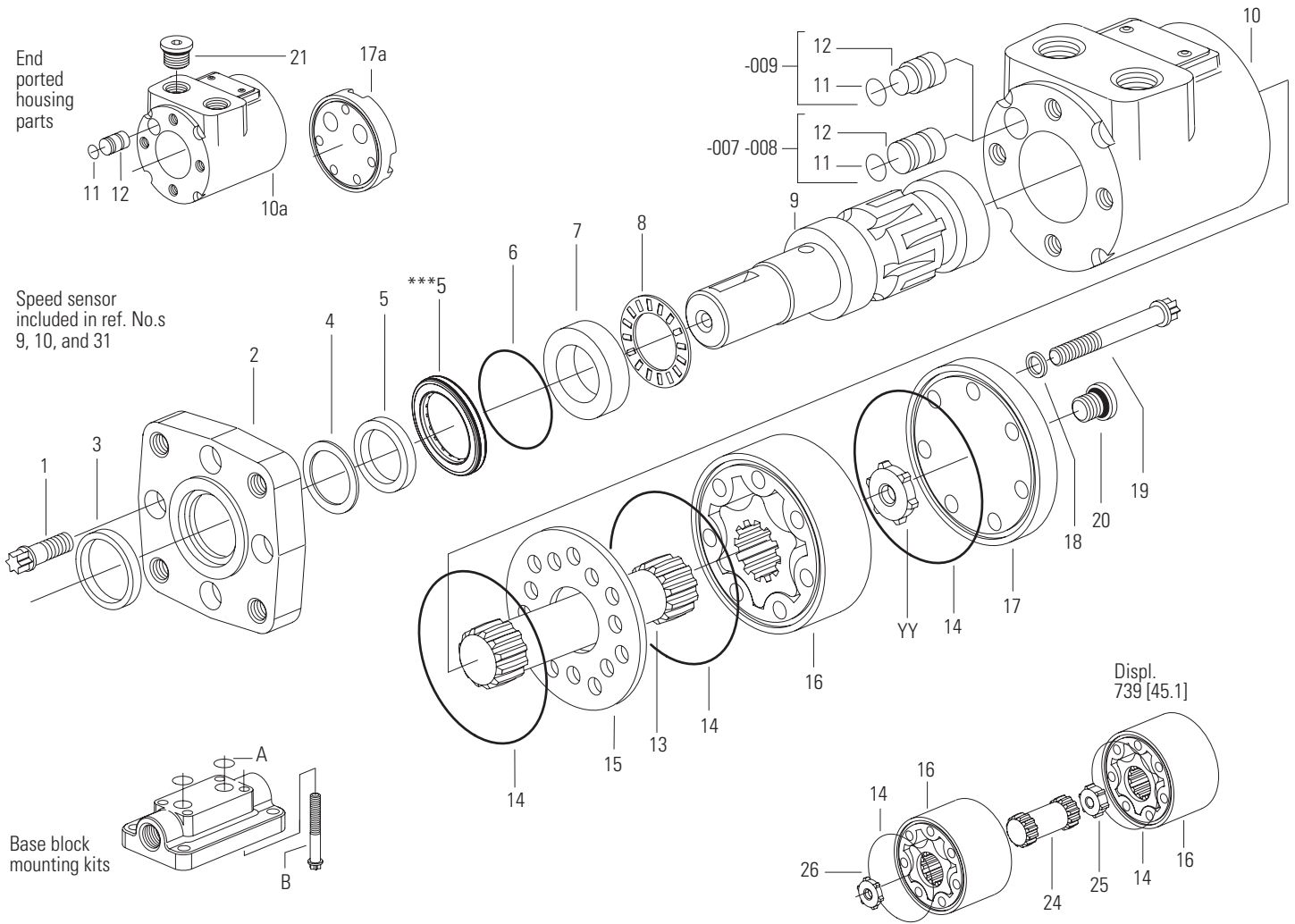


Table of contents

Description	Page no.
Parts	3-4
Parts list	4-5
How to order replacement parts	6
Tools required	7
Reassembly	8
Disassembly	9
Reassembly	10-13
Common product numbers	14

Parts



-007 Design code

Displacement cm ³ /r [in ³ /r]	Ref no. 13		Ref no. 16		Ref no. YY		Ref no. 19	
	Drive	Length mm [in]	Geroler®	Width mm [in]	Spacer	Length mm [in]	Screw cap	Length mm [in]
49 [3.0]	602-000	76,2 [3.00]	8277-001	6,4 [.25]	N/A		16294-150	38,1 [1.50]
74 [4.5]	602-000	76,2 [3.00]	8277-002	9,7 [.38]	N/A		16294-162	41,4 [1.62]
102 [6.2]	616-000	81,8 [3.22]	8277-003	13,2 [.52]	N/A		16294-175	44,5 [1.75]
169 [10.3]	616-000	81,8 [3.22]	8277-004	21,8 [.86]	6901-002	7,9 [.31]	16294-212	54,1 [2.12]
195 [11.9]	616-000	81,8 [3.22]	8277-005	25,4 [1.00]	6901-003	12,2 [.48]	16294-225	57,1 [2.25]
244 [14.9]	616-000	81,8 [3.22]	8277-006	31,7 [1.25]	6901-005	18,5 [.73]	16294-250	63,5 [2.50]
277 [16.9]	616-000	81,8 [3.22]	8277-007	38,1 [1.50]	6901-006	24,9 [.98]	16294-275	69,8 [2.75]
390 [23.8]	616-000	81,8 [3.22]	8277-008	50,8 [2.00]	6901-008	37,6 [1.48]	16294-325	82,6 [3.25]

Parts

-008 Design code

Displacement cm ³ /r [in ³ /r]	Ref no. 13		Ref no. 16		Ref no. YY		Ref no. 19	
	Drive	Length mm [in]	Geroler®	Width mm [in]	Spacer	Length mm [in]	Screw cap	Length mm [in]
49 [3.0]	602-000	76,2 [3.00]	8277-001	6,4 [.25]	N/A		16294-150	38,1 [1.50]
74 [4.5]	602-000	76,2 [3.00]	8277-002	9,7 [.38]	N/A		16294-162	41,4 [1.62]
102 [6.2]	616-000	81,8 [3.22]	8277-003	13,2 [.52]	N/A		16294-175	44,5 [1.75]
169 [10.3]	8664-000	91,7 [3.61]	8277-004	21,8 [.86]	N/A		16294-212	54,1 [2.12]
195 [11.9]	8664-000	91,7 [3.61]	8277-005	25,4 [1.00]	6901-009	3,4 [.14]	16294-225	57,1 [2.25]
244 [14.9]	8664-000	91,7 [3.61]	8277-006	31,7 [1.25]	6901-002	7,9 [.31]	16294-250	63,5 [2.50]
277 [16.9]	8634-000	107,4 [4.24]	8277-007	38,1 [1.50]	N/A		16294-275	69,8 [2.75]
390 [23.8]	8634-000	107,4 [4.24]	8277-008	50,8 [2.00]	6901-004	14,0 [.55]	16294-325	82,6 [3.25]

-009 Design code

Displacement cm ³ /r [in ³ /r]	Ref no. 13		Ref no. 16		Ref no. YY		Ref no. 19	
	Drive	Length mm [in]	Geroler®	Width mm [in]	Spacer	Length mm [in]	Screw cap	Length mm [in]
37 [2.2]	602-000	76,2 [3.00]	21850-022	6,4 [.25]	N/A		16294-150	38,1 [1.50]
46 [2.8]	602-000	76,2 [3.00]	8277-001	6,4 [.25]	N/A		16294-150	38,1 [1.50]
59 [3.6]	22250-000	80,0 [3.15]	21850-023	10,2 [.40]	N/A		16294-162	41,1 [1.62]
74 [4.5]	616-000	80,0 [3.15]	8277-024	10,2 [.40]	N/A		16294-162	41,1 [1.62]
96 [5.9]	22251-000	81,8 [3.22]	8277-003	13,2 [.52]	N/A	3,4 [.14]	16294-175	44,5 [1.75]
120 [7.3]	22252-000	86,4 [3.40]	8277-009	16,5 [.65]	N/A	7,9 [.31]	16294-188	47,8 [1.88]
146 [8.9]	8664-000	89,9 [3.54]	8277-020	20,1 [.79]	N/A		16294-200	50,8 [2.00]
159 [9.7]	22189-000	91,7 [3.61]	8277-004	21,8 [.86]	N/A	14,0 [.55]	16294-212	53,8 [2.12]
185 [11.3]	22250-000	95,8 [3.77]	8277-005	25,4 [1.00]	N/A		16294-225	57,1 [2.25]
231 [14.1]	22190-000	102,1 [4.02]	8277-025	31,7 [1.25]	N/A	3,4 [.14]	16294-250	63,5 [2.50]
293 [17.9]	22253-000	110,5 [4.35]	8277-026	40,4 [1.59]	N/A	7,9 [.31]	16294-288	73,2 [2.88]
370 [22.6]	22191-000	121,2 [4.77]	8277-027	50,8 [2.00]	N/A		16294-325	82,6 [3.25]
739 [45.1]	8634-000	107,4 [4.23]	21850-028 (2)	50,8 [2.00] (ea.)	See ref. 25, 26	14,0 [.55]	16294-552	133,3 [5.25]

Parts list

Ref. no.	Design code / part number			Description	Quantity	
	-007	008	009			
1	16292-088	16292-088	16292-088	Screw, cap (6 point (E10) drive 5/16-24 UNF x 7/8)	4	
2	7463-000	22000-001	22000-001	Flange mounting (2 Bolt)	1	
	7464-000	22000-002	22000-002	Flange mounting (4 Bolt) 3/8-16 UNC	1	
	—	22000-006	22000-006	Flange mounting (4 Bolt) M10 x 1,5	1	
	—	22000-004	22000-004	Flange mounting (2 Bolt SAE B)	1	
	—	22000-005	22000-005	Flange mounting (4 Bolt magneto)	1	
X 3	9121-002	9121-002	9121-002	Seal, exclusion	1	
X 4	N/A	22002-000	22002-000	Washer, backup	1	
X 5	***5	9057-001	9057-014	9057-014	Seal, pressure	1
				6029894-002	Seal, pressure (medium pressure)	1
				5995483-001	Seal, pressure (HP)	1
X 6	9091-001	9091-001	9091-001	Seal	1	
7	7462-000	7462-000	7462-000	Race, thrust bearing	1	
8	7537-000	7537-000	7537-000	Bearing, thrust needle	1	

Parts list

Ref. no.	Design code / part number			Description	Quantity
	-007	008	009		
9	7360-001	7360-001	7360-001	Shaft, output (1 in. dia. straight with woodruff key slot)	1
			220879-001	Shaft, output (1 in. dia. straight with woodruff key slot — sensor shaft)	1
	7360-002	7360-002	7360-002	Shaft, output (sae 6b splined)	1
	7360-007	7360-007	7360-007	Shaft, output (1 in. Dia. straight with .316 dia. crosshole)	1
	7360-008	7360-008	7360-008	Shaft, output (1 in. Dia. straight with .406 dia. crosshole)	1
	7360-024	7360-024	7360-024	Shaft, output (25 mm dia. straight)	1
	7360-016	7360-016	7360-016	Shaft, output (7/8 in. dia. SAE B 13 T splined)	1
	7360-017	7360-017	7360-017	Shaft, output (7/8 in. dia. straight SAE B straight)	1
	7360-018	7360-018	7360-018	Shaft, output (1 in. dia. tapered)	1
	14193-000	14193-000	14193-000	Key, Square (1 in. dia. straight shaft)	1
	14193-000	14193-000	14193-000	Key, woodruff (for tapered shaft)	1
	14391-004	14391-004	14391-004	Key, straight (for 7/8 in. dia. shaft)	1
	14462-006	14462-006	14462-006	Key, straight (for 25 mm dia. shaft)	1
	14381-000	14381-000	14381-000	Nut (for tapered shaft)	1
10	7359-001	7359-001	22230-001	Housing, 7/8-14 O-ring ports	1
			201225-001	Housing, 7/8-14 O-ring ports — sensor housing	1
	7359-002	7359-002	22230-002	Housing, 1/2 NPTF ports	1
			201225-002	Housing, 1/2 NPTF ports — sensor housing	1
	7359-003	7359-003	22230-003	Housing, manifold ports (5/16-18 UNC)	1
	7359-006	7359-006	22230-006	Housing, G 1/2 (BSP) ports	1
	7359-004	7359-004	22230-004	Housing, manifold ports (M8 x 1.25)	1
	10a	21388-000	21388-000	22294-001	Housing, end ported motor
X 11	15007-000	15007-000	250001-011	O-ring	1
12	8985-000	8985-000	22229-000	Plug	1
13	*	*	*	Drive	1
X 14	9086-002	9086-002	5996786-001	Seal	1
15	7358-000	7358-000	7358-000	Plate, spacer	1
16	*	*	*	Gerotor (displ. 739 [45.1] — qty. 2)	1
17	7461-000	7461-000	6032761-001	Cap, end [without port(s)]	1
	7611-000	7611-000	6032761-002	Cap, End (with 7/16-20 O-ring drain port)	1
	21779-000	21779-000	6032761-005	Cap, End (with G 1/4 (BSP) drain port)	1
	17a	21387-001	21387-001	21387-001	Cap, End [with 3/4-16 O-ring ports (2)]
21387-002		21387-002	21387-002	Cap, End [with 3/4-16 O-ring ports (2) and 7/16-20 O-ring drain port]	1
21387-003		21387-003	21387-003	Cap, End (with G 1/2 (BSP) ports (2) and G 1/4 (BSP) drain port)	1
X 18	14488-000**	14488-000**	14488-000**	Seal, washer	7
19	*	*	*	Screw, cap (6 point (E10) drive 5/16-24 UNF) (end ported— qty. 5)	7
20	9072-003	9072-003	9072-003	Plug/ O-ring (7/16-20 drain port)	1
	X 250003-904	250003-904	250003-904	O-ring for 7/16-20 drain port plug	1
	9170-002	9170-002	9170-002	Plug/O-ring (G 1/4 (BSP) drain port)	1
	—	—	—	O-ring for G 1/4 (BSP) drain port plug	1
21	9072-007	9072-007	9072-007	Plug/ O-ring, housing (7/8-14 pug S/A used w/end ported motors)	2
	X 250003-910	250003-910	250003-910	O-ring for 7/8-14 housing port plug	2
	9179-007	9179-007	9179-007	Plug/ O-ring (Viton), housing (7/8-14 plug S/A used w/end ported motors)	2
	250017-910	250017-910	250017-910	O-ring (Viton) for 7/8-14 housing port plug	2
24	—	—	45-000	Drive (displ. 739 [45.1] only)	1
25	—	—	6901-002	Spacer (displ. 739 [45.1] only)	1
26	—	—	6901-009	Spacer (displ. 739 [45.1] only)	1
YY	*	*	N/A	Spacer	1
31			201137-001	Sensor, speed (127mm [5.0 in.] Lead Wire)	1
50			5996787-001	Seal (displ. 739 [45.1] — qty. 3)	2
Seal kit	60023-000	60540-000	60540-000	Seal kit (Buna N) — contains parts indicated by X	
	60032-000	60545-000	60545-000	Seal kit (Viton) — contains parts indicated by X (Part no.s differ from those shown)	
Mounting kit	123-1007	123-1007	123-1007	Base block mounting kit [1/2 NPTF ports (manifold mount motors only)]	
	123-1008	123-1008	123-1008	Base block mounting kit [7/8-14 O-ring ports (manifold mount motors only)]	
X A	15058-000	15058-000	15058-000	Seal, O-ring (2)	
B	267512-019	267512-019	267512-019	Screw, cap [5/16-18 thread (4)]	
	—	—	14474-003	Screw, cap [M8 x 1.5] thread (4)]	

*See chart on page 3 and 4. **Used with 12 point cap screws only (replacement screws are 6 point (E10) drive, no seal washer required).

***Washer, backup 22002-000 not needed with seal, pressure (medium pressure) 6029894-002 or seal, pressure (HP) 5995483-001.

How to order replacement parts

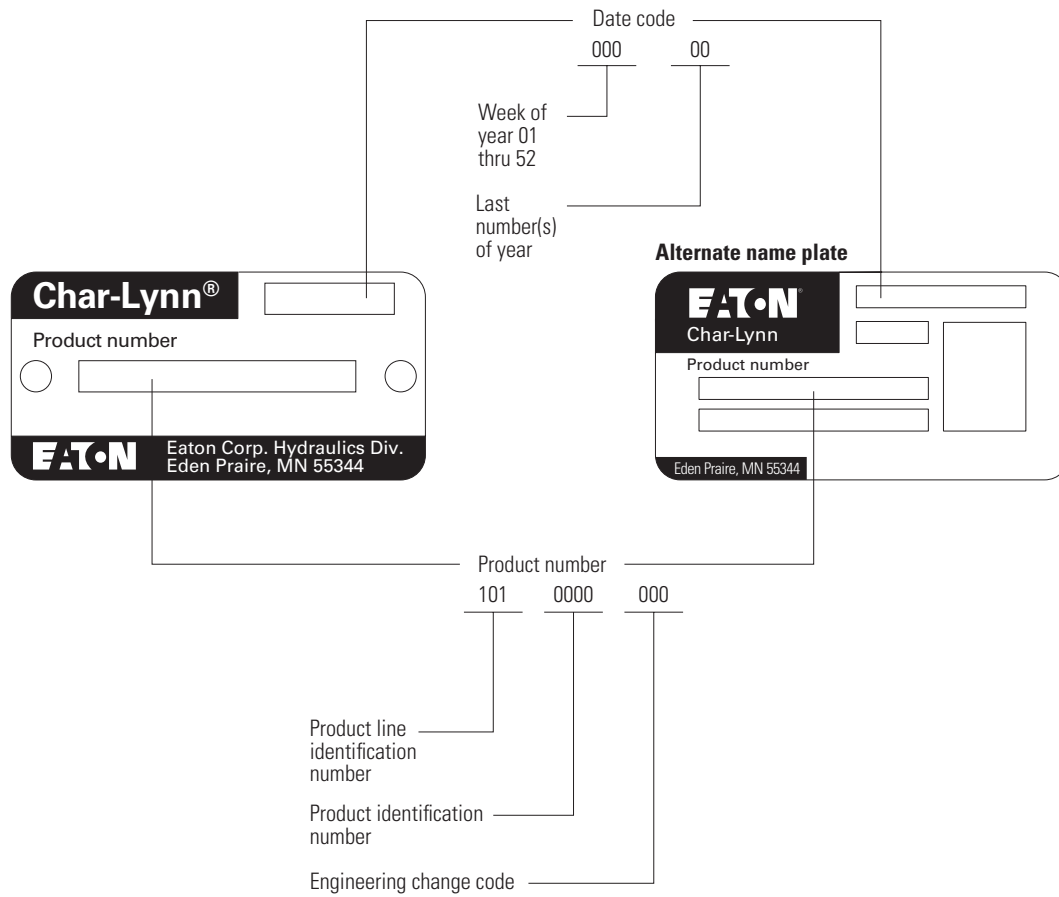
Each order must include the following:

1. Product number
2. Date code
3. Part name
4. Part number
5. Quantity of parts

For more detailed information, please contact

Eaton Corp. Hydraulics Division
15151 Highway 5
Eden Prairie, MN 5534

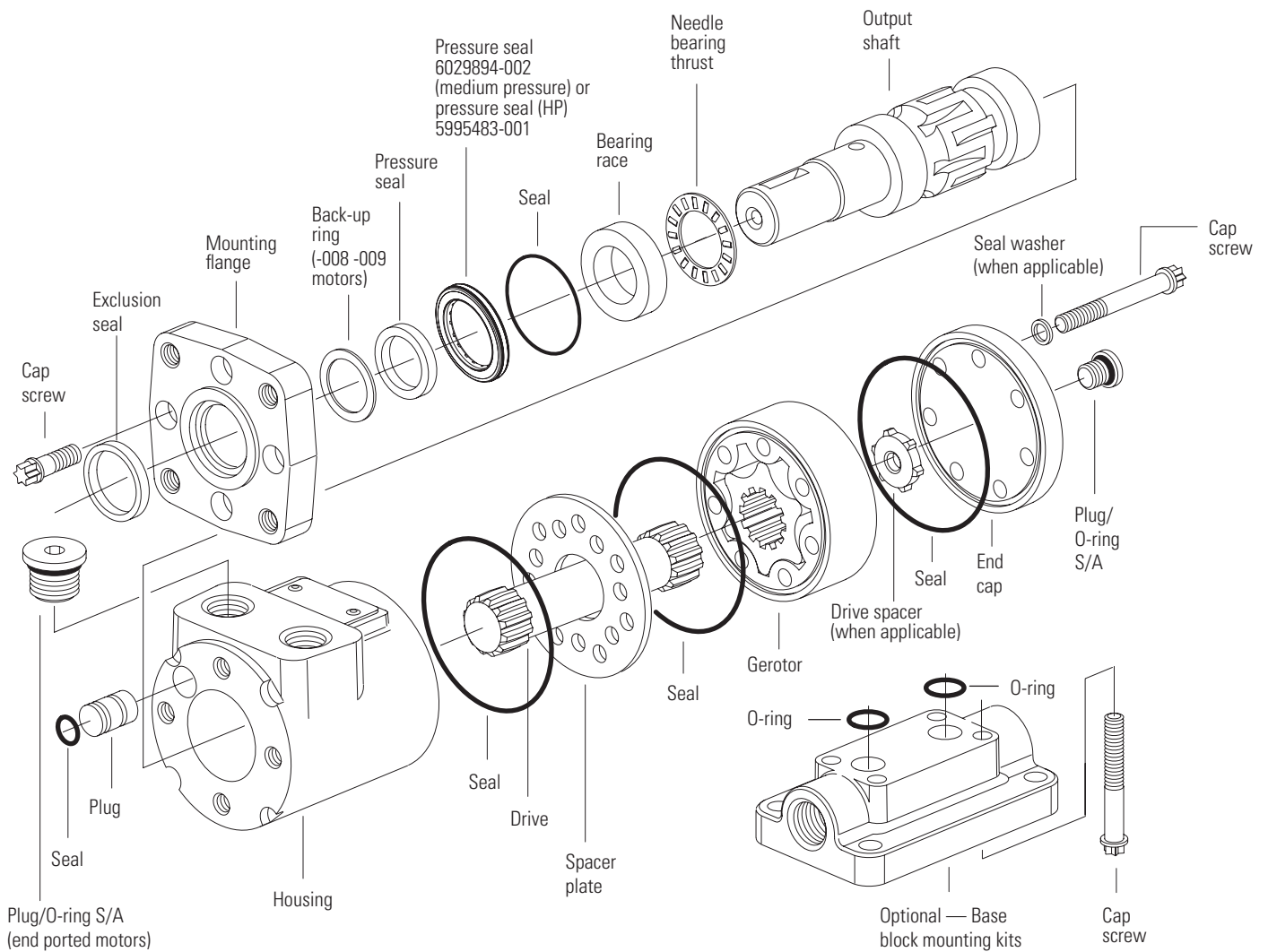
- Specifications and performance data, Catalog No. 11-885
- When servicing H Series Motors refer to Repair Information No. 7-117. This repair manual lists tools required, and step by step disassembly and reassembly procedures.



Tools required

Tools required for both disassembly and reassembly

- Torque wrench (34Nm [300 lb-in] capacity)
- 300-400mm [12-16 in.] breaker bar
- 5/16 in.-12 point socket no. 5422 (Heavy Duty 56Nm [500 lb-in] capacity)
- E10 Torx socket
- Small screwdriver (150-200 x 6mm [6-8 x 1/4 in.] flat blade), see page 9 for tooling information.
- 5mm [3/16 in.] hex key
- Shaft pressure seal installation tool for 007, 008 and 009 motors
- Seal sleeve or bullet (1 in. dia. shaft, 7/8 in. dia. shaft)



Reassembly

Instructions in this manual are for H Series motors (101-XXXX-008 and 009).

Cleanliness is extremely important when repairing these motors. in a clean area. Before disconnecting lines, clean port area. Remove key when used. Check shaft and key slot. Remove nicks and sharp edges. Before disassembly, drain oil from Then plug ports and thoroughly clean exterior of motor.

Although not all drawings show the motor in a vise, we recommend that you keep the motor in a vise during disassembly. Follow clamping procedures explained throughout the manual.

Gerotor End

1. Place motor in vise and clamp across edge of flange with output shaft down. When clamping, use protective device on vise such as special soft jaws, pieces of hard rubber or board (see Figure 1).
2. Remove cap screws and seal washers (when applicable – see Figure 2).
3. Remove end cap.
4. Remove seal from end cap.
5. Remove gerotor.
6. Remove seal from gerotor (see Figure 3).
7. Remove drive spacer if applicable.
8. Remove drive (see Figure 4).
9. Remove spacer plate.
10. Remove seal from housing.

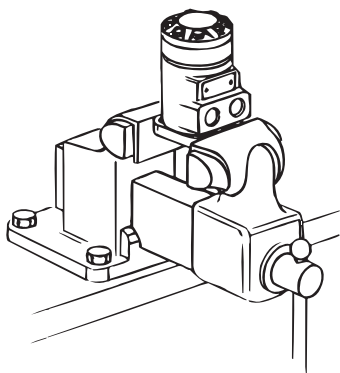


Figure 1

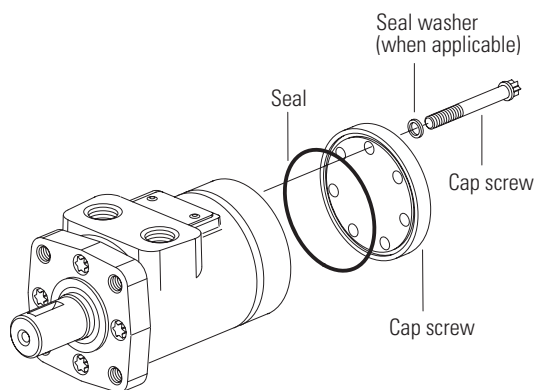


Figure 2

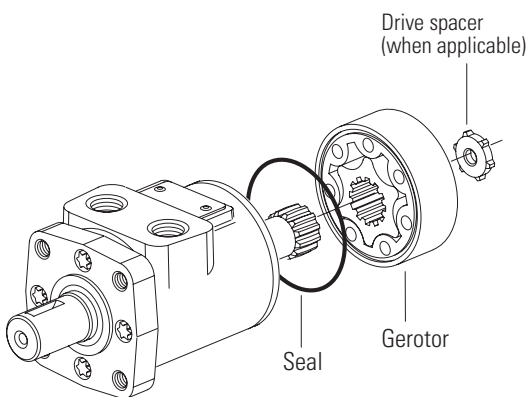


Figure 3

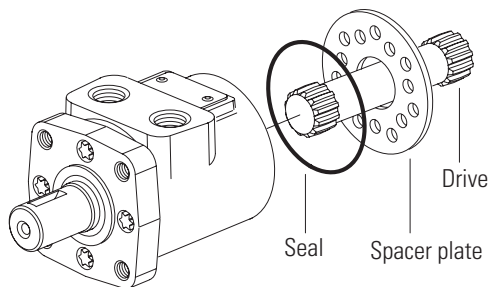


Figure 4

Disassembly

11. Remove output shaft from housing.
12. Remove needle thrust bearing from shaft or housing.
13. Reposition motor in vise. Clamp across ports as shown in Figure 5. Do not clamp on side of housing. Excessive clamping pressure on side of housing causes distortion.
14. Remove cap screws from mounting flange. These screws are assembled with Loctite to hold them in place. The screws will require 35-45 Nm [300-400 lb-in] of torque to break loose and 11 Nm [100 lb-in] torque to remove. Do not use impact wrench on screws that have been secured with Loctite. This could result in rounded heads or broken sockets.

Note: If torque higher than given above is required to break screws loose, apply heat according to following instructions: When heated, Loctite partially melts. This reduces torque required to remove screw. Use small flame propane torch to heat small area of housing where screw enters (see Figure 6). Be careful not to overheat housing and damage motor. Gradually apply torque to screw with socket wrench as heat is applied for 8 to 10 seconds. As soon as screw breaks loose, remove heat from housing. Continue turning screw until it is completely removed.

15. Carefully remove flange from housing.

Important

Some motors may have a quad seal and back-up ring in place of the pressure seal. The quad seal and back-up ring are no longer available and are replaced by the pressure seal. They are interchangeable, but some precautions must be taken to insure proper installation. Follow the reassembly instructions.

16. Exclusion seal, back-up ring, pressure seal and seal will come off with flange (see Figure 7). Use seal removal tool (shown in Figures 8 and 9) to remove exclusion and pressure seals.

Important

Be careful not to scratch seal cavity O.D. This could create a leak path.

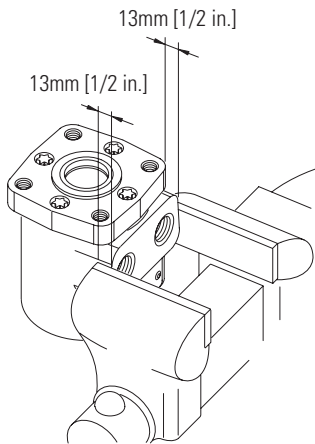


Figure 5

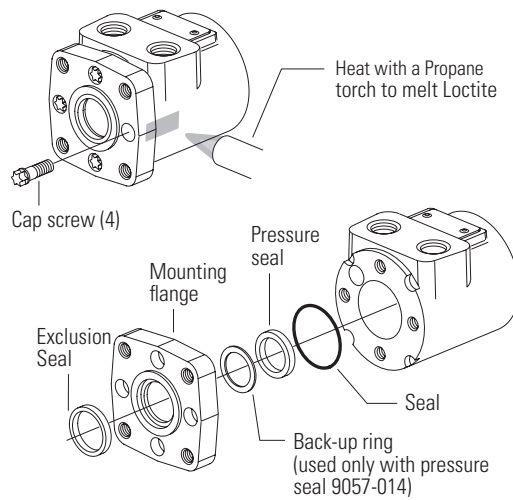


Figure 6

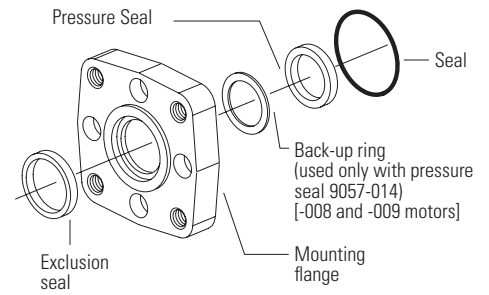


Figure 7

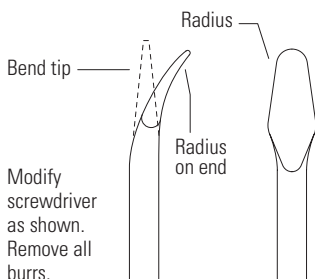


Figure 8

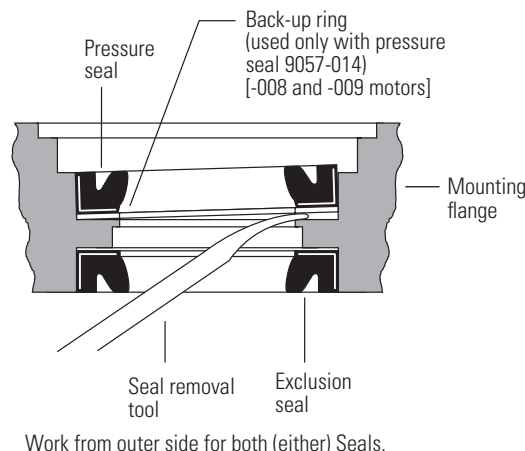


Figure 9

Reassembly

17. A metal plug, with seal, plugs a machining hole in the housing. It is not necessary to remove plug and replace seal unless leakage occurs around plug. To remove plug, insert 5 mm [.187 in.] hex key through port opening and push it out (see Figure 10). The 009 plug is not interchangeable with 007 and 008 plugs.

Reassembly

Shaft end

Check all mating surfaces. Replace any parts with scratches or burrs that could cause leakage or damage. Clean all metal parts in clean

solvent. Blow dry with air. Do not wipe parts with cloth or paper towel because lint or other matter could get into the hydraulic system and cause damage.

Check around key slot and chamfered area of shaft for burrs, nicks or sharp edges that could damage seals during reassembly. Remove nicks or burrs with a hard smooth stone (such as an Arkansas stone). Do not file or grind motor parts.

Note: Lubricate all seals with petroleum jelly. Use new seals when reassembling motor. Refer to parts list 6-121 for proper seal kit numbers.

Important

Do not stretch seals before installing them.

Cleanliness is extremely important in the successful application of Loctite. Before Loctite can be applied, the parts should be cleaned as follows:

Note: Fully cured Loctite resists most solvents, oils, gasoline and kerosene and is not affected by cleaning operations. It is not necessary to remove cured Loctite that is securely bonded in tapped holes; however, any loose particles of cured Loctite should be removed.

- a. Wash the housing with solvent to remove oil, grease and debris. Pay particular attention to four tapped holes on flange end.
 - b. Blow dry with compressed air. Clean and dry tapped holes.
 - c. Wire brush screw threads to remove cured Loctite and other debris. Discard any screws that have damaged threads or rounded heads.
 - d. Wash screws with non-petroleum base solvent. Blow dry with compressed air.
18. If you remove plug and seal, lubricate new seal and install on plug. Some plugs have two o-ring grooves but require only one o-ring. Install o-ring in groove closest to end of plug. Push plug into housing so plug and housing are flush. Be careful not to damage seal.
 19. Lubricate output shaft with hydraulic oil, then install shaft in housing (see Figure 11).
- Important:**
Do not permit oil to get into the four tapped holes.
20. Install needle thrust bearing, then bearing race on shaft. Pull shaft partially out of housing. Push all three parts in housing together (see Figure 11). The bearing race must rotate freely when in position.
 21. Install exclusion seal in flange (see Figure 12). Carefully press exclusion seal into place.

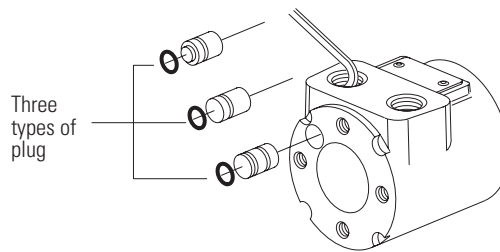


Figure 10

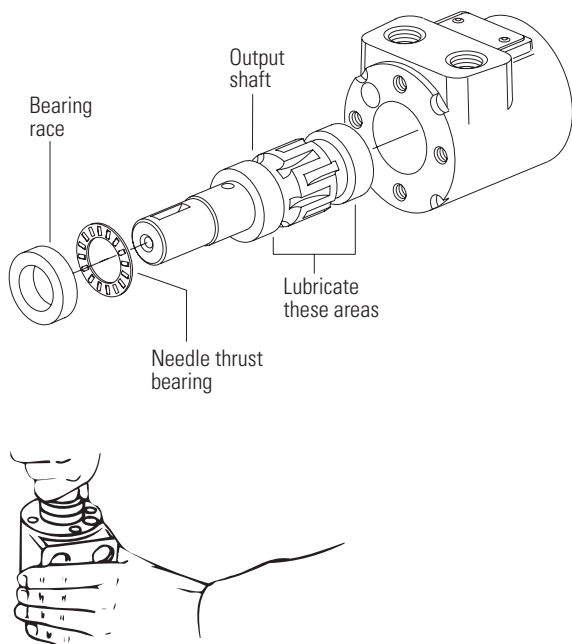


Figure 11

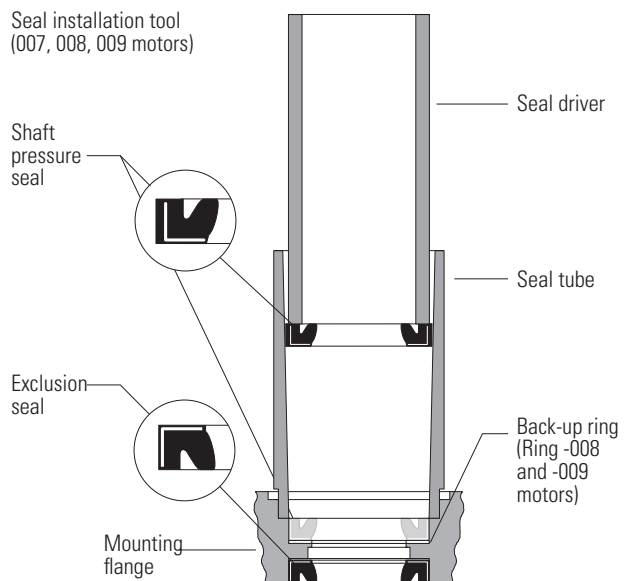


Figure 12

Reassembly (continued)

22. Visually check seal seat in mounting flange for scratches or other marks that might damage the pressure seal. Check for cracks in flange that could cause leakage.
23. Lubricate I.D. of seal tube and O.D. of shaft pressure seal with light film of clean petroleum jelly. Align small I.D. end of seal tube with seal seat in mounting flange. Install back-up ring and pressure seal in tube with lips of seal face up (see Figure 12).

Note: With use of Pressure Seal 6029894-002 (Medium Pressure) or Pressure seal (HP) 5995483-001, Back-up ring does not need to be installed, see Figure 14A (Version-009)

Insert seal driver in tube and firmly push seal seat with a rotating action.

Important

After installing seal in flange, examine seal condition. If damaged or improperly installed, you must replace it before continuing with reassembly.

24. Install 44.1 mm [1.74 in.] seal in flange.
25. It is recommended to apply a light coat of Loctite Primer NF in tapped holes of housing. Allow primer to air dry for at least 1 minute. Do not force dry with air jet; the primer will blow away. Use of primer is optional. With primer, Loctite curing time is approximately 15 minutes. Without primer curing time is approximately 6 hours.

26. Apply 3 or 4 drops of Loctite sealant at top of thread for each of four holes in housing (see Figure 13). Do not allow parts with Loctite applied to come in contact with any metal parts other than those for assembly. Wipe off excess Loctite from housing face, using a nonpetroleum base solvent.

Do not apply Loctite to threads more than 15 minutes before installing screws. If housing stands for more than 15 minutes, repeat application. No additional cleaning or removal of previously applied Loctite is necessary.

27. Before installing flange and seal assembly over shaft, place protective sleeve or bullet over shaft. Then lubricate space between exclusion seal and pressure seal, as well as lips of both seals (see Figure 14).
Install flange. Rotate flange slowly while pushing down over shaft. Be careful not to invert or damage seals.
28. After removing bullet, clamp motor in vise as shown in Figure 15. Make sure shaft cannot fall out. Install dry screws and alternately torque them immediately to 250 lb-in [28 Nm]. If you use primer, allow to cure for 10 to 15 minutes. Without primer, allow 6 hours curing time before subjecting motor to high torque reversals. On all other applications, you can run motor immediately.

If you use new screws, make sure they are the correct length: 22 mm [.875 in.] under head length. See parts list for correct part number.

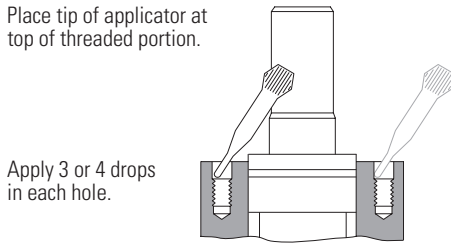


Figure 13

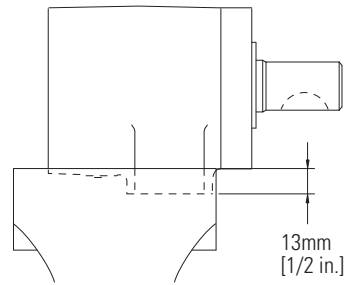


Figure 15

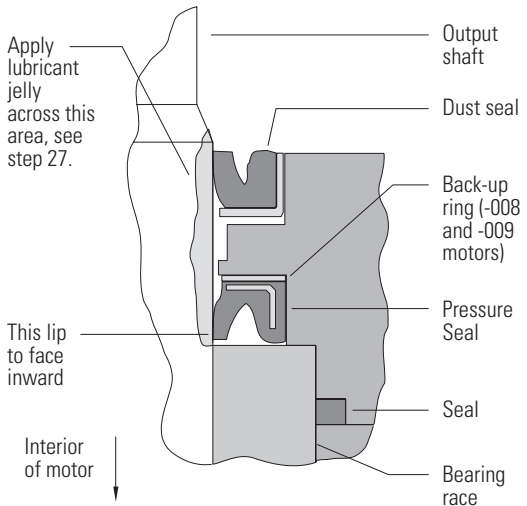


Figure 14

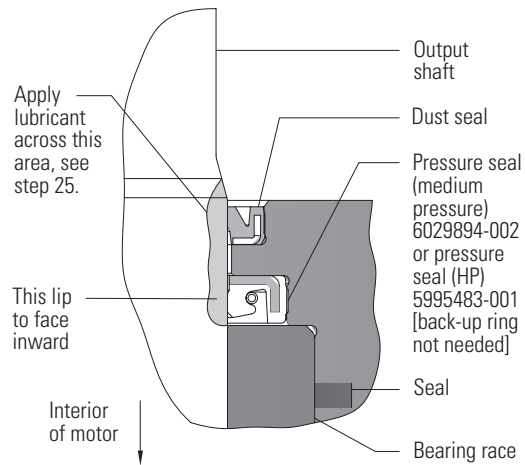


Figure 14A (version -009)

Reassembly (continued)

Gerotor End

29. Reposition motor with gerotor end up, then clamp across ports. Do not clamp on side of housing.

Important

To aid installation of seals, apply light coat of clean petroleum jelly to seals. Do not stretch seals before installing them in groove.

30. Pour approximately 35 cc of clean hydraulic oil in output shaft cavity.
31. Install 73 mm [2.875 in.] I.D. seal in housing seal groove. Avoid twisting seal.

32. Rotate gerotor to line up with bolt holes. Be careful not to disengage star from drive or disturb gerotor seal.
33. Install drive spacer if applicable.
34. Install 73 mm [2.875 in.] seal in end cap. Carefully place end cap on gerotor.
35. Install cap screws and seal washers (if applicable) in end cap. Pretighten screws to 7,4 Nm [40 lb-in]. Make sure seal washers are properly seated. Then torque screws 27-28 Nm [235-250 lb-in] in sequence, as shown in figure 18.

Timing Procedure

- a. Install drive. Use felt tip marker to mark one drive tooth. Align this tooth with timing dot on shaft.
Note: If drive is not symmetrical, install larger splined end into shaft.
- b. Install spacer plate.
- c. Install 73 mm [2.875 in.] I.D. seal in gerotor seal groove. Carefully place gerotor on spacer plate, seal side toward spacer plate.

Standard Rotation

Align any star point with tooth marked on drive (see Figure 16).

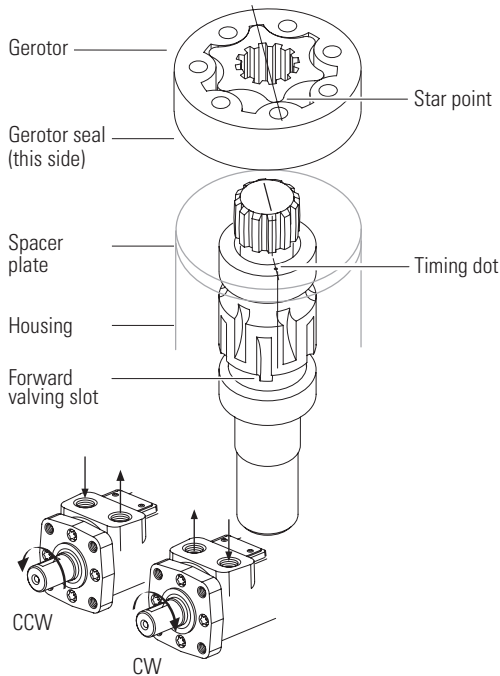


Figure 16

Reverse Rotation

Align any star valley with marked tooth (see Figure 17).

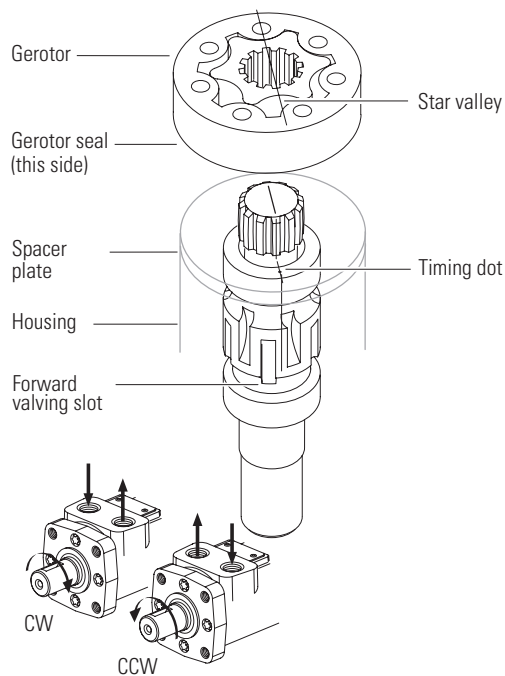


Figure 17

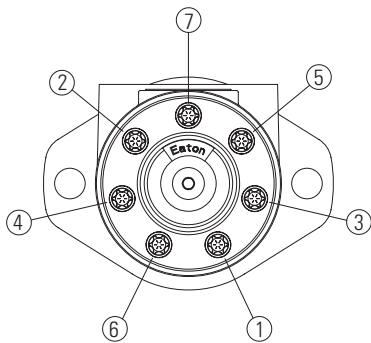


Figure 18

Reassembly

Speed Sensor

1. Rotate the motor shaft until a (gear/target) tooth is centered in the speed sensor port. If this is not done, the sensor may be damaged during the operation of the motor.
2. Make sure the lock nut and its threads are clean and dry for the proper torque. Position the lock nut against the alignment nut as shown in Figure 19.
3. Move the washer and the o-ring up against the speed sensor body threads as shown in Figure 19.
4. By hand, lightly thread the speed sensor body into the housing until the sensor touches against the motor (gear/target) tooth. Do not force the sensor against the (gear/ target) tooth, damage may occur. Make sure the o-ring or the washer do not touch the housing — see Figure 20.
5. Turn the speed sensor body out one quarter turn (CCW) plus the additional amount (CCW) needed to make the alignment notches perpendicular to the motor shaft centerline ($90^{\circ} \pm 5$ degrees from the motor shaft centerline — Figure 21 and 22).
6. 6 Maintain the speed sensor body alignment (Figure 22), and tighten the lock nut to 8,5-14 Nm [75-125 lb-in.] (torque values are for clean dry threads).
7. Check the speed sensor body for correct alignment (Figure 22), reinstall the sensor if it is not correct.

Speed sensor installation

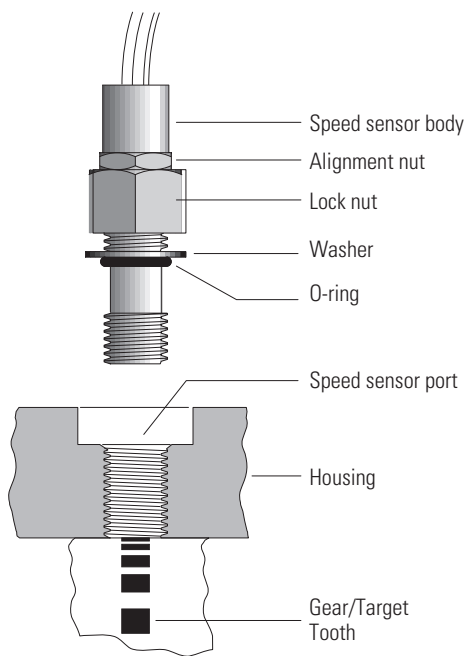


Figure 19

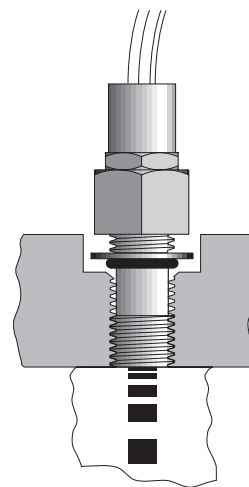


Figure 20

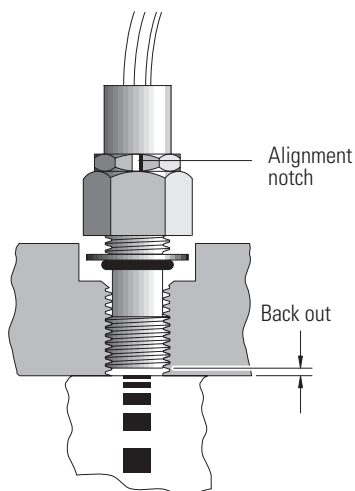


Figure 21

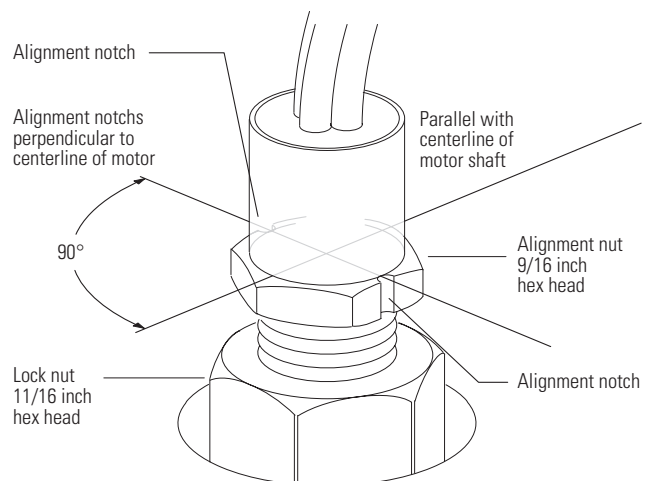


Figure 22

Common product numbers

Product numbers—H series

Add three digit prefix —101—to four digit number from chart for complete product number—Example 101-1868.

Orders will not be accepted without three digit prefix.

Mounting	Shaft	Ports	Displacement cm ³ /r [in ³ /r] product number 101-XXXX													
			36 [2.2]	46 [2.8]	59 [3.6]	74 [4.5]	97 [5.9]	120 [7.3]	146 [8.9]	159 [9.7]	185 [11.3]	231 [14.1]	293 [17.9]	370 [22.6]	740 [45.0]	
2 Bolt flange	1 in. straight w/woodruff key	7/8-14 O-ring	101-1700	-1033	-1701	-1034	-1035	-1702	-1703	-1036	-1037	-1038	-1039	-1040	—	
		1/2 NPTF	101-1704	-1025	-1705	-1026	-1027	-1706	-1707	-1028	-1029	-1030	-1031	-1032	—	
		Manifold*	101-1708	-1041	-1709	-1042	-1043	-1710	-1711	-1044	-1045	-1046	-1047	-1048	—	
	1 in. SAE 6B splined	7/8-14 O-ring	101-1721	-1081	-1722	-1082	-1083	-1723	-1724	-1084	-1085	-1086	-1087	-1088	—	
		1/2 NPTF	101-1725	-1073	-1726	-1074	-1075	-1727	-1728	-1076	-1077	-1078	-1079	-1080	—	
		Manifold*	101-1729	-1089	-1730	-1090	-1091	-1731	-1732	-1092	-1093	-1094	-1095	-1096	—	
	1 in. straight w/.31 dia. crosshole	7/8-14 O-ring	101-1796	-1797	-1798	-1799	-1800	-1801	-1802	-1803	—	—	—	—	—	
		1/2 NPTF	101-1804	-1805	-1806	-1807	-1808	-1870	-1809	-1810	—	—	—	—	—	
		Manifold*	101-1811	-1812	-1813	-1814	-1815	-1816	-1817	-1818	—	—	—	—	—	
	1 in. straight w/.40 dia. crosshole	7/8-14 O-ring	101-1819	-1323	-1820	-1324	-1325	-1821	-1822	-1326	—	—	—	—	—	
		1/2 NPTF	101-1823	-1319	-1824	-1320	-1825	-1826	-1827	-1828	—	—	—	—	—	
		Manifold*	101-1829	-1463	-1830	-1831	-1832	-1833	-1834	-1871	—	—	—	—	—	
	4 Bolt flange	1 in. straight w/woodruff key	7/8-14 O-ring	101-1749	-1009	-1750	-1010	-1011	-1751	-1752	-1012	-1013	-1014	-1015	-1016	—
			1/2 NPTF	101-1753	-1001	-1754	-1002	-1003	-1755	-1756	-1004	-1005	-1006	-1007	-1008	—
			Manifold*	101-1757	-1017	-1758	-1018	-1019	-1759	-1760	-1020	-1021	-1022	-1023	-1024	—
1 in. SAE 6B splined		7/8-14 O-ring	101-1761	-1057	-1762	-1058	-1059	-1872	-1763	-1060	-1061	-1062	-1063	-1064	—	
		1/2 NPTF	101-1764	-1049	-1765	-1050	-1051	-1766	-1767	-1052	-1053	-1054	-1055	-1056	—	
		Manifold*	101-1768	-1065	-1769	-1066	-1067	-1770	-1771	-1068	-1069	-1070	-1071	-1072	—	
1 in. straight w/.31 dia. crosshole		7/8-14 O-ring	101-1835	-1836	-1837	-1838	-1839	-1840	-1841	-1842	—	—	—	—	—	
		1/2 NPTF	101-1843	-1497	-1844	-1449	-1352	-1845	-1846	-1847	—	—	—	—	—	
		Manifold*	101-1848	-1466	-1849	-1459	-1850	-1851	-1852	-1853	—	—	—	—	—	
1 in. straight w/.40 dia. crosshole		7/8-14 O-ring	101-1854	-1311	-1855	-1856	-1857	-1858	-1859	-1860	—	—	—	—	—	
		1/2 NPTF	101-1861	-1313	-1862	-1312	-1314	-1863	-1864	-1315	—	—	—	—	—	
		Manifold*	101-1865	-1305	-1866	-1306	-1307	-1867	-1868	-1869	—	—	—	—	—	

101-1868

Product numbers—H series motors with corrosion protection

Mounting	Shaft	Ports	Displacement cm ³ /r [in ³ /r] product number 101-XXXX												
			36 [2.2]	46 [2.8]	59 [3.6]	74 [4.5]	97 [5.9]	120 [7.3]	146 [8.9]	159 [9.7]	185 [11.3]	231 [14.1]	293 [17.9]	370 [22.6]	740 [45.0]
4 Bolt flange	1 in. straight w/woodruff key	7/8-14 O-ring	101-2032	-2014	-2093	-2027	-2013	-2094	-2095	-2015	-2028	-2029	-2030	-2031	—
		1/2 NPTF		-2067							-2068	-2069			

*Manifold product numbers shown are for motors with four 5/16-18 port face mounting threads. Manifold, manifold mounting o-rings and bolts are NOT included (for M8 x 1,5 port face mounting threads see note below).

Eaton
Hydraulics Group USA
14615 Lone Oak Road
Eden Prairie, MN 55344
USA
Tel: 952-937-9800
Fax: 952-294-7722
www.eaton.com/hydraulics

Eaton
Hydraulics Group Europe
Route de la Longeraie 7
1110 Morges
Switzerland
Tel: +41 (0) 21 811 4600
Fax: +41 (0) 21 811 4601

Eaton
Hydraulics Group Asia Pacific
Eaton Building
No.7 Lane 280 Linhong Road
Changning District,
Shanghai 200335
China
Tel: (+86 21) 5200 0099
Fax: (+86 21) 2230 7240