

PUMP MOTOR ADAPTERS FOR ELECTRIC MOTORS

VERTICAL MOUNTING ADAPTER RINGS

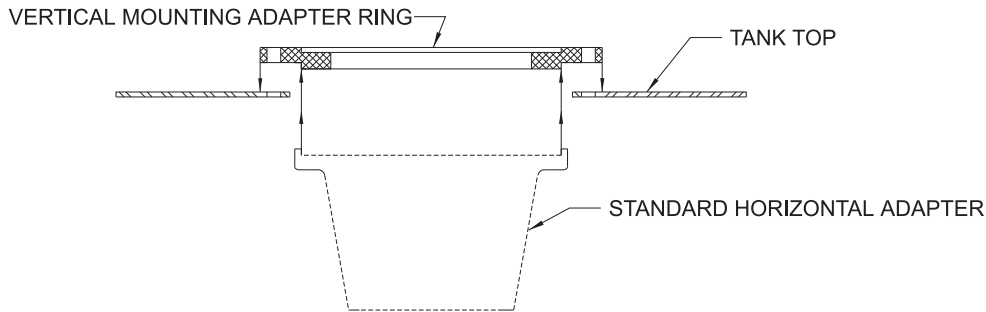
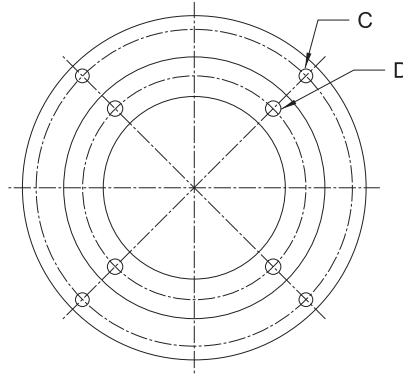
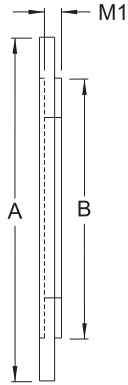
Vertical Adapter Rings are designed to convert a horizontal style pump motor adapter for use in a vertical application.

Standard Feature:

- Machined pilots that easily mount to the motor end of the adapter

Standard Material:

- Cast Aluminum and Carbon Steel



Vertical Mounting Adapter Rings

Motor Size	Dimensions					Part No.	General Information	Mounting Info.
	A	B	C	D	M1			
182TC thru 256TC 213UC thru 256UC	11.50 inch Dia.	8.50 inch Dia.	4 Slots .53 inch dia. on 10.25 to 10.50 B.C.	4 Holes .56 inch dia. on 7.25 inch dia. B.C.	.50 inch	268299	For use with 182TC/256TC and 213UC/256UC pump motor adapters. (add .50 inch to "M" dimension of adapter) See page 98 for optional Vertical Mounting Gasket	Tank top requires 9.12 inch dia. hole with (4) .56 inch dia. holes equally spaced on a 10.25 inch dia. bolt circle
284TC/TSC 286TC/TSC 284UC/286UC	13.50 inch Dia	10.50 inch Dia.	4 Holes .56 inch dia. on 12.50 inch dia. B.C.	4 Holes .56 inch dia. on 9 inch dia. B.C.	.50 inch	268399	For use with 284/286TC thru 284/286/TSC and 284/286UC pump motor adapters (add .50 inch to "M" dimension of adapter) See page 98 for optional Vertical Mounting Gasket	Tank top requires a 11.12 inch dia. hole with (4) .56 inch dia. holes equally spaced on a 12.50 inch dia. bolt circle
324TC/TSC thru 405TC/TSC 324UC/USC thru 405UC/USC	16.75 inch Dia.	12.50 inch Dia.	4 Holes .69 inch dia. on 15.50 inch dia. B.C.	4 Holes .69 inch dia. on 11 inch dia. B.C.	.62 inch	268499	For use with 324TC/TSC thru 405TC/TSC and 324UC/USC thru 405UC/USC pump motor adapters. (add .62 inch to "M" dimension of adapter) See page 98 for optional Vertical Mounting Gasket	Tank top requires 14.12 inch dia. hole with (4) .69 inch dia. holes equally spaced on a 15.50 inch dia. bolt circle

Dimensions and specifications are subject to change without notice. Not all items are Made-To-Stock, contact us for availability.

02/19

Ph : 920-682-6877
Fx : 920-684-7210



sales@ldi-industries.com
www.ldi-industries.com