

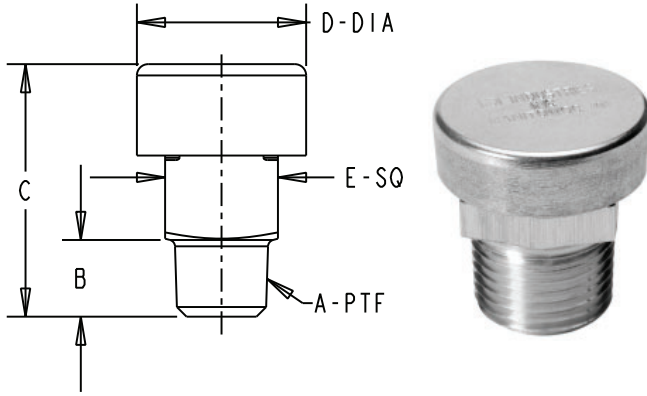
VENTS & BREATHERS

AV100 SERIES

The AV100 Series of protected vents features a labyrinth air path that restricts direct entry of dirt and moisture.

Standard Material:

- Aluminum construction



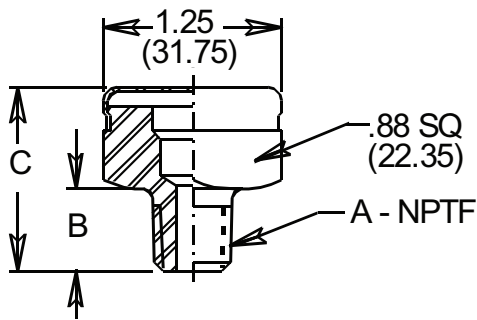
AV100 Series					
Part No.	A PTF	B inches (mm)	C inches (mm)	D inches (mm)	E inches (mm)
AV101	1/8	.33 (8.38)	1.12 (28.45)	.75 (19.05)	.50 (12.70)
AV102	1/4	.50 (12.70)	1.19 (30.23)	.75 (19.05)	.56 (14.22)
AV103	3/8	.51 (12.95)	1.25 (31.75)	1.00 (25.40)	.69 (17.53)
AV104	1/2	.66 (16.76)	1.31 (33.27)	1.25 (31.75)	.88 (22.35)
AV105	3/4	.66 (16.76)	1.50 (38.10)	1.50 (38.10)	1.12 (28.45)

AV200 SERIES

The AV200 Series of high flow vents features a large flow area with a low profile and tamper proof cap.

Standard Materials:

- Steel construction
- Zinc plated



NOTE: All dimensions are inches (mm)



AV200 Series			
Part No.	A NPTF	B inches (mm)	C inches (mm)
AV201	1/8	.38 (9.65)	1.08 (27.43)
AV202	1/4	.56 (14.22)	1.26 (32.00)
AV203	3/8	.56 (14.22)	1.26 (32.00)
AV204	1/2	.75 (19.05)	1.45 (36.83)

**AV200 Series currently made to order.
(Minimum order may be required)**

ORDERING OPTIONS:

No suffix = Full Flow.

- B Baffle
- F Felt filter (SAE F10 material)
- S Screen (100 mesh Stainless Steel)

HOW TO ORDER

EXAMPLE:

AV204-S — Optional screen (100 mesh Stainless Steel)
AV204 Series

Dimensions and specifications are subject to change without notice. Not all items are Made-To-Stock, contact us for availability.

02/14

Ph : 920-682-6877
Fx : 920-684-7210



sales@ldi-industries.com
www.ldi-industries.com