

VENTED OIL GAGES

GT100 SERIES

The GT100 Series vented brass oil gage has a male elbow base and integral, wetted dial thermometer providing direct reading of the fluid temperature. The viewing window has 360° adjustment for optimal orientation to view fluid after installation. The sealing gaskets are contained on both their ID and OD to facilitate trouble-free assembly after on-site repositioning of the viewing window.

Standard Features:

- .88 inch SQ base
- Male tapered pipe thread base connection (1/4, 3/8, 1/2 or 3/4 inch NPTF)
- .39 inch wide viewing window, length varies from 1.33 to 7.33 inches depending on gage selected
- 1.38 inch diameter dual scale dial thermometer, 50° to 300°F and 10° to 150°C
- 360° adjustment of viewing window
- Suitable for use with most machine lubricating oils

Standard Materials:

- Brass construction
- Buna N seals
- Borosilicate glass sight

Temperature Rating:

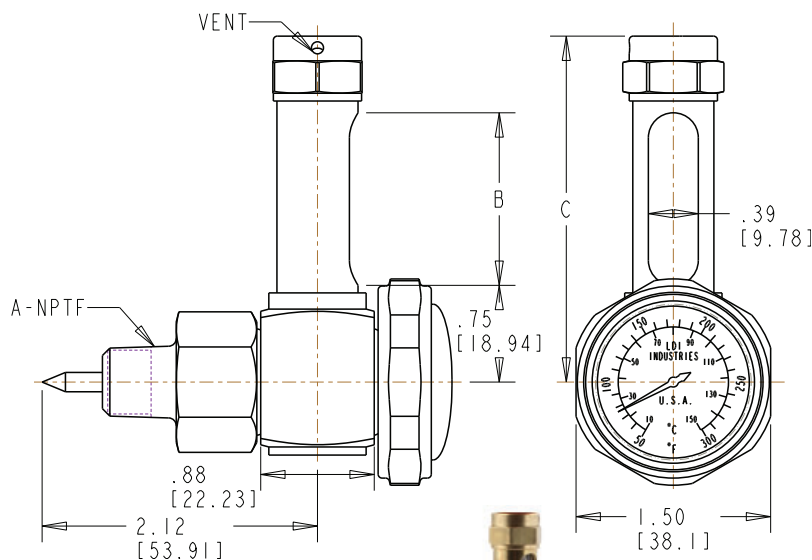
- Maximum operating temperature of 250°F (121°C) with standard Buna N seals. For applications not compatible with Buna N seal material, consult factory for available options and corresponding temperature ratings.

Notes:

- When installing oil gage in a confined space, disassemble the base subassembly from the rest of the oil gage. The base subassembly consists of the pipe adapter, base and thermometer. Install the base subassembly separately to the reservoir. Once base subassembly is in position and secure, reassemble the loose oil gage components to the base.
- Oil Gage Modifications are available, please see Appendix LE-1 on page LE-A1 for more information.

Caution:

Reservoir must be drained to remove dial thermometer or loss of fluid will occur.



NOTE: All dimensions are inches [mm]



GT100 Series			
Part No.	A NPTF	B inches (mm)	C inches (mm)
GT102-2	1/4	1.33 (33.78)	2.66 (67.56)
GT102-3	3/8	1.33 (33.78)	2.66 (67.56)
GT103-2	1/4	1.83 (46.48)	3.16 (80.26)
GT105-2	1/4	2.83 (71.88)	4.16 (105.66)
GT105-3	3/8	2.83 (71.88)	4.16 (105.66)
GT105-4	1/2	2.83 (71.88)	4.16 (105.66)
GT107-4	1/2	4.33 (109.98)	5.66 (143.76)
GT108-2	1/4	5.33 (135.38)	6.66 (169.16)
GT108-4	1/2	5.33 (135.38)	6.66 (169.16)
GT108-5	3/4	5.33 (135.38)	6.66 (169.16)
GT109-5	3/4	7.33 (186.18)	8.66 (219.96)

Dimensions and specifications are subject to change without notice. Not all items are Made-To-Stock, contact us for availability.

02/14

Ph : 920-682-6877
Fx : 920-684-7210



sales@ldi-industries.com
www.ldi-industries.com