

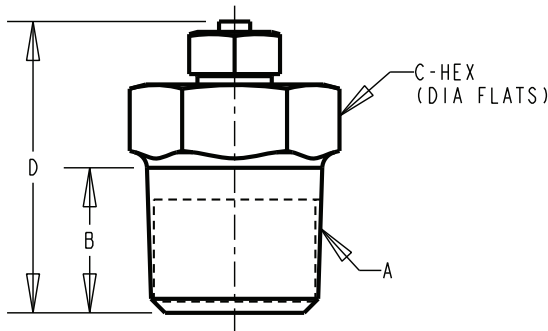
# PRESSURE/VACUUM RELIEF VENTS

## PRV100 SERIES

Dual purpose relief or filler vent plugs can be used for gear box housings and bearings where excessive pressures are not desirable. Unit will reseal itself for continuous duty.

### Standard Material:

- Plated steel



When ordering, select catalog number followed by suffix number for the relief pressure - (x).

### EXAMPLE:

**PRV104-4** – 15 to 25 PSI (103 to 172 kPa) relief pressure  
1/2-14 PTF

PRV100 Series				
Part No.	A PTF	B inches (mm)	C inches (mm)	D inches (mm)
<b>PRV101-(x)</b>	1/8	.31 (7.87)	.44 (11.18)	.59 (14.99)
<b>PRV102-(x)</b>	1/4	.50 (12.70)	.62 (15.75)	1.12 (28.45)
<b>PRV103-(x)</b>	3/8	.50 (12.70)	.75 (19.05)	1.19 (30.23)
<b>PRV104-(x)</b>	1/2	.62 (15.75)	.88 (22.35)	1.38 (35.05)

Suffix	-1 PSI (kPa)	-2 PSI (kPa)	-3 PSI (kPa)	-4 PSI (kPa)	-5 PSI (kPa)
<b>Min.</b>	.25 (1.7)	1 (6.9)	7.50 (51.7)	15 (103.4)	45 (310.3)
<b>Max.</b>	1 (6.9)	5 (34.5)	15 (103.4)	25 (172.4)	80 (551.6)

## PRV200 SERIES

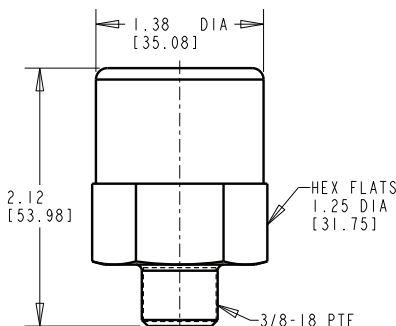
The PRV200 Series relief vents provide protection from excessive pressure buildup and from potential collapse caused by a vacuum condition forming in their installed applications. These valves are designed to exchange air between the interior of the reservoir and the outside atmosphere.

### Standard Feature:

- 3/8 inch PTF stud end

### Standard Materials:

- 20 micron bronze filter
- Steel body
- Aluminum cap
- Buna N seals



PRV200 Series		
Part No.	PSI (kPa)	Vacuum inches Hg (mm Hg)
<b>PRV201-03</b>	3.0 - 6.0 (20.7 - 41.4)	2.0 - 3.0 (50.8 - 76.2)
<b>PRV201-13</b>	6.0 - 12.0 (41.4 - 82.7)	28.0 - 30.0 (711.0 - 762.0)
<b>PRV201-30</b>	0.4 - 0.9 (2.8 - 6.2)	20.0 - 25.0 (508.0 - 635.0)

**NOTE:** All dimensions are inches (mm)

**NOTE:** Modifications are available

Dimensions and specifications are subject to change without notice. Not all items are Made-To-Stock, contact us for availability.

02/14

Ph : 920-682-6877  
Fx : 920-684-7210



sales@ldi-industries.com  
www.ldi-industries.com