

METERING & SHUT OFF VALVES

N400 SERIES

The N400 Series Needle Valves allow the flow to be accurately controlled from full orifice opening to shut off. Fluid flow is readily visible through a large sight window. Cross pattern can be used singularly or installed in series. Pressure units supplied with non-vented sights. Gravity feed valves are furnished with a vented sight chamber, provided by a split in the gasket above the sight glass.

Standard Features:

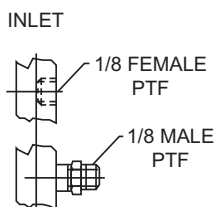
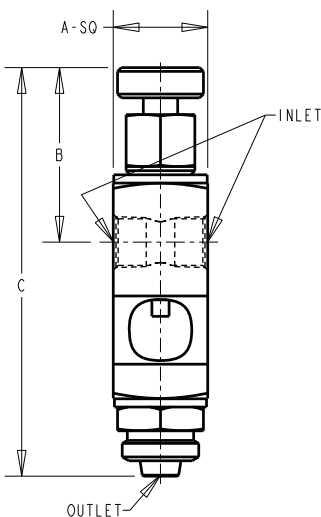
- 1/8 inch PTF female or 1/8 inch NPTF male connection for inlet and outlets
- 1/4 inch tubing outlet also available
- Vacuum application is available (requires modification)

Standard Materials:

- Precision machined from aluminum bar stock
- Pipe threads are dryseal

Pressure Rating:

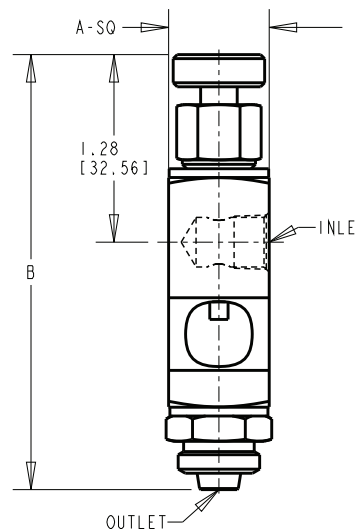
- Maximum working pressure up to 125 PSI (862 kPa) to orifice



N400 Series - Cross Pattern							
Part No.		A	Orifice			B	C
Gravity	Pressure	Hex Dia inches (mm)	inches (mm)	Inlet	Outlet	inches (mm)	inches (mm)
N401-01	N401-11	.69 (17.53)	.09 2.39	1/8 F	1/8 F	1.38 (35.05)	2.94 (74.68)
N401-04	—			1/8 F	1/4 T		3.38 (85.85)

N400 Series - Angle Pattern

Part No.		A	Orifice			B
Gravity	Pressure	Hex Dia inches (mm)	inches (mm)	Inlet	Outlet	inches (mm)
N403-01	—	.69 (17.53)	.09 2.39		1/8 F	2.94 (74.68)
N403-02	—			1/8 F	1/8 M	3.12 (79.25)
N403-04					1/4 T	3.38 (85.85)
N404-01	N404-11			1/8 M	1/8 F	2.94 (74.68)



NOTE: All dimensions are inches (mm)

**MODIFICATIONS AVAILABLE MADE TO ORDER - CONSULT OUR FACTORY
(MINIMUM ORDER MAY BE REQUIRED)**

Dimensions and specifications are subject to change without notice. Not all items are Made-To-Stock, contact us for availability.

02/14

Ph : 920-682-6877
Fx : 920-684-7210



sales@ldi-industries.com
www.ldi-industries.com