

LUBRICATORS & DISPENSERS

RVP SERIES

The RVP Series of air operated reservoirs can be used for applying lubricants to chains or rollers or for spraying large sheets using the SV100 series spray valves. By varying the air pressure on fluid and to the spray valve, the valve spray pattern can be accurately adjusted to prevent overspray and drip. The use of solenoid valves on the outlet sides provides a positive shut-off of air and liquid.

Standard Materials:

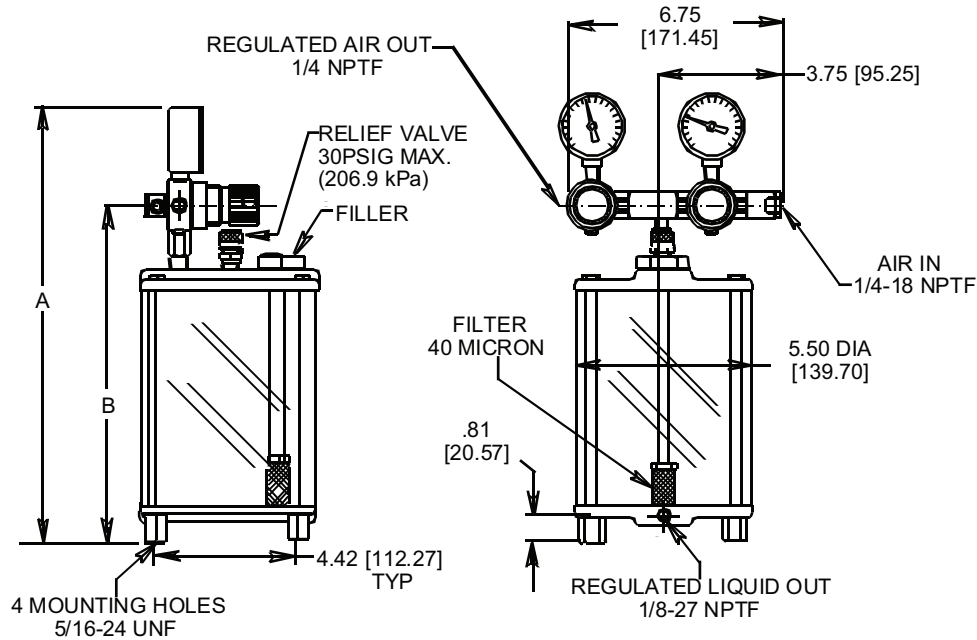
- Aluminum construction
- Buna N seals
- Break resistant, colorless, transparent polymer

Standard Feature:

- 40 micron filter

Pressure Ratings:

- Inlet unregulated air pressure to 125 psig (862 kPa) max
- Regulated air and fluid pressure to 30 psig (207 kPa) max



NOTE: All dimensions are inches [mm]



RVP Series			
Part No.	Capacity	A inches (mm)	B inches (mm)
RVP101	1 qt (.95 L)	10.75 (273.05)	7.25 (184.15)
RVP102	.50 gal (1.90 L)	14.25 (361.95)	10.75 (273.05)
RVP103	1.00 gal (3.80 L)	19.25 (488.95)	15.75 (400.05)
RVP104	2.00 gal (7.60 L)	32.25 (819.15)	28.75 (730.25)

Dimensions and specifications are subject to change without notice. Not all items are Made-To-Stock, contact us for availability.

04/16

Ph : 920-682-6877
Fx : 920-684-7210



sales@ldi-industries.com
www.ldi-industries.com