

LUBRICATORS & DISPENSERS

REO SERIES

The REO Series of sturdily constructed automatic solenoid controlled lubricators provides for precise control of lubricant through a needle valve. The normally closed solenoid is usually wired across machine starting switch to provide automatic off / on full flow fluid control. Feeding stops when machine is turned off. Compact center solenoid valve and mounting shank combination provides good weight distribution and facilitates mounting.

Standard Materials:

- Aluminum construction
- Buna N seals
- Break resistant, colorless transparent polymer
- Class "B" molded water resistant oil

Standard Features:

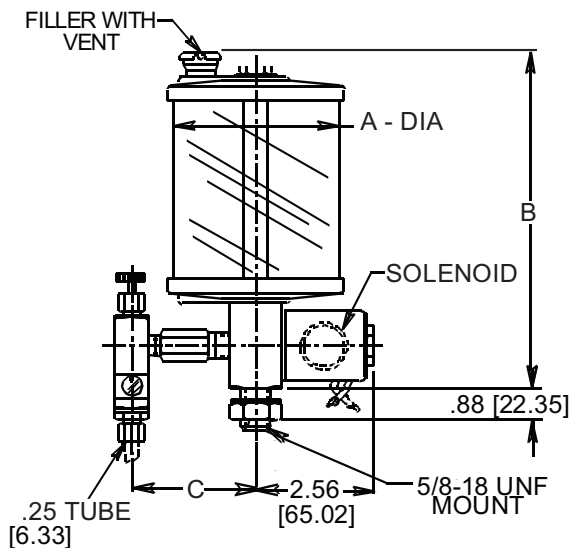
- Voltages available:
 - 24V, DC
 - 120V/60Hz 1Ph
 - 240V/60Hz 1Ph
 - 480V/60Hz 1Ph

Temperature and Pressure Ratings:

- Maximum working temperature up to 140°F (60°C)
- Rating is at atmospheric pressure

NOTE:

- For outdoor or damp applications, please specify Anodized.
- For replacement needle valve - please order part number N403-04



NOTE: All dimensions are inches [mm]



REO Series				
Part No.	Capacity	A inches (mm)	B inches (mm)	C inches (mm)
REO151	2.50 oz (73.90 mL)	2.00 (50.80)	4.69 (119.13)	1.58 (40.13)
REO152	5.00 oz (147.90 mL)	2.50 (63.50)	5.19 (131.83)	2.06 (52.32)
REO153	9.00 oz (266.20 mL)	3.00 (76.20)	6.00 (152.40)	2.38 (60.45)
REO154	12.00 oz (354.90 mL)	3.00 (76.20)	7.00 (177.80)	2.38 (60.45)
REO155	1.00 pt (.47 L)	3.50 (88.90)	7.00 (177.80)	2.69 (68.33)
REO156	1.00 qt (.95 L)	4.25 (107.95)	8.44 (214.38)	2.75 (69.85)
REO157	.50 gal (1.90 L)	5.50 (139.70)	10.44 (265.18)	3.53 (89.66)
REO158	1.00 gal (3.80 L)	5.50 (139.70)	15.44 (392.18)	3.81 (96.77)
REO159	2.00 gal (7.60 L)	5.50 (139.70)	28.44 (722.38)	3.50 (88.90)

ORDERING OPTIONS:

Order Suffix	Solenoid Voltage/Hertz:
-26	120V/60Hz, 1Ph (standard)
-27	240V/60Hz, 1Ph (standard)
-28	480V/60Hz, 1Ph
-43	24V DC

HOW TO ORDER

EXAMPLE:

REO155-26 — 120V/60Hz, 1 Ph Solenoid voltage Series REO155 - 1 pint (.47 liter) capacity reservoir

Dimensions and specifications are subject to change without notice. Not all items are Made-To-Stock, contact us for availability.

04/16

Ph : 920-682-6877
Fx : 920-684-7210



sales@ldi-industries.com
www.ldi-industries.com