

LUBRICATORS & DISPENSERS

REM SERIES

The REM Series of multiple feed, large capacity electro reservoirs with central mounting shank provide for controlled lubrication for 2 to 30 points from one location. Solenoid valve automatically controls full flow of oil from reservoir to valves. Drip feed rate is determined by your adjustment of each needle valve. Large reservoir provides 360° viewing at a glance. Units with odd number of feeds will be furnished with greater number of feeds to the right side unless otherwise specified.

Standard Materials:

- Aluminum construction
- Buna N seals
- Class 'B' molded water resistant coil
- Break resistant, colorless transparent polymer

Standard Features:

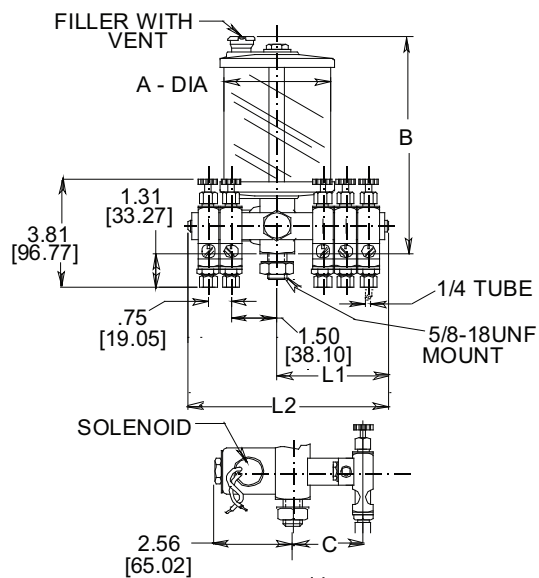
- Up to 30 feeds can be specified
- Voltages available:
 - 24V, DC
 - 120V/60Hz 1Ph
 - 240V/60Hz 1Ph
 - 480V/60Hz 1Ph

Temperature and Pressure Ratings:

- Maximum working temperature up to 140°F (60°C)
- Rating is at atmospheric pressure

NOTE:

- For outdoor or damp applications, please specify Anodized.
- For replacement feeds, please order part number 352890



NOTE: All dimensions are inches [mm]

REM Series

Part No.	Capacity	A inches (mm)	B inches (mm)	C inches (mm)
REM151	9 oz (266.20 mL)	3.00 (76.20)	6.00 (152.40)	2.00 (50.80)
REM152	12 oz (354.90 mL)	3.00 (76.20)	7.00 (177.80)	2.00 (50.80)
REM153	1 pt (.47 L)	3.50 (88.90)	7.00 (177.80)	2.25 (57.15)
REM154	1 qt (.95 L)	4.25 (107.95)	8.44 (214.38)	2.62 (66.55)
REM155	.50 gal (1.90 L)	5.50 (139.70)	10.44 (265.18)	3.25 (82.55)
REM156	1.00 gal (3.80 L)	5.50 (139.70)	15.44 (392.18)	3.25 (82.55)
REM157	2.00 gal (7.60 L)	5.50 (139.70)	28.44 (722.38)	3.25 (82.55)

ORDERING OPTIONS:

Order Suffix	Feeds
-02	Specify 02 through 30 feeds. (2 feeds are standard)
-30	

Order Suffix	Solenoid Voltage/Hertz:
-26	120V/60Hz, 1Ph
-27	240V/60Hz, 1Ph
-28	480V/60Hz, 1Ph
-43	24V DC

HOW TO ORDER

EXAMPLE:

REM153-02-26 — 120V/60Hz, 1 Ph
 2 feeds (standard)
 Series REM153 - 1 pint (.473 liter) capacity reservoir

Feeds	-02 inches (mm)	-03 inches (mm)	-04 inches (mm)	-05 inches (mm)	-06 inches (mm)	-10 inches (mm)	-20 inches (mm)	-30 inches (mm)
L1	2.19 (55.62)	2.94 (74.68)	2.94 (74.68)	3.69 (93.73)	3.69 (93.73)	5.19 (131.83)	8.94 (227.08)	12.69 (322.33)
L2	4.38 (111.25)	5.00 (127.00)	5.88 (149.35)	6.62 (168.15)	7.38 (187.45)	10.38 (263.65)	17.88 (454.15)	25.38 (644.65)

MODIFICATIONS AVAILABLE MADE TO ORDER - CONSULT OUR FACTORY (MINIMUM ORDER MAY BE REQUIRED)

Dimensions and specifications are subject to change without notice. Not all items are Made-To-Stock, contact us for availability.

04/16

Ph : 920-682-6877
 Fx : 920-684-7210



sales@ldi-industries.com
 www.ldi-industries.com