

CHAIN OILERS & APPLICATORS

REB SERIES

The REB Series of electro chain oilers offers a selection of nine long wearing nylon or stainless steel bristle brushes. For automatic operation, wire the normally closed solenoid across machine starting switch; feeding stops when machine is turned off.

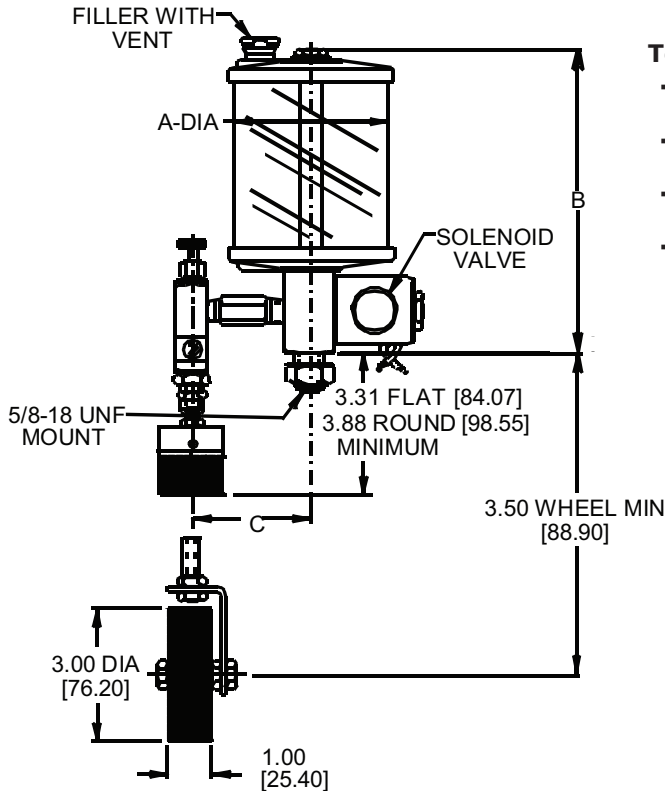
There are five sizes of flat brushes available allowing inexpensive brush replacement at a fraction of former cost. Flat brushes can be set at bias to adapt to width needed or be trimmed to suit individual preferences.

Standard Materials:

- Aluminum top and bottom plates
- Buna N seals
- Break resistant, colorless transparent polymer
- Class "B" molded water resistant coil

Standard Features:

- Central mounting shank facilitates mounting to customer supplied bracket
- Reservoir provides a quick, visual check of fluid level and condition
- Unit is easily disassembled for occasional cleaning



NOTE: All dimensions are inches [mm]

Temperature and Pressure Ratings:

- Polymer maximum working temperature up to 140°F (60°C)
- Nylon brush maximum working temperature up to 250°C (121°C)
- Stainless steel brush for maximum working temperature over 250°F (121°C)
- Ratings are at atmospheric pressure



ORDERING OPTIONS:

Order Suffix	Option
Material	
-N	Nylon bristle
-S	Stainless steel bristle
Size	
-1	.50 in x .38 in (12.70 mm x 9.65 mm) flat brush
-2	.75 in x .38 in (19.05 mm x 9.65 mm) flat brush
-3	1.00 in x .38 in (25.40 mm x 9.65 mm) flat brush
-4	1.50 in x .38 in (38.10 mm x 9.65 mm) flat brush
-5	2.25 in x .38 in (57.15 mm x 9.65 mm) flat brush
-6	.62 in (15.75 mm) diameter round brush
-7	1.00 in (25.40 mm) diameter round brush
-8	1.50 in (38.10 mm) diameter round brush
-9	3.00 in (76.20 mm) diameter x 1.00 in (25.40 mm) rotary wheel
Solenoid Valve	
-26	120V, 60Hz, 1 Ph class B
-27	240V, 60Hz, 1 Ph class B
-28	480V, 60Hz, 1 Ph class B
-43	24V DC

HOW TO ORDER

EXAMPLE:

REB309-N-4-26 — 120V, 60Hz, 1 Ph class B
 1.50 in x .38 in (38.10 mm x 9.65 mm) flat brush
 Nylon bristle
 Series REB309, 1 quart (.95 L) capacity reservoir

REB Series				
Part No.	Capacity	A inches (mm)	B inches (mm)	C inches (mm)
REB303	2.50 oz (73.90 mL)	2.00 (50.80)	4.69 (119.13)	1.62 (41.15)
REB304	5.00 oz (147.90 mL)	2.50 (63.50)	5.19 (131.83)	1.88 (47.75)
REB306	9.00 oz (266.20 mL)	3.00 (76.20)	6.00 (152.40)	2.44 (61.98)
REB307	12.00 oz (354.90 mL)	3.00 (76.20)	7.00 (177.80)	2.44 (61.98)
REB308	1.00 pt (.47 L)	3.50 (88.90)	7.00 (177.80)	2.56 (65.02)
REB309	1.00 qt (.95 L)	4.25 (107.95)	8.44 (214.38)	2.88 (73.15)
REB310	.50 gal (1.90 L)	5.50 (139.70)	10.44 (265.18)	3.62 (91.95)
REB311	1.00 gal (3.80 L)	5.50 (139.70)	15.44 (392.18)	3.62 (91.95)

Dimensions and specifications are subject to change without notice. Not all items are Made-To-Stock, contact us for availability.

04/16

Ph : 920-682-6877
 Fx : 920-684-7210



sales@ldi-industries.com
 www.ldi-industries.com