

# CHAIN OILERS & APPLICATORS

## RDB300 SERIES

The RDB300 Series of manual control chain oilers offers a selection of nine long wearing nylon or stainless steel bristle brushes. The toggle shut-off on the reservoir can be turned on and off without affecting the previously set feed rate. The drip rate is clearly visible through the large viewing window in the mounting shank.

There are five sizes of flat brushes available allowing inexpensive brush replacement at a fraction of former cost. Flat brushes can be set at bias to adapt to width needed or be trimmed to suit individual preferences.

### Standard Materials:

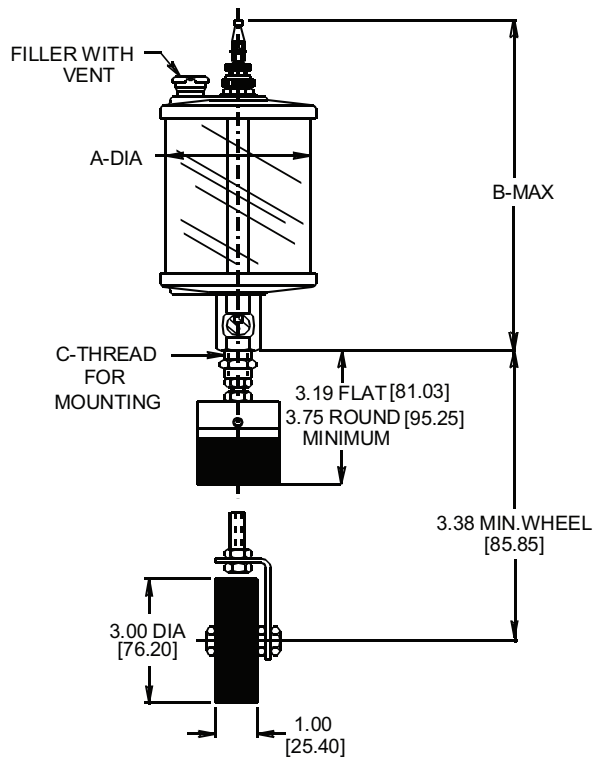
- Aluminum construction
- Buna N seals
- Break resistant, colorless transparent polymer

### Standard Features:

- Central mounting shank facilitates mounting to customer supplied bracket
- Easily disassembled for occasional cleaning

### NOTE:

- Please refer to Appendix LE-3 on page LE-A3 for Toggle Valve Adjustment Instructions



NOTE: All dimensions are inches [mm]

RDB300 Series				
Part No.	Capacity	A inches (mm)	B inches (mm)	C Thread UNF
RDB303	2.50 oz (73.90 mL)	2.00 (50.80)	5.19 (131.83)	1/2-20
RDB304	5.00 oz (147.90 mL)	2.50 (63.50)	5.75 (146.05)	1/2-20
RDB306	9.00 oz (266.20 mL)	3.00 (76.20)	7.00 (177.80)	5/8-18
RDB307	12.00 oz (354.90 mL)	3.00 (76.20)	8.38 (212.85)	5/8-18
RDB308	1.00 pt (.47 L)	3.50 (88.90)	8.38 (212.85)	5/8-18
RDB309	1.00 qt (.95 L)	4.25 (107.95)	9.38 (238.25)	5/8-18
RDB310	.50 gal (1.90 L)	5.50 (139.70)	11.31 (287.27)	5/8-18
RDB311	1.00 gal (3.80 L)	5.50 (139.70)	16.31 (414.27)	5/8-18

### Temperature and Pressure Ratings:

- Polymer maximum working temperature up to 140° F (60°C)
- Nylon brush maximum working temperature up to 250° F (121°C)
- Stainless steel brush for maximum working temperature over 250° F (121°C)
- Ratings are at atmospheric pressure



### ORDERING OPTIONS:

Order Suffix	Option
<b>Material</b>	
-N	Nylon bristle
-S	Stainless steel bristle
<b>Size</b>	
-1	.50 in x .38 in (12.70 mm x 9.65 mm) flat brush
-2	.75 in x .38 in (19.05 mm x 9.65 mm) flat brush
-3	1.00 in x .38 in (25.40 mm x 9.65 mm) flat brush
-4	1.50 in x .38 in (38.10 mm x 9.65 mm) flat brush
-5	2.25 in x .38 in (57.15 mm x 9.65 mm) flat brush
-6	.62 in (15.75 mm) diameter round brush
-7	1.00 in (25.40 mm) diameter round brush
-8	1.50 in (38.10 mm) diameter round brush
-9	3.00 in (76.20 mm) diameter x 1.00 in (25.40 mm) rotary wheel

### HOW TO ORDER

#### EXAMPLE:

**RDB308-N-3** — 1.00 x .38 inch (25.40 mm x 9.65 mm) flat brush  
Nylon bristle  
Series RDB308, 1 pint (.47 liter) capacity reservoir

Dimensions and specifications are subject to change without notice. Not all items are Made-To-Stock, contact us for availability.

02/14

Ph : 920-682-6877  
Fx : 920-684-7210



sales@ldi-industries.com  
www.ldi-industries.com