

# CHAIN OILERS & APPLICATORS

## REPLACEMENT BRUSHES

The LDI Replacement Brushes are direct replacements for shank or valve brushes and manual or electric chain oiler brushes. These three styles meet any lubrication requirement. The round brush is an all-in-one brush and holder unit. The flat brush is available as a flat strip only or complete with brush and holder.

Brushes are interchangeable, but if the style is changed from round to flat for instance, the flat brush with holder should be ordered, since the holder is an integral part of the brush.

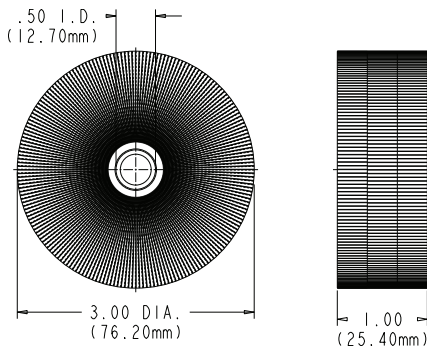
### Standard Material:

- Long wearing nylon bristles

### Temperature Ratings:

- Nylon maximum working temperature up to 250°F (121°C)
- For temperatures over 250°F (121°C), please specify stainless steel

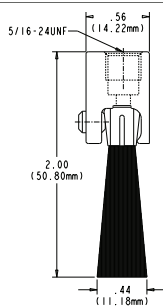
Round Brushes				
Part No.	Brush Material	A inches (mm)	B inches (mm)	C inches (mm)
<b>B102-2</b>	Nylon	.62 (15.75)	1.00 (25.40)	1.94 (49.28)
<b>B103-2</b>	Nylon	1.00 (25.40)	1.62 (41.15)	2.62 (66.55)
<b>B103-3</b>	Stainless Steel			



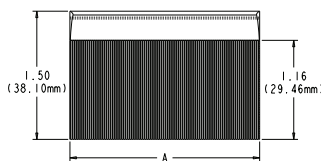
Rotary Brush	
Part No.	Brush Material
<b>B161-2</b>	Nylon

**NOTE:** All dimensions are inches (mm)

### Flat With Holder



### Flat



Flat Brushes and with Holder			
Part No. (Flat Brush)	Part No. (w/Holder)	Brush Material	A inches (mm)
<b>B151-2</b>	—	Nylon	.50 (12.70)
<b>B153-2</b>	<b>B123-2</b>	Nylon	1.00 (25.40)
<b>B154-2</b>	<b>B124-2</b>	Nylon	1.50 (38.10)
<b>B155-2</b>	<b>B125-2</b>	Nylon	2.25 (57.15)
<b>B155-3</b>	<b>B125-3</b>	Stainless Steel	

**NOTE:** All dimensions are inches (mm)

Dimensions and specifications are subject to change without notice. Not all items are Made-To-Stock, contact us for availability.

02/14

Ph : 920-682-6877  
Fx : 920-684-7210



sales@ldi-industries.com  
www.ldi-industries.com