

SIGHT PLUGS

LSP151 SERIES

The LSP151 Series low pressure brass sight plug has a clear glass sight and male PTF pipe thread connection. Designed to be an economical alternative to high performance fused sight plugs, the LSP151 Series sight plug features a tamper resistant construction and can be accessorized with reflector and float ball. Box quantities may apply.

Standard Features:

- Stud end sizes from 1/4 inch NPT to 2-11½ inch NPT
- Clear glass sight
- Available open view, with reflector or with reflector and float ball

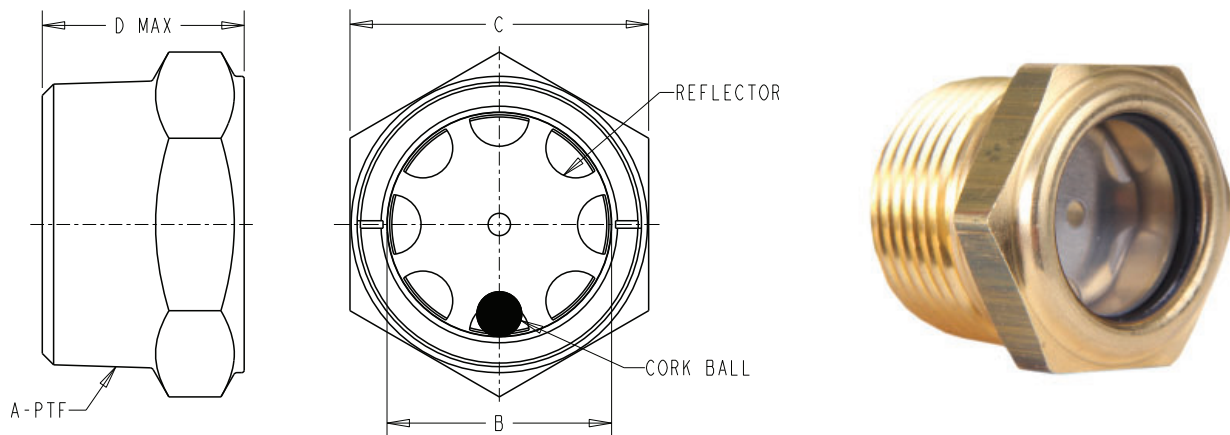
Standard Materials:

- Brass construction
- Soda lime glass sight
- Buna N seals
- Stainless Steel reflector (when applicable)
- Cork float ball (when applicable)

Temperature and Pressure Ratings:

- Maximum operating temperature up to 180°F (82°C).
(For applications requiring maximum operating temperatures in excess of 180°F (82°C), consult factory for available options.)
- See chart below for pressure ratings

- CAUTION:**
- Do not use an impact wrench to install a sight plug
 - Not recommended for steam applications
 - Scratched glass significantly reduces the pressure rating of the sight plug



LSP151 Series								
Open View	Part No. Reflector	Reflector and Ball	Min/Mult Box Quantity	A PTF	B inches (mm)	C inches (mm)	D inches (mm)	Max. Work. Pressure @ 69 °F (20 °C) PSI (kPa)
LSP151-02	-	-	25	1/4-18	.34 (8.64)	.62 (15.75)	.79 (20.07)	150 (1034)
LSP151-03	LSP151-03-01	LSP151-03-02	25	3/8-18	.44 (11.18)	.75 (19.05)	.86 (21.84)	100 (690)
LSP151-04	LSP151-04-01	LSP151-04-02	25	1/2-14	.56 (14.22)	.88 (22.35)	1.01 (25.65)	100 (690)
LSP151-05	LSP151-05-01	LSP151-05-02	25	3/4-14	.75 (19.05)	1.12 (28.45)	1.01 (25.65)	60 (414)
LSP151-06	LSP151-06-01	LSP151-06-02	15	1-11 1/2	.94 (23.88)	1.44 (36.58)	1.24 (31.50)	60 (414)
LSP151-07	LSP151-07-01	LSP151-07-02	15	1 1/4-11 1/2	1.19 (30.23)	1.75 (44.45)	1.42 (36.07)	25 (172)
LSP151-08	LSP151-08-01	LSP151-08-02	10	1 1/2-11 1/2	1.44 (36.58)	2.00 (50.80)	1.52 (38.61)	25 (172)
LSP151-09	LSP151-09-01	LSP151-09-02	10	2-11 1/2	1.88 (47.75)	2.50 (63.50)	1.70 (43.18)	10 (69)

Dimensions and specifications are subject to change without notice. Not all items are Made-To-Stock, contact us for availability.

06/14

Ph : 920-682-6877
Fx : 920-684-7210



sales@ldi-industries.com
www.ldi-industries.com