

SIGHT GAGES - CLOSED CIRCUIT

G1620 SERIES

The G1620 Series back mount closed circuit sight gages provide front viewing of the fluid level through a clear sight glass. Integral to the sight gage is a thermometer contained within a white colored card for direct reading of the fluid temperature. The white colored card helps draw eye contact to the fluid level quickly.

Standard Features:

- Back mount
- Fluid level visible from front of gage (.75 inches wide)
- Clear sight glass
- Card thermometer (3.00 inch centerline only), dual scale 60° to 180°F and 20° to 80°C graduations
- Card thermometer (5.00 inch and 10.00 inch centerline), dual scale 0° to 220°F and -20° to 110°C graduations
- Suitable for use with most hydraulic and machine lubricating oils

Standard Materials:

- Aluminum construction
- Buna N or Fluorocarbon (Viton®) seals
- Borosilicate glass sight
- Red color alcohol within thermometer bulb
- Zinc plated, steel locknuts

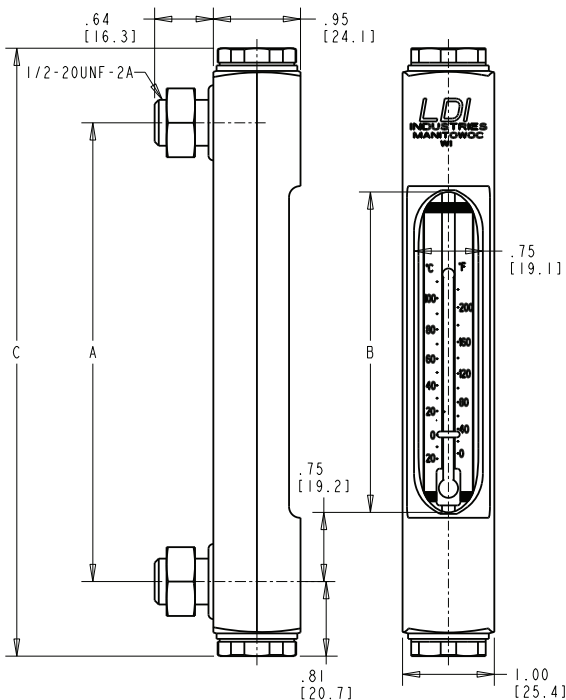
Temperature and Pressure Ratings:

- 20 psi (138 kPa) maximum working pressure at 150°F (65°C)
- Please refer to Temperature Ratings by Seal Material for additional operating conditions (Appendix RA-5 on page RA-A5)

NOTES:

- Access to inside of reservoir is required to mount this style sight gage.
- Please refer to Appendix RA-3 on page RA-A3 for installation instructions

CAUTION: - Not recommended for use with water, steam, acidic fluids, caustic fluids and volatile fluids



NOTE: All dimensions are inches [mm]

G1620 Series			
Part No.	A inches (mm)	B inches (mm)	C inches (mm)
Buna N SEALS			
G1620-03-A-1	3.00 (76.20)	1.37 (34.80)	4.62 (117.35)
G1620-05-A-1	5.00 (127.00)	3.37 (85.60)	6.62 (168.15)
G1620-10-A-1	10.00 (254.00)	8.37 (212.60)	11.62 (295.15)
VITON® SEALS			
G1620-03-A-3	3.00 (76.20)	1.37 (34.80)	4.62 (117.35)
G1620-05-A-3	5.00 (127.00)	3.37 (85.60)	6.62 (168.15)
G1620-10-A-3	10.00 (254.00)	8.37 (212.60)	11.62 (295.15)



ORDERING OPTIONS CODES:

BODY MATERIAL

- A- Aluminum gage body (standard)

SEAL MATERIAL

- 1- Buna N seals (standard)
- 3- Viton® seals (optional)

OPTIONS:

- **EPDM Seals**
 - Specify -4 in place of -1 or -3 in catalog number
- **Consult factory for availability & price on blue fluid in thermometer**
 - Specify "B" after seal number (Not available for 3.00 [76.20mm] centers)

HOW TO ORDER

EXAMPLE:

- G1620-05-A-1** — Buna N Seals
 — Aluminum gage body
 — 5.00 (127.00 mm) mounting centers
 — Series G1620

Dimensions and specifications are subject to change without notice. Not all items are Made-To-Stock, contact us for availability.

02/14

Ph : 920-682-6877
 Fx : 920-684-7210



sales@ldi-industries.com
 www.ldi-industries.com