

# SIGHT GAGES - CLOSED CIRCUIT

## G1615 SERIES

The G1615 Series front mount closed circuit sight gages provide front viewing of the fluid level through a clear glass sight. Integral to the sight gage is a thermometer contained within a white colored card for direct reading of the fluid temperature. The white colored card helps draw eye contact to the fluid level quickly.

### Standard Features:

- Front Mount
- Fluid level visible from front of gage (.75 inches wide)
- Clear glass sight
- Card thermometer (3.00 inch centerline only), dual scale 60° to 180°F and 20° to 80°C graduations
- Card thermometer (on 5.00 inch and 10.00 inch centerline), dual scale 0° to 220°F and -20° to 110°C graduations
- 1/2-20UNF mounting bolts accommodate reservoir wall thicknesses up to .62 inches
- Suitable for use with most hydraulic and machine lubricating oils

### Standard Materials:

- Aluminum gage body and mounting bolts
- Buna N seals
- Borosilicate glass
- Red color alcohol within thermometer bulb
- Steel, zinc plated hex nuts

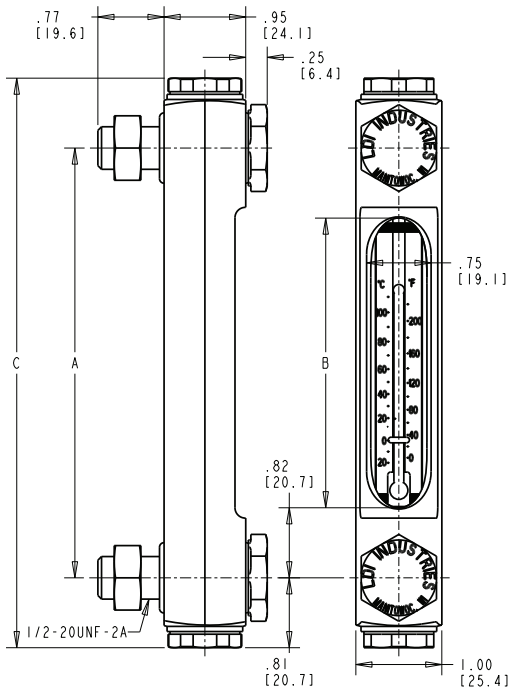
### Temperature and Pressure Ratings:

- Maximum working pressure up to 20 PSI (138 kPa) at 150°F (65°C), no corrosion
- Please refer to Temperature Ratings by Seal Material for additional operating conditions (Appendix RA-5 on page RA-A5)

### NOTE:

- Please refer to Appendix RA-2 on page RA-A2 for installation instructions

**CAUTION:** - Not recommended for use with water, steam, acidic fluids, caustic fluids and volatile fluids



| G1615 Series        |                     |                     |                     |
|---------------------|---------------------|---------------------|---------------------|
| Part No.            | A<br>inches<br>(mm) | B<br>inches<br>(mm) | C<br>inches<br>(mm) |
| <b>Buna N SEALS</b> |                     |                     |                     |
| G1615-03-A-1        | 3.00<br>(76.20)     | 1.37<br>(34.80)     | 4.62<br>(117.35)    |
| G1615-05-A-1        | 5.00<br>(127.00)    | 3.37<br>(85.60)     | 6.62<br>(168.15)    |
| G1615-10-A-1        | 10.00<br>(254.00)   | 8.37<br>(212.60)    | 11.62<br>(295.15)   |
| <b>VITON® SEALS</b> |                     |                     |                     |
| G1615-03-A-3        | 3.00<br>(76.20)     | 1.37<br>(34.80)     | 4.62<br>(117.35)    |
| G1615-05-A-3        | 5.00<br>(127.00)    | 3.37<br>(85.60)     | 6.62<br>(168.15)    |
| G1615-10-A-3        | 10.00<br>(254.00)   | 8.37<br>(212.60)    | 11.62<br>(295.15)   |



**NOTE:** All dimensions are inches [mm]

### ORDERING OPTIONS CODES:

#### BODY MATERIAL

-A- Aluminum gage body (standard)

#### SEAL MATERIAL

-1- Buna N seals (standard)  
-3- Viton® seals (optional)

#### OPTIONS:

##### • EPDM Seals

• Specify -4 in place of -1 or -3 in catalog number

##### • 1/2-13 Coarse thread for mounting

• Specify "C" after the seal number

##### • M12 x 1.75 thread for mounting

• Specify "M" after seal number

##### • Consult factory for availability & price on blue fluid in thermometer

• Specify "B" after seal number (Not available for 3.00 [76.20mm] centers)

### HOW TO ORDER

#### EXAMPLE:

**G1615-10-A-1** — Buna N Seals  
Aluminum gage body  
10.00 (254.00 mm) mounting centers  
Series G1615

Dimensions and specifications are subject to change without notice. Not all items are Made-To-Stock, contact us for availability.

02/14

Ph : 920-682-6877  
Fx : 920-684-7210



sales@ldi-industries.com  
www.ldi-industries.com