

SIGHT GAGES - CLOSED CIRCUIT

G613 SERIES

The G613 Series front mount closed circuit sight gage is mounted securely with end blocks made from aluminum. These end blocks are connected with a clear, rigid tubular Nylon sight providing 360° viewing of the fluid level. The Nylon sight combines rigidity with break resistant toughness.

Standard Features:

- Front mount
- 360° of viewing fluid level
- Suitable for use with most hydraulic and machine lubricating oils

Standard Materials:

- Aluminum end blocks and mounting bolts
- Nylon tubular sight
- Buna N seals

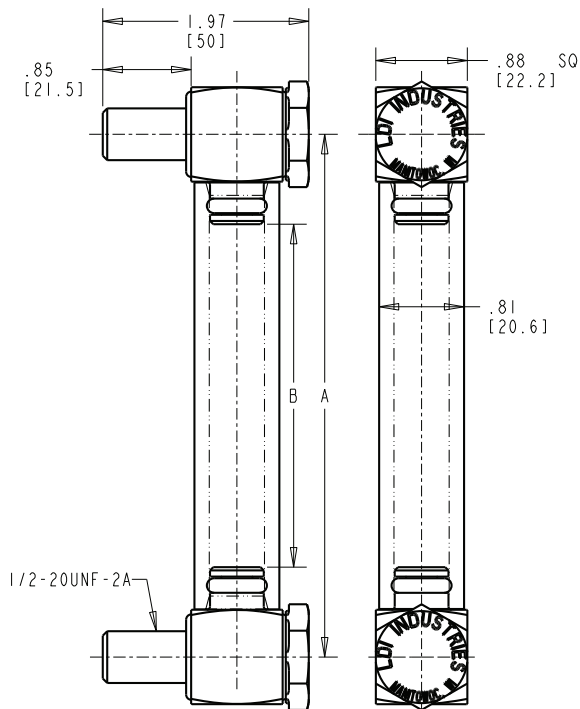
Temperature and Pressure Ratings:

- 225°F (107°C) maximum operating temperature
- 125 psi (862 kPa) maximum working pressure at 70°F (21°C)
- Please refer to Temperature Ratings by Seal Material for additional operating conditions (Appendix RA-5 on page RA-A5)

NOTE:

- Please refer to Appendix RA-8 on page RA-A8 for installation instructions

CAUTION: • Not recommended for use with diesel fuel, gasoline, ethylene glycol (antifreeze), polyglycols, ethyl alcohol, methyl alcohol, methyl ethyl ketone (MEK), acetone, isopropanol, water exceeding 194°F (90°C), steam, acidic, caustic and volatile fluids



G613 Series	
A inches (mm)	B inches (mm)
3.00 (76.20)	1.28 (32.51)
4.00 (101.60)	2.28 (57.91)
5.00 (127.00)	3.28 (83.31)
6.00 (152.40)	4.28 (108.71)
7.00 (177.80)	5.28 (134.11)
8.00 (203.20)	6.28 (159.51)
9.00 (228.60)	7.28 (184.91)
10.00 (254.00)	8.28 (210.31)
11.00 (279.40)	9.28 (235.71)
12.00 (304.80)	10.28 (261.11)



NOTE: All dimensions are inches [mm]

ORDERING OPTIONS CODES:

BODY MATERIAL

- A- Aluminum end blocks (standard)
- B- Brass end blocks (optional)

SEAL MATERIAL

- 1- Buna N seals (standard)
- 2- Butyl seals (optional)
- 3- Viton® seals (optional)
- 4- Ethylene propylene seals (optional)

HOW TO ORDER

EXAMPLE:

G613-05-A-1 — Buna N Seals
 Aluminum end blocks
 5.00 (127.00 mm) mounting centers
 Series G613

Dimensions and specifications are subject to change without notice. Not all items are Made-To-Stock, contact us for availability.

02/14

Ph : 920-682-6877
 Fx : 920-684-7210



sales@ldi-industries.com
 www.ldi-industries.com