

SIGHT GAGES - CLOSED CIRCUIT

G605 SERIES

The G605 Series front mount closed circuit sight gages provide front viewing of the fluid level clearly delineated by a redline on white background integral to the glass sight all secured within an aluminum body. HIGH-LOW markings are stamped into the aluminum body.

Standard Features:

- Front mount
- Fluid level visible from front of gage (.50 inches wide)
- Viewing enhanced by redline on white background integral to sight glass
- Suitable for use with most hydraulic and machine lubricating oils

Standard Materials:

- Aluminum gage body and mounting bolts
- Buna N seals
- Borosilicate glass sight
- Zinc plated, steel locknuts

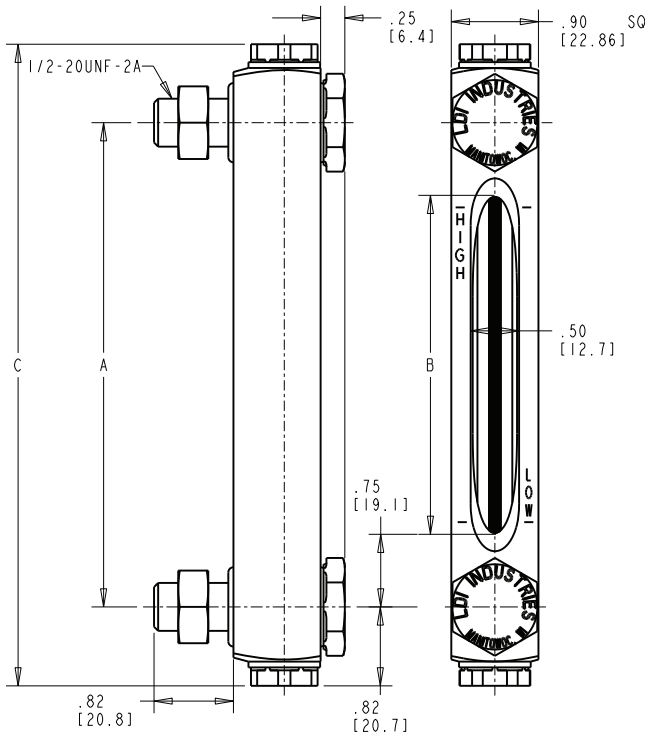
Temperature and Pressure Ratings:

- Please refer to Appendix RA-1 on page RA-A1 for Sight Opening & Pressure Rating information
- Please refer to Temperature Ratings by Seal Material for additional operating conditions (Appendix RA-5 on page RA-A5)

NOTE:

- Please refer to Appendix RA-2 on page RA-A2 for installation instructions

CAUTION: • Not recommended for use with water, steam, acidic fluids, caustic fluids and volatile fluids
• If aluminum construction is selected for a water application, anodizing is recommended



NOTE: All dimensions are inches [mm]

G605 Series		
A inches (mm)	B inches (mm)	C inches (mm)
3.00 (76.20)	1.50 (38.10)	4.62 (117.35)
4.00 (101.60)	2.50 (63.50)	5.62 (142.75)
5.00 (127.00)	3.50 (88.90)	6.62 (168.15)
6.00 (152.40)	4.50 (114.30)	7.62 (193.55)
7.00 (177.80)	5.50 (139.70)	8.62 (218.95)
8.00 (203.20)	6.50 (165.10)	9.62 (244.35)
9.00 (228.60)	7.50 (190.50)	10.62 (269.75)
10.00 (254.00)	8.50 (215.90)	11.62 (295.15)
11.00 (279.40)	9.50 (241.30)	12.62 (320.55)
12.00 (304.80)	10.50 (266.70)	13.62 (345.95)



NOTE: The sight opening in all cases is 1.50 inches (38.10mm) less than mounting centers and overall length is 1.62 inches (41.15mm) greater than mounting centers. Gages with 13.00 inch (330.20mm) and greater mounting centers are furnished with spacer sleeves to space gage from tank allowing for bowing of the tank wall in larger reservoirs. Center mounting kits are furnished with gages 48.00 inches (1219.20mm) and greater mounting centers.

ORDERING OPTIONS CODES:

BODY MATERIAL

- A- Aluminum gage body (standard)
- B- Brass gage body (optional)
- S- Steel gage body (optional)
- Y- Stainless Steel gage body (optional)

SEAL MATERIAL

- 1- Buna N seals (standard)
- 2- Butyl seals (optional)
- 3- Viton® seals (optional)
- 4- Ethylene propylene seals (optional)
- 10- Neoprene seals (optional)

HOW TO ORDER

EXAMPLE:

G605-05-A-1 — Buna N Seals
Aluminum gage body
5.00 (127.00 mm) mounting centers
Series G605

Dimensions and specifications are subject to change without notice. Not all items are Made-To-Stock, contact us for availability.

02/14

Ph : 920-682-6877
Fx : 920-684-7210



sales@ldi-industries.com
www.ldi-industries.com