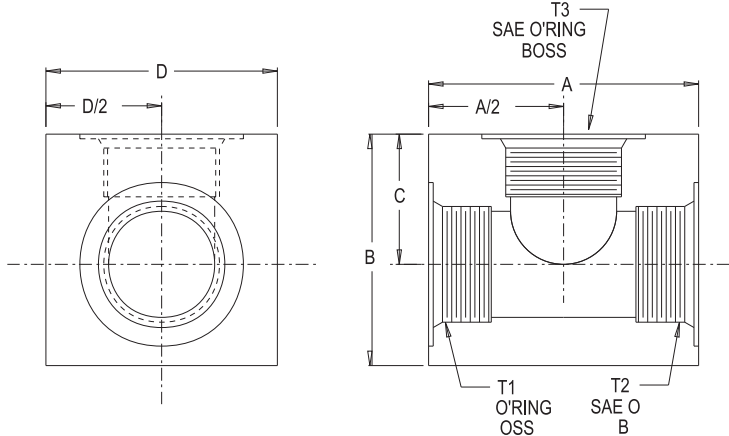
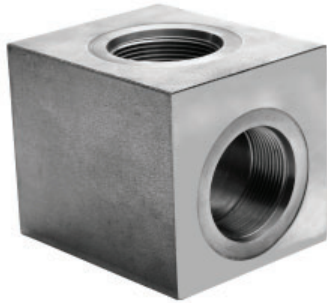


COUPLING & FLANGE CONNECTIONS

SAE COUPLINGS (CONT'D)

SAE STRAIGHT THREAD TEE COUPLING



Material: 1117 CRS

Thread Tee Coupling										
Part No.	SAE Dash Size			Dimensions						
	T1	T2	T3	T1	T2	T3	A inches	B inches	C inches	D inches
1040	2 1/2-12	2 1/2-12	2 1/2-12	-32	-32	-32	5.00	4.00	2.19	4.00
1041	2 1/2-12	2 1/2-12	1 7/8-12	-32	-32	-24	5.00	4.00	2.19	4.00
1043	2 1/2-12	1 7/8-12	1 7/8-12	-32	-24	-24	5.00	4.00	2.19	4.00
1045	1 7/8-12	1 7/8-12	1 7/8-12	-24	-24	-24	4.12	3.50	2.00	3.50
1048	1 7/8-12	1 5/8-12	1 5/8-12	-24	-20	-20	4.12	3.50	2.00	3.50
1050	1 5/8-12	1 5/8-12	1 5/8-12	-20	-20	-20	3.50	2.75	1.62	2.75
1051	1 5/8-12	1 5/8-12	1 5/16-12	-20	-20	-16	3.50	2.75	1.62	2.75
1052	1 5/8-12	1 5/16-12	1 5/8-12	-20	-16	-20	3.50	2.75	1.62	2.75
1053	1 5/8-12	1 5/16-12	1 5/16-12	-20	-16	-16	3.50	2.75	1.62	2.75
1054	1 5/16-12	1 5/16-12	1 5/8-12	-16	-16	-20	3.25	2.50	1.50	2.50
1055	1 5/16-12	1 5/16-12	1 5/16-12	-16	-16	-16	3.25	2.50	1.50	2.50
1056	1 5/16-12	1 5/16-12	1 1/16-12	-16	-16	-12	3.25	2.50	1.50	2.50
1060	1 1/16-12	1 1/16-12	1 1/16-12	-12	-12	-12	3.00	2.12	1.31	2.12
1070	3/4-16	3/4-16	3/4-16	-8	-8	-8	2.62	1.75	1.12	1.75
1075	9/16-18	9/16-18	9/16-18	-6	-6	-6	2.62	1.75	1.12	1.75

Dimensions and specifications are subject to change without notice. Not all items are Made-To-Stock, contact us for availability.

02/14

Ph : 920-682-6877
Fx : 920-684-7210



sales@ldi-industries.com
www.ldi-industries.com