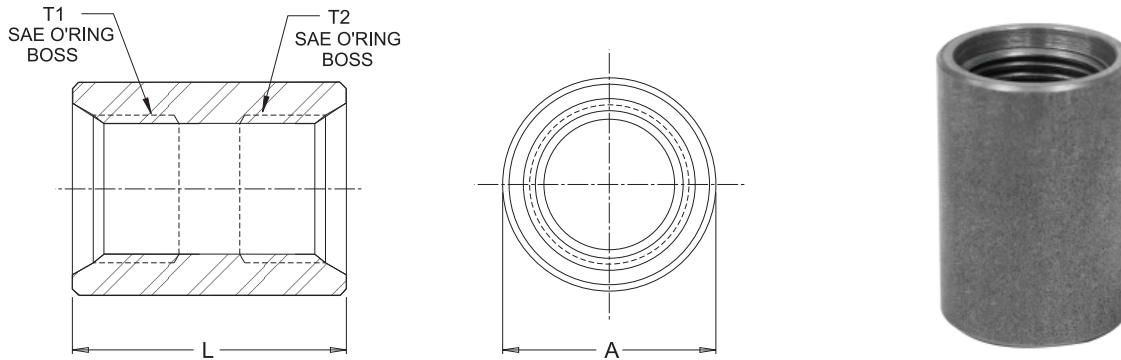


# COUPLING & FLANGE CONNECTIONS

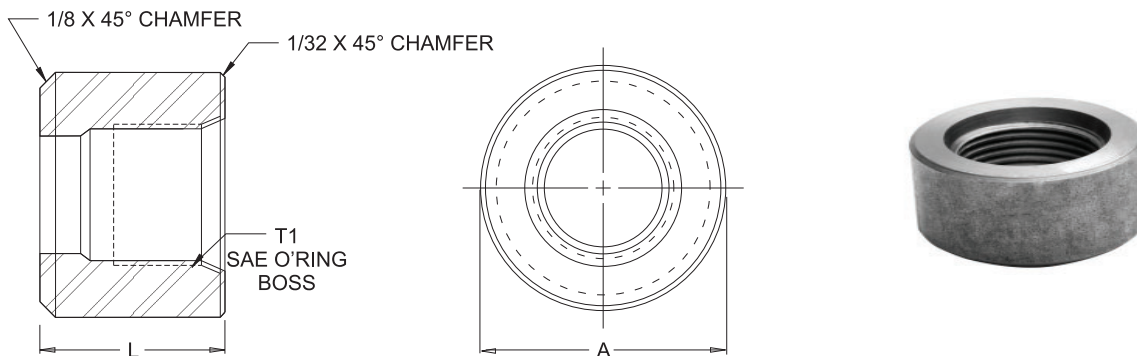
## SAE COUPLINGS (CONT'D)

### SAE O-RING BOSS FULL COUPLING



SAE O-Ring Boss Full Coupling						
Steel Part No.	L Length inches	A Dia inches	T1	T1 SAE Dash Size	T2	T2 SAE Dash Size
1020	1.500	.875	7/16-20	-4	7/16-20	-4
1021	1.375	1.000	9/16-18	-6	9/16-18	-6
1022	1.500	1.250	3/4-16	-8	3/4-16	-8
1023	1.750	1.500	7/8-14	-10	7/8-14	-10
1024	2.000	1.625	1 1/16-12	-12	1 1/16-12	-12
1026	2.000	2.000	1 5/16-12	-16	1 5/16-12	-16
1027	2.500	2.500	1 5/8-12	-20	1 5/8-12	-20
1028	2.500	2.500	1 7/8-12	-24	1 7/8-12	-24
1029	2.750	3.250	2 1/2-12	-32	2 1/2-12	-32

### SAE HALF COUPLING



SAE Half Coupling					
Steel Part No.	Stainless Steel Part No.	L Length inches	A Diameter inches	T1 thread	T1 SAE Dash Size
6206	8906	.750	.875	7/16-20	-4
6207	—	.750	1.000	1/2-20	-5
6208	8908	.750	1.000	9/16-18	-6
6209	8909	.750	1.250	3/4-16	-8
6210	8910	.875	1.500	7/8-14	-10
6211	8911	1.000	1.625	1 1/16-12	-12
6213	8913	1.250	2.000	1 5/16-12	-16
6214	8914	1.250	2.500	1 5/8-12	-20
6215	8915	1.250	2.500	1 7/8-12	-24
6216	8916	1.375	3.250	2 1/2-12	-32

Dimensions and specifications are subject to change without notice. Not all items are Made-To-Stock, contact us for availability.

02/14

Ph : 920-682-6877  
Fx : 920-684-7210



sales@ldi-industries.com  
www.ldi-industries.com