

# BREATHERS & FILLER BREATHERS

## SERIES AB

### WITH POLYESTER, PAPER OR WIRE MESH ELEMENT

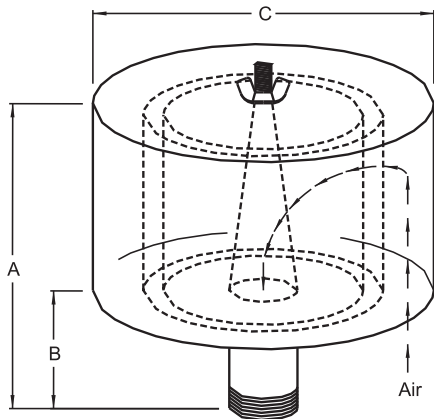
Air Breathers stop airborne dirt from entering the reservoir as the oil is removed. They allow the reservoir to breathe with clean, filtered air as the oil level changes.

#### Standard Features:

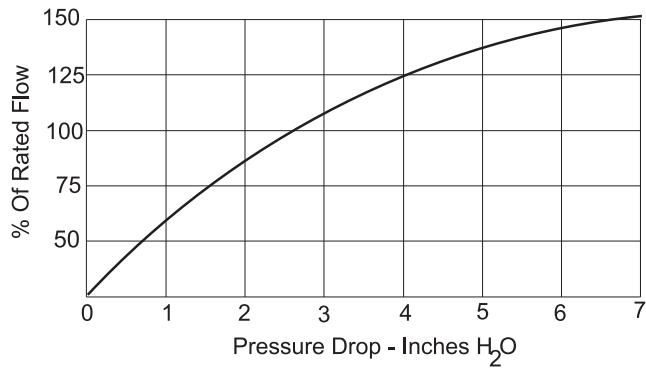
- Fully drawn weatherhood -- no welds to rust or vibrate apart
- Low entry velocity air gap between base and cover
- Heavy gauge base with low pressure drop outlet pipe and center bracket design
- Interchangeable elements
- Center bracket located for minimal flow restriction

#### Standard Materials:

- Durable carbon steel construction with powder coat finish



Normal Flow Curve



#### AB Series

Polyester Element	Part No. Paper Element	Wire Mesh Element	Effective Surface Area of Element in Square Feet		Application CFM		NPT Connection (inch)	Dimensions (inches)		
			Polyester	Paper	Pulsating Flow	Continuous Flow		A	B	C
AB-E19P-125	AB-E18P-125	AB-E18S-125	1.5	3.0	60	80	1 1/4	6.50	1.50	6.00
AB-E19P-150	AB-E18P-150	AB-E18S-150	1.5	3.0	60	80	1 1/2	6.50	1.50	6.00
AB-E31P-200	AB-E30P-200	AB-E30S-200	2.3	5.7	60	135	2	7.25	2.25	7.75
AB-E31P-250	AB-E30P-250	AB-E30S-250	2.3	5.7	80	195	2 1/2	7.50	2.50	7.75
AB-E231P-300	AB-E230P-300	AB-E230S-300	4.5	10.9	300	300	3	13.00	3.00	10.00

Dimensions and specifications are subject to change without notice. Not all items are Made-To-Stock, contact us for availability.

02/14

Ph : 920-682-6877  
Fx : 920-684-7210



sales@ldi-industries.com  
www.ldi-industries.com

# BREATHERS & FILLER BREATHERS

## SERIES AB REPLACEMENT ELEMENTS

Air Breathers stop airborne dirt from entering the reservoir as the oil is removed. They allow the reservoir to breathe with clean, filtered air as the oil level changes.

### Standard Features - Polyester Elements:

- Pleated industrial needle felt polyester media
- Reinforced with epoxy coated steel wire on both sides of the media
- Washable with warm water and mild detergent
- Dust loading capacity is increased 40-50% with prefilter "P" designation at end of element part number
- 5 micron, 99% efficiency

### Standard Features - Paper Elements:

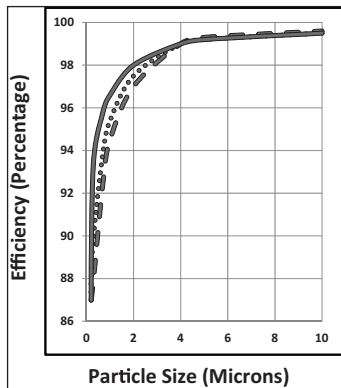
- Heavy duty industrial strength paper surrounded by heavy gauge galvanized expanded metal
- Lightly blow out media to clean
- Dust loading capacity is increased 40-50% with prefilter "P" designation at end of element part number
- 2 micron, 99% efficiency

### Standard Features - Wire Mesh:

- Handles hot air and oil mist from unload cycle of reciprocating/piston compressor
- More durable than paper media
- Moisture resistant
- Epoxy coated wire mesh pleated media

### Temperature Rating:

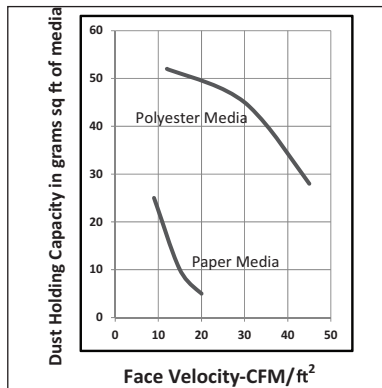
- Temperature range -26° F to 220° F (-15° C to 104°C)



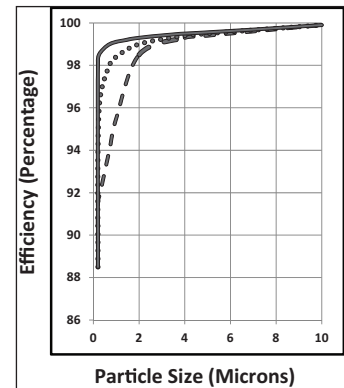
**Polyester Media Efficiency Chart**

Particle Size vs. Filter Efficiency  
Polyester Media at Indicated Face Velocity:

- 15 CFM/ft<sup>2</sup> media —————
- 30 CFM/ft<sup>2</sup> media - - - - -
- 45 CFM/ft<sup>2</sup> media - - - - -



**Face Velocity-CFM/ft<sup>2</sup>  
Dust Holding Capacity**



**Paper Media Efficiency Chart**

Particle Size vs. Filter Efficiency  
Paper Media at Indicated Face Velocity:

- 10 CFM/ft<sup>2</sup> media —————
- 15 CFM/ft<sup>2</sup> media - - - - -
- 20 CFM/ft<sup>2</sup> media - - - - -

**NOTE:** Efficiency charts are based on SAE Fine Dust Tests



### AB Series Replacement Elements

Polyester Element	Part No. Paper Element	Wire Mesh Element	Flow CFM	Effective Surface Area of Element in Square Feet		Dimensions (inches)		
				Polyester	Paper	ID	OD	HT
<b>E19P</b>	<b>E18P</b>	<b>E18S</b>	100	1.5	3.0	3.00	4.75	4.75
<b>E31P</b>	<b>E30P</b>	<b>E30S</b>	195	2.3	5.7	3.38	5.75	4.75
<b>E231P</b>	<b>E230P</b>	<b>E230S</b>	300	4.5	10.9	3.75	5.75	9.50

Dimensions and specifications are subject to change without notice. Not all items are Made-To-Stock, contact us for availability.

09/15

Ph : 920-682-6877  
Fx : 920-684-7210



sales@ldi-industries.com  
www.ldi-industries.com