

# ACCESS COVERS

## CAST BOLT MOUNT — DIN TYPE

DIN Type access covers (Cleanout Covers) are designed to allow access into a dry (drained) reservoir for cleaning, inspection or mounting of components inside of the reservoir.

### Standard Features:

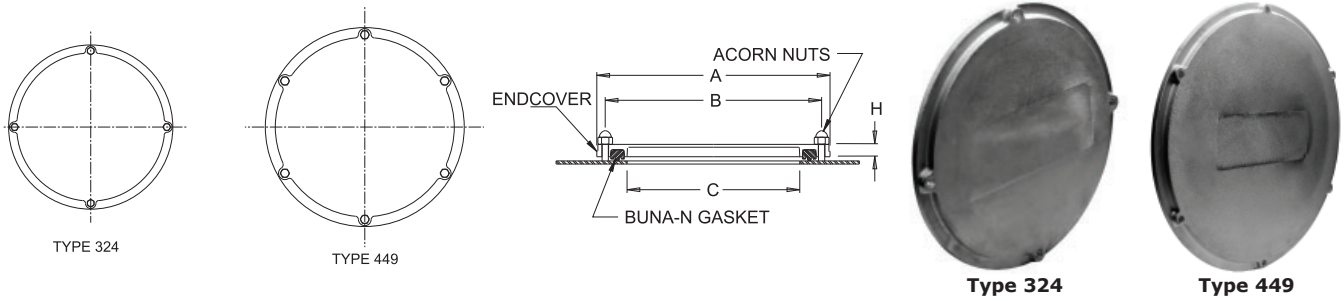
- Multi-bolt mounting for positive sealing
- Available in two sizes
- Does not require a baffle for mounting
- Buna N gasket

### Standard Material:

- Cast Aluminum

### NOTES:

- Recommended Torque = 35 in-lb



Access Covers: Cast Bolt Mount - DIN Type

Access Cover Type	*Access Cover Kit No. For All Parts	M10 Acorn Nut Part No.	DIN Type Access Cover Gaskets (Buna N) Part No.	DIN Type Access Cover Part No.	A Dia inches (mm)	B BC inches (mm)	C Cutout inches (mm)	H inches (mm)
324	136699	108499	V-6701	DIN324	13.78 (350)	12.75 (324)	9.76 (248)	.70 (18)
449	136799	108499	V-6702	DIN449	18.70 (475)	17.68 (449)	15.08 (383)	.70 (18)

\*NOTE: Access cover kit includes- (1) DIN type door, (1) Buna N gasket, (4) or (6) acorn nuts. Access cover includes (1) DIN type door and (1) Buna N gasket

## MULTIPLE BOLT ACCESS COVERS

Multiple Bolt Access Cover (Cleanout Cover) are designed to allow access into a dry (drained) reservoir for cleaning, inspection or mounting of components inside of the reservoir.

### Standard Features:

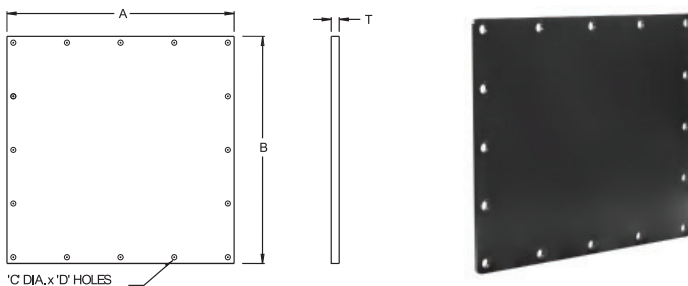
- Multi-bolt mounting bolts for positive sealing
- Larger access hole in the reservoir
- Available in different sizes
- Does not require a baffle for mounting

### Standard Material:

- Carbon Steel

### NOTES:

- Recommended Torque = 25 ft-lb



Multiple Bolt Access Cover

Access Cover Size (inches)	Access Hole Size (inches)	Part No.	A (inches)	B (inches)	C (inches)	Qty D	T	Buna N Gasket Part No.
18x18	16x16	5334	18.00	18.00	.44	16	.25	5335
12x14	10x12	5283	14.00	12.00	.44	16	.25	5079
24x24	20x20	5338	24.00	24.00	.44	24	.25	5339

Dimensions and specifications are subject to change without notice. Not all items are Made-To-Stock, contact us for availability.

05/16

Ph : 920-682-6877  
Fx : 920-684-7210



sales@ldi-industries.com  
www.ldi-industries.com