

# ACCESS COVERS

## BAFFLE MOUNT — STEEL AND STAINLESS STEEL

Access Covers (Cleanout Covers) are designed to allow access into a dry (drained) reservoir for cleaning, inspection or mounting of components inside of the reservoir.

### Standard Features:

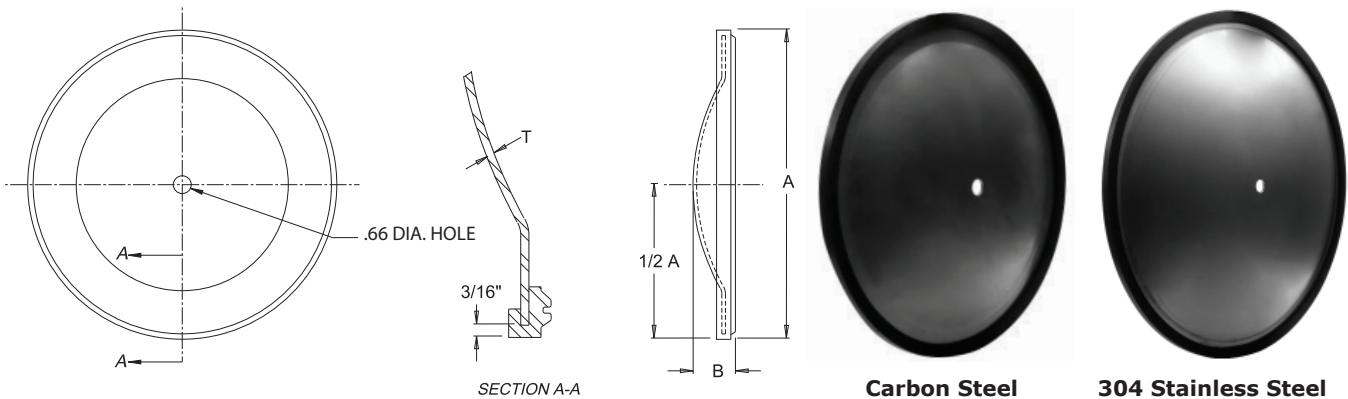
- Center clearance hole for mounting bolt
- With or without drain connection
- Buna N lip gasket
- Reference Spec Sheet for Access Cover kits that includes the mounting hardware

### Standard Materials:

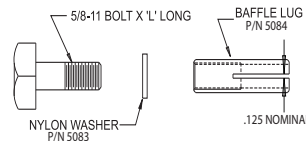
- Carbon Steel
- 304 Stainless Steel

### NOTE:

- Recommended Torque = 15 ft-lb



**NOTE:** All dimensions are inches



Access Covers: Baffle Mount - Steel						
Access Cover Size (inches)	*Kit w/o Drain Part No.	*Kit with 3/4 inch NPT Drain Part No.	†Cover Only w/o Drain Part No.	†Cover Only with Drain Part No.	*Kit with SAE-12 Drain Part No.	†Cover Only with SAE-12 Drain Part No.
10	5067	5068	5070	5072	5053-D	5053
12	5080	5080-D	5085	5086-D	5054-D	5054
14	5065	5066	5071	5073	5055-D	5055
16	5087	5087-D	5089	5090-D	5056-D	5056
18	5091	5091-D	5095	5094-D	5057-D	5057

Access Covers: Baffle Mount - Stainless Steel				
Access Cover Size (inches)	*Kit w/o Drain Part No.	*Kit with 3/4 inch NPT Drain Part No.	†Cover Only w/o Drain Part No.	†Cover Only with Drain Part No.
10	5067-SS	5067-D-SS	5070-SS	5072-D-SS
12	5080-SS	5080-D-SS	5085-SS	5085-D-SS
14	5065-SS	5065-D-SS	5071-SS	5071-D-SS
16	5087-SS	5087-D-SS	5089-SS	5089-D-SS
18	5091-SS	5091-D-SS	5095-SS	5095-D-SS

Access Cover Dimensions (inches)					
Access Cover Size	A	*B	T	L	Access Hole Dia.
10	10.75	1.50	11 GA	1.25	8
12	12.50	1.81	7 GA	1.75	10
14	14.12	1.81	8 GA	1.75	12
16	16.06	2.25	7 GA	2.00	14
18	18.50	2.62	7 GA	2.50	16

\* All "B" dimensions are reference only

\*NOTE: Access Cover Kit includes - (1) access cover, (1) Buna N gasket, (1) 5/8-11 bolt, (1) Nylon washer, (1) baffle lug

†NOTE: Access Cover only includes - (1) access cover, (1) Buna N gasket

Dimensions and specifications are subject to change without notice. Not all items are Made-To-Stock, contact us for availability.

11/16

Ph : 920-682-6877  
Fx : 920-684-7210



sales@ldi-industries.com  
www.ldi-industries.com