

HORIZONTAL RESERVOIRS

T100 SERIES

The non-JIC type horizontal steel reservoirs come fully assembled with sight gage, filler breather and bolt on top. The larger capacity reservoirs in this series utilize a baffle that reduces direct recirculation of fluid returning to the reservoir. The design incorporates a raised, flat bottom profile with mounting feet and drain connections beneath the reservoir body. No cover gasket is used on this design.

Standard Features:

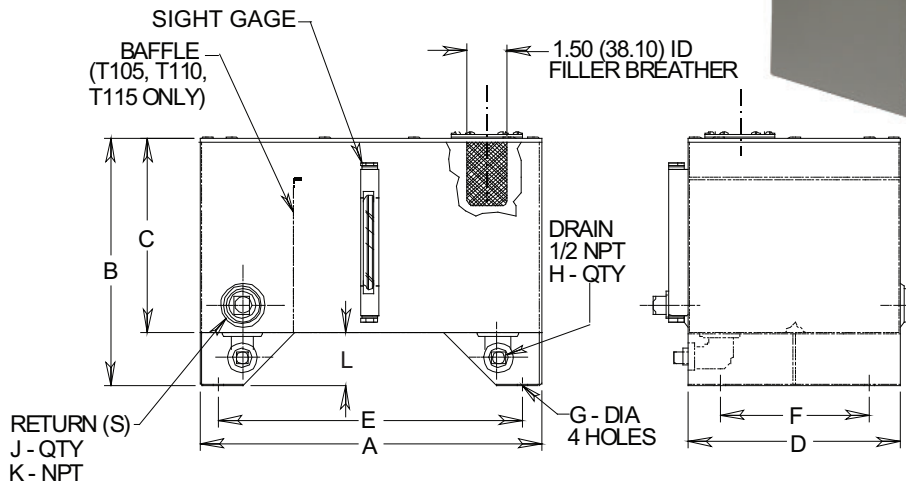
1. Reservoir capacities ranging from 1 to 15 gallons
2. Internal baffle (reservoirs capacities > 2 gallons only)
3. Removable, bolt on top suitable for mounting motors, pumps and other components
4. Reservoir bottom is flat
5. 1/2 NPT drain(s) with plug(s)
6. Exterior painted with a LDI gray primer
7. Interior coated with rust preventative oil
8. G610 Series sight gage
9. No cover gasket is utilized
10. Materials
 - Carbon steel construction
 - Buna N seals
 - Aluminum sight gage
 - Zinc plated fill cap with stainless steel strainer basket

NOTE

- Drain plugs need to be sealed and tightened before use
- Industry accepted design practice for hydraulic systems limits maximum operating temperature to 180° F (82° C), but materials used for fabrication of the reservoirs are capable of operating between -40° and 250° F (-40° and 121° C)

CAUTION:

- Reservoirs are not designed for internal positive or negative pressure applications. For these applications, consult the factory.
- Metal contact between cover and reservoir body seal reservoir from outside contaminants. Excessive splashing of fluid or overfill may lead to fluid leakage past the metal to metal barrier.



NOTE: All dimensions are inches (mm)

Tank Dimensions in inches (mm)													
Capacity		Part No.	A	B	C	D	E	F	G	H Qty	J Qty	K NPT	L
Gallons	Liters												
1	3.8	T101	6.00 (152.40)	10.00 (254.00)	7.75 (196.85)	7.50 (190.50)	4.75 (120.65)	6.25 (158.75)	.34 (8.64)	1	0	0	2.25 (57.15)
2	7.6	T102	10.00 (254.00)	10.00 (254.00)	7.75 (196.85)	7.50 (190.50)	8.75 (222.25)	6.25 (158.75)	.34 (8.64)	1	1	1/2	2.25 (57.15)
5	18.9	T105	16.00 (406.40)	11.69 (296.93)	9.19 (233.43)	10.00 (254.00)	14.25 (361.95)	7.00 (177.80)	.53 (13.46)	2	2	1	2.50 (63.50)
10	37.9	T110	20.00 (508.00)	15.19 (385.83)	12.19 (309.63)	12.00 (304.80)	18.25 (463.55)	9.00 (228.60)	.53 (13.46)	2	2	1	3.00 (76.20)
15	56.8	T115	24.00 (609.60)	15.19 (385.83)	12.19 (309.63)	15.00 (381.00)	21.75 (552.45)	12.75 (323.85)	.53 (13.46)	2	2	1	3.00 (76.20)

Dimensions and specifications are subject to change without notice. Not all items are Made-To-Stock, contact us for availability.

01/18

Ph : 920-682-6877
Fx : 920-684-7210



sales@ldi-industries.com
www.ldi-industries.com