

# VERTICAL RESERVOIRS

## VARI-PAK SERIES - LARGE

### 8,10, & 14 GALLONS

A Vari-Pak Series reservoir is a variation of the the vertical series reservoirs. This series reservoir has a flat bottom that extends past the reservoir body to serve as the mounting surface of the reservoir. Custom, bolt-on cover configurations are available for mounting the most common system components such as filler breathers and motor adapters.

**Standard Features:**

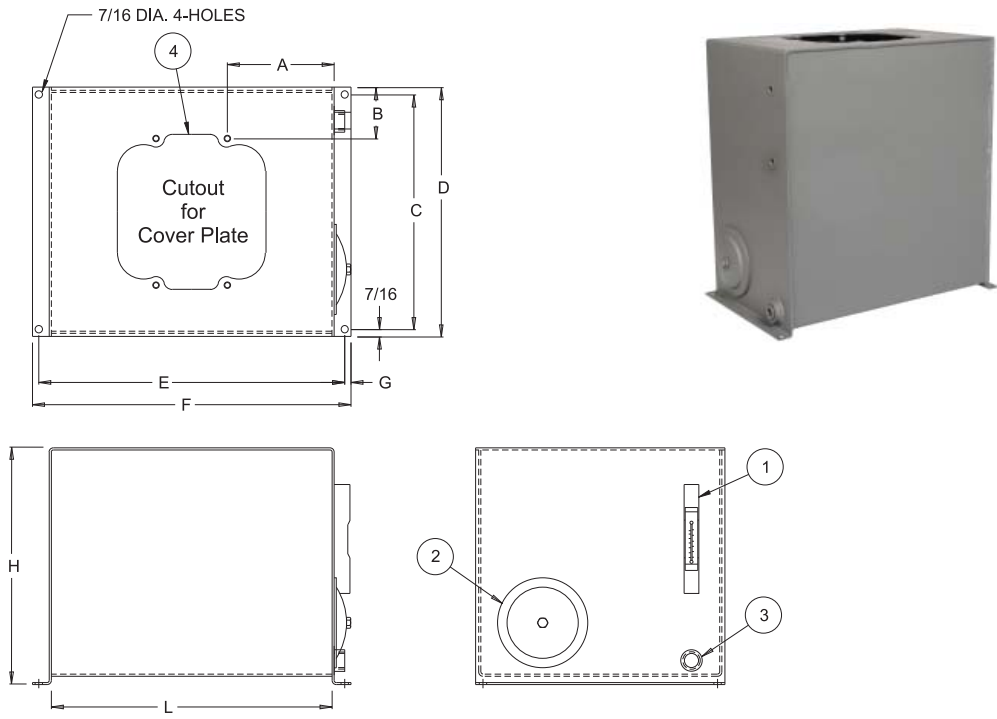
1. (1) 5 inch GT623 Series sight gage
2. 6 inch access cover
3. (1) 3/4 inch NPT drain with plug
4. Gasket for cover plate seal
5. Exterior painted with a LDI gray primer
6. Interior coated with rust preventative oil
7. Materials
  - Carbon steel construction
  - Transparent molded nylon sight gage with black powder coated steel guard
  - Buna N sight gage seals and access cover gasket
  - Neoprene flat cover plate gasket

**CAUTION:**

- Reservoirs are not designed for internal positive or negative pressure applications. For these applications, consult the factory.

**NOTE**

- Sight gage and hardware to mount a cover provided loose with reservoir
- Drain plugs need to be sealed and tightened before use
- Industry accepted design practice for hydraulic systems limits maximum operating temperature to 180° F (82° C), but materials used for fabrication of the reservoirs are capable of operating between -40° and 212° F (-40° and 100° C)
- Cover Plates - Series 4 ordered as separate items (see page 35)



**NOTE:** All dimensions are inches

Tank Dimensions (inches)											
Capacity (gal)	Part No.	A	B	C	D	E	F	G	H	L	Piece Weight (lbs)
8	V29908	5.00	1.62	11.12	12.00	13.38	14.25	.44	18.12	12.00	39
10	V29910	6.38	3.06	14.00	14.88	18.12	19.00	.44	14.12	16.75	47
14	V29914	7.00	1.62	11.12	12.00	19.38	20.25	.44	20.12	18.00	55

Dimensions and specifications are subject to change without notice. Not all items are Made-To-Stock, contact us for availability.

04/15

Ph : 920-682-6877  
Fx : 920-684-7210



sales@ldi-industries.com  
www.ldi-industries.com